



N Male to TNC Male Low Loss Cable Using LMR-200 Coax with Times Microwave Components

TECHNICAL DATA SHEET

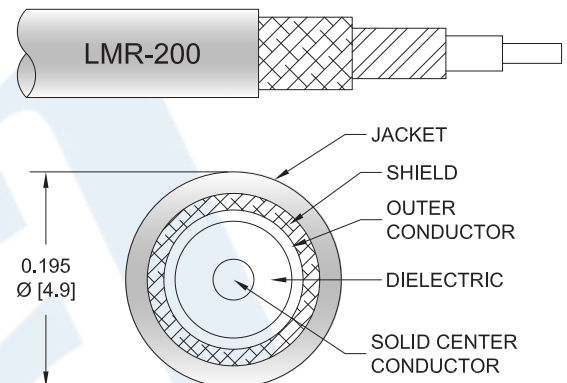
PE3C6879

Configuration

- Connector 1: N Male
- Connector 2: TNC Male
- Cable Type: LMR-200
- Coax Flex Type: Flexible

Features

- Max Frequency 5.8 GHz
- Shielding Effectivity > 90 dB
- 83% Phase Velocity
- Double Shielded
- PE Jacket



Applications

- General Purpose
- Laboratory Use

Description

Pasternack's PE3C6879 type N male to TNC male cable using LMR-200 coax is part of our full line of RF components available for same-day shipping. Pasternack's flexible RF cable assemblies are ideal for applications where tight bends and flexure are required. This Pasternack type N to TNC cable assembly has a male to male gender configuration with 50 ohm flexible LMR-200 coax. The PE3C6879 type N male to TNC male cable assembly operates to 5.8 GHz. The double shielding of this Pasternack cable assembly provides excellent shielding effectiveness of better than 90 dB.

Custom versions of most RF cable assemblies can be built and shipped same day. Custom cable assembly lengths can be obtained by specifying the desired length on the web site at time of order or by contacting a sales representative. Other available RF cable assembly value added services include connector orientation or clocking, heat shrink booting and custom labeling. RF testing can also be performed to document the electrical performance of your cable assembly.

Click the following link (or enter part number in "SEARCH" on website) to obtain additional part information including price, inventory and certifications: [N Male to TNC Male Low Loss Cable Using LMR-200 Coax with Times Microwave Components PE3C6879](#)



N Male to TNC Male Low Loss Cable Using LMR-200 Coax with Times Microwave Components

TECHNICAL DATA SHEET

PE3C6879

Electrical Specifications

| Description | Minimum | Typical | Maximum | Units |
|-------------------------------|---------|--------------|---------|----------------------------------|
| Frequency Range | DC | | 5.8 | GHz |
| VSWR | | | 1.4:1 | |
| Velocity of Propagation | | 83 | | % |
| RF Shielding | 90 | | | dB |
| Group Delay | | 1.22 [4] | | ns/ft [ns/m] |
| Capacitance | | 24.5 [80.38] | | pF/ft [pF/m] |
| Inductance | | 0.061 [0.2] | | uH/ft [uH/m] |
| DC Resistance Inner Conductor | | 5.36 [17.59] | | Ω /1000ft [Ω /Km] |
| DC Resistance Outer Conductor | | 4.9 [16.08] | | Ω /1000ft [Ω /Km] |
| Jacket Spark | | | 3,000 | Vrms |

Specifications by Frequency

| Part Number | Length | Description | F1 | F2 | F3 | F4 | F5 | Units | Weight (lbs) |
|-------------|--------------------------|-----------------------|------|------|------|------|------|-------|--------------|
| | | Frequency | 250 | 500 | 1000 | 2500 | 5800 | MHz | |
| PE3C6879 | Custom Lengths Available | Insertion Loss (Typ.) | 0.05 | 0.07 | 0.1 | 0.16 | 0.26 | dB/ft | |
| | | | 0.17 | 0.23 | 0.33 | 0.53 | 0.86 | dB/m | |
| PE3C6879-24 | 24 inch | Insertion Loss (Typ.) | 0.25 | 0.31 | 0.4 | 0.58 | 0.86 | dB | 0.08 |
| PE3C6879-36 | 36 inch | Insertion Loss (Typ.) | 0.3 | 0.38 | 0.5 | 0.74 | 1.12 | dB | 0.1 |
| PE3C6879-48 | 48 inch | Insertion Loss (Typ.) | 0.35 | 0.45 | 0.6 | 0.9 | 1.38 | dB | 0.12 |
| PE3C6879-60 | 60 inch | Insertion Loss (Typ.) | 0.4 | 0.52 | 0.7 | 1.06 | 1.64 | dB | 0.14 |
| PE3C6879-72 | 72 inch | Insertion Loss (Typ.) | 0.45 | 0.59 | 0.8 | 1.22 | 1.9 | dB | 0.17 |

The insertion loss data for the base model does not include loss due to the connectors. Each length includes insertion loss due to the connectors.

| | |
|-----------------------------|-------------------------------------|
| Loss due to Connector 1: | 0.1 dB |
| Loss due to Connector 2: | $0.1 * \text{SQRT}(F\text{GHz})$ dB |
| Base Weight: | 0.056 pounds |
| Additional Weight per Inch: | 0.00184 pounds |

Mechanical Specifications

Cable Assembly

Weight 0.157 lbs [71.21 g]

Click the following link (or enter part number in "SEARCH" on website) to obtain additional part information including price, inventory and certifications: [N Male to TNC Male Low Loss Cable Using LMR-200 Coax with Times Microwave Components PE3C6879](#)



N Male to TNC Male Low Loss Cable Using LMR-200 Coax with Times Microwave Components

TECHNICAL DATA SHEET

PE3C6879

Cable

| | |
|--------------------------------------|------------------------|
| Cable Type | LMR-200 |
| Impedance | 50 Ohms |
| Inner Conductor Type | Solid |
| Inner Conductor Material and Plating | Copper |
| Dielectric Type | PE (F) |
| Number of Shields | 2 |
| Shield Layer 1 | Aluminum Tape |
| Shield Layer 2 | Tinned Copper Braid |
| Jacket Material | PE, Black |
| Jacket Diameter | 0.195 in [4.95 mm] |
| One Time Minimum Bend Radius | 0.5 in [12.7 mm] |
| Repeated Minimum Bend Radius | 2 in [50.8 mm] |
| Bending Moment | 0.2 lbs-ft [0.27 N-m] |
| Flat Plate Crush | 15 lbs/in [0.27 Kg/mm] |
| Tensile Strength | 40 lbs [18.14 Kg] |

Connectors

| Description | Connector 1 | Connector 2 |
|-----------------------------------|------------------|------------------------|
| Type | N Male Threaded | TNC Male Threaded |
| Specification | MIL-STD-348 | MIL-STD-348 |
| Impedance | 50 Ohms | 50 Ohms |
| Contact Material and Plating | Brass, Gold | Beryllium Copper, Gold |
| Dielectric Type | PTFE | PTFE |
| Body Material and Plating | Brass, Tri-Metal | Brass, Tri-Metal |
| Coupling Nut Material and Plating | Phosphor Bronze | Brass, Tri-Metal |
| Hex Size | 13/16 Inch | 8-May Inch |

Environmental Specifications

Temperature

Operating Range -40 to +85 deg C

Compliance Certifications (see [product page](#) for current document)

Plotted and Other Data

Notes:

Click the following link (or enter part number in "SEARCH" on website) to obtain additional part information including price, inventory and certifications: [N Male to TNC Male Low Loss Cable Using LMR-200 Coax with Times Microwave Components PE3C6879](#)



N Male to TNC Male Low Loss Cable Using LMR-200 Coax with Times Microwave Components

TECHNICAL DATA SHEET

PE3C6879

How to Order

Part Number Configuration:

PE3C6879

- **xx**

uu

Unit of Measure:

cm = Centimeters

<blank> = Inches

Length

Base Number

Example: PE3C6879-12 = 12 inches long cable
PE3C6879-100cm = 100 cm long cable

N Male to TNC Male Low Loss Cable Using LMR-200 Coax with Times Microwave Components from Pasternack Enterprises has same day shipment for domestic and International orders. Our RF, microwave and millimeter wave products maintain a 99.4% availability and are part of the broadest selection in the industry.

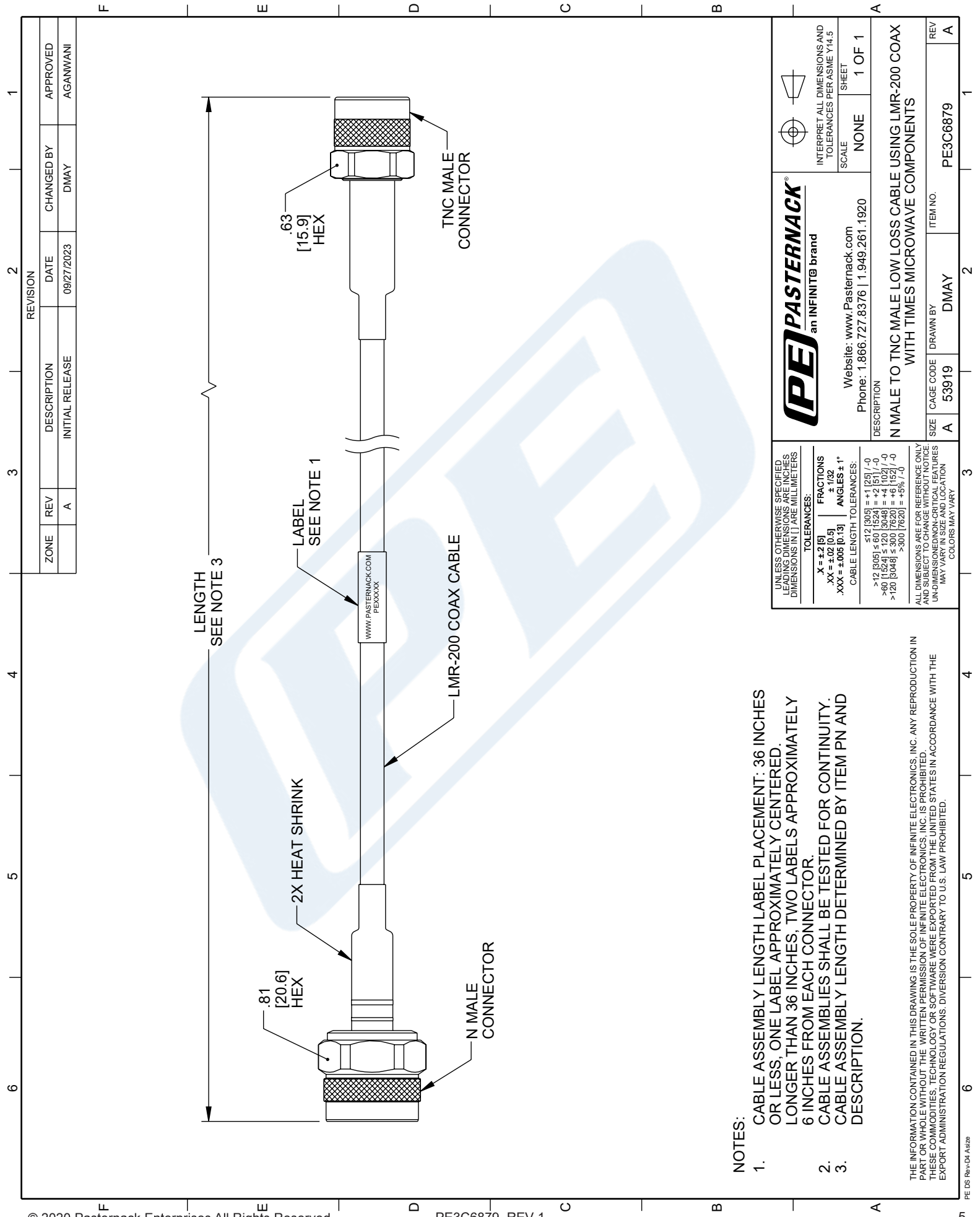
Click the following link (or enter part number in "SEARCH" on website) to obtain additional part information including price, inventory and certifications: [N Male to TNC Male Low Loss Cable Using LMR-200 Coax with Times Microwave Components PE3C6879](#)

URL: <https://www.pasternack.com/n-male-to-tnc-male-low-loss-cable-using-lmr-200-pe3c6879-p.aspx>

The information contained in this document is accurate to the best of our knowledge and representative of the part described herein. It may be necessary to make modifications to the part and/or the documentation of the part, in order to implement improvements. Pasternack reserves the right to make such changes as required. Unless otherwise stated, all specifications are nominal. Pasternack does not make any representation or warranty regarding the suitability of the part described herein for any particular purpose, and Pasternack does not assume any liability arising out of the use of any part or documentation.

PE3C6879 CAD Drawing

N Male to TNC Male Low Loss Cable Using LMR-200 Coax with Times Microwave Components



LENGTH
SEE NOTE 3

.81
[20.6]
HEX

2X HEAT SHRINK

LABEL
SEE NOTE 1

WWW.PASTERNAK.COM
PEXXXX

LMR-200 COAX CABLE

TNC MALE
CONNECTOR

N MALE
CONNECTOR

NOTES:

1. CABLE ASSEMBLY LENGTH LABEL PLACEMENT: 36 INCHES OR LESS, ONE LABEL APPROXIMATELY CENTERED. LONGER THAN 36 INCHES, TWO LABELS APPROXIMATELY 6 INCHES FROM EACH CONNECTOR.
2. CABLE ASSEMBLIES SHALL BE TESTED FOR CONTINUITY.
3. CABLE ASSEMBLY LENGTH DETERMINED BY ITEM PN AND DESCRIPTION.

THE INFORMATION CONTAINED IN THIS DRAWING IS THE SOLE PROPERTY OF INFINITE ELECTRONICS, INC. ANY REPRODUCTION IN PART OR WHOLE WITHOUT THE WRITTEN PERMISSION OF INFINITE ELECTRONICS, INC. IS PROHIBITED. THESE COMMODITIES, TECHNOLOGY OR SOFTWARE WERE EXPORTED FROM THE UNITED STATES IN ACCORDANCE WITH THE EXPORT ADMINISTRATION REGULATIONS. DIVERSION CONTRARY TO U.S. LAW PROHIBITED.

| | |
|--|---|
| UNLESS OTHERWISE SPECIFIED, LEADING DIMENSIONS ARE IN INCHES. DIMENSIONS IN [] ARE IN MILLIMETERS. | |
| TOLERANCES: | FRACTIONS |
| .X ± .02 [0.5] | ± .732 |
| .XX ± .005 [0.13] | ANGLES ± 1° |
| .XXX ± .000 [0.025] | CABLE LENGTH TOLERANCES: |
| | <12 [305] ± .1 [2.5] / -0 |
| | >12 [305] ≤ 60 [1524] ± .2 [5.1] / -0 |
| | >60 [1524] ≤ 120 [3048] ± .4 [10.2] / -0 |
| | >120 [3048] ≤ 300 [7620] ± .6 [15.2] / -0 |
| | >300 [7620] ± .5% / -0 |
| ALL DIMENSIONS ARE FOR REFERENCE ONLY. UNDIMENSIONED NON-CRITICAL FEATURES MAY VARY IN SIZE AND LOCATION. COLORS MAY VARY. | |

PE PASTERNAK
an INFINIT@ brand

Website: www.Pasternack.com
Phone: 1.866.727.8376 | 1.949.261.1920

DESCRIPTION
N MALE TO TNC MALE LOW LOSS CABLE USING LMR-200 COAX WITH TIMES MICROWAVE COMPONENTS

| | | | |
|------|-----------|----------|----------|
| SIZE | CAGE CODE | DRAWN BY | ITEM NO. |
| A | 53919 | DMAY | PE3C6879 |

| | | |
|--|-------|--------|
| INTERPRET ALL DIMENSIONS AND TOLERANCES PER ASME Y14.5 | SHEET | 1 OF 1 |
| SCALE | NONE | |