



Plenum 7/16 DIN Female to N Male Low PIM Cable Using SPP-375-LLPL Coax with Times Microwave Components

RF Cable Assemblies Technical Data Sheet

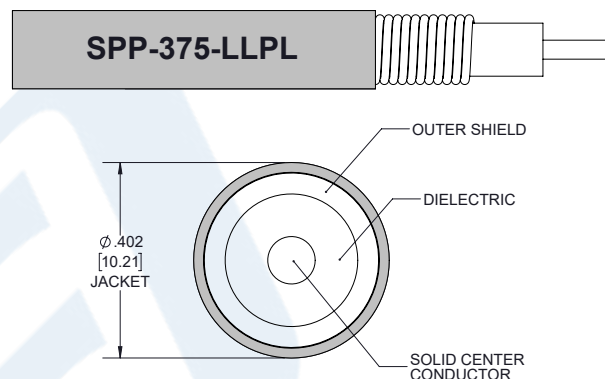
PE3C7744

Configuration

- Connector 1: 7/16 DIN Female
- Connector 2: N Male
- Cable Type: SPP-375-LLPL

Features

- Max Frequency 5.8 GHz
- Low PIM: -160 dBc Max
- Shielding Effectivity > 100 dB
- 76% Phase Velocity
- FEP Jacket



Applications

- General Purpose
- Laboratory Use
- Low PIM Applications

Description

Pasternack's PE3C7744 7/16 DIN female to type N male cable using SPP-375-LLPL coax is part of our full line of RF components available for same-day shipping. Pasternack's corrugated RF cable assemblies are ideal for applications where durability and high power are needed. This Pasternack 7/16 DIN to type N cable assembly has a female to male gender configuration with 50 ohm corrugated SPP-375-LLPL coax. The PE3C7744 7/16 DIN female to type N male cable assembly operates to 5.8 GHz. Our low PIM design also offers excellent passive intermodulation performance with PIM levels better than -160 dBc.

Custom versions of most RF cable assemblies can be built and shipped same day. Custom cable assembly lengths can be obtained by specifying the desired length on the web site at time of order or by contacting a sales representative. Other available RF cable assembly value added services include connector orientation or clocking, heat shrink booting and custom labeling. RF testing can also be performed to document the electrical performance of your cable assembly.

Electrical Specifications

Description	Minimum	Typical	Maximum	Units
Frequency Range	DC		5.8	GHz
VSWR			1.4:1	
Velocity of Propagation		76		%
RF Shielding	100			dB
Passive Intermodulation			-160	dBc

Click the following link (or enter part number in "SEARCH" on website) to obtain additional part information including price, inventory and certifications: [Plenum 7/16 DIN Female to N Male Low PIM Cable Using SPP-375-LLPL Coax with Times Microwave Components PE3C7744](#)



Plenum 7/16 DIN Female to N Male Low PIM Cable Using SPP-375-LLPL Coax with Times Microwave Components

RF Cable Assemblies Technical Data Sheet

PE3C7744

Capacitance	26.2 [85.96]	pF/ft [pF/m]
Inductance	0.067 [0.22]	uH/ft [uH/m]
DC Resistance Inner Conductor	1.3 [4.27]	Ω/1000ft [Ω/Km]

Specifications by Frequency

Description	F1	F2	F3	F4	F5	Units
Frequency	0.25	0.5	1	2.5	5.8	GHz
Insertion Loss (Typ.)	0.023	0.028	0.038	0.064	0.102	dB/ft
	0.08	0.09	0.12	0.21	0.33	dB/m

Electrical Specification Notes:

Insertion Loss does not include the loss of the connectors. Insertion Loss is estimated as 0.1 dB per connector.

Mechanical Specifications

Cable Assembly

Weight 0.298 lbs [135.17 g]

Cable

Cable Type SPP-375-LLPL
 Impedance 50 Ohms
 Inner Conductor Type Solid
 Inner Conductor Material and Plating Copper Clad Aluminum
 Dielectric Type Microporous PTFE
 Number of Shields 1
 Outer Conductor Material and Plating Copper
 Jacket Material FEP, Blue
 Jacket Diameter 0.402 in [10.21 mm]

One Time Minimum Bend Radius 1.25 in [31.75 mm]

Bending Moment 1.7 lbs-ft [2.31 N-m]

Click the following link (or enter part number in "SEARCH" on website) to obtain additional part information including price, inventory and certifications: [Plenum 7/16 DIN Female to N Male Low PIM Cable Using SPP-375-LLPL Coax with Times Microwave Components PE3C7744](#)



Plenum 7/16 DIN Female to N Male Low PIM Cable Using SPP-375-LLPL Coax with Times Microwave Components

RF Cable Assemblies Technical Data Sheet

PE3C7744

Connectors

Description	Connector 1	Connector 2
Type	7/16 DIN Female	N Male
Impedance	50 Ohms	50 Ohms
Contact Material and Plating	Phosphor Bronze, Silver	Brass, Silver
Contact Plating Specification	200 µin	200 µin
Dielectric Type	PTFE	PTFE
Outer Conductor Material and Plating		Brass, Tri-Metal
Outer Conductor Plating Specification		100 µin
Body Material and Plating	Brass, Tri-Metal	
Body Plating Specification	80 µin	
Coupling Nut Material and Plating		Brass, Tri-Metal
Coupling Nut Plating Specification		100 µin
Torque		9.74 in-lbs [1.1 Nm]

Environmental Specifications

Temperature

Operating Range -40 to +85 deg C

Compliance Certifications (see [product page](#) for current document)

Plotted and Other Data

Notes:

Click the following link (or enter part number in "SEARCH" on website) to obtain additional part information including price, inventory and certifications: [Plenum 7/16 DIN Female to N Male Low PIM Cable Using SPP-375-LLPL Coax with Times Microwave Components PE3C7744](#)



Plenum 7/16 DIN Female to N Male Low PIM Cable Using SPP-375-LLPL Coax with Times Microwave Components

RF Cable Assemblies Technical Data Sheet

PE3C7744

How to Order

Part Number Configuration:

PE3C7744

- **xx**

uu

Unit of Measure:

cm = Centimeters

<blank> = Inches

Length

Base Number

Example: PE3C7744-12 = 12 inches long cable
PE3C7744-100cm = 100 cm long cable

Plenum 7/16 DIN Female to N Male Low PIM Cable Using SPP-375-LLPL Coax with Times Microwave Components from Pasternack Enterprises has same day shipment for domestic and International orders. Our RF, microwave and millimeter wave products maintain a 99.4% availability and are part of the broadest selection in the industry.

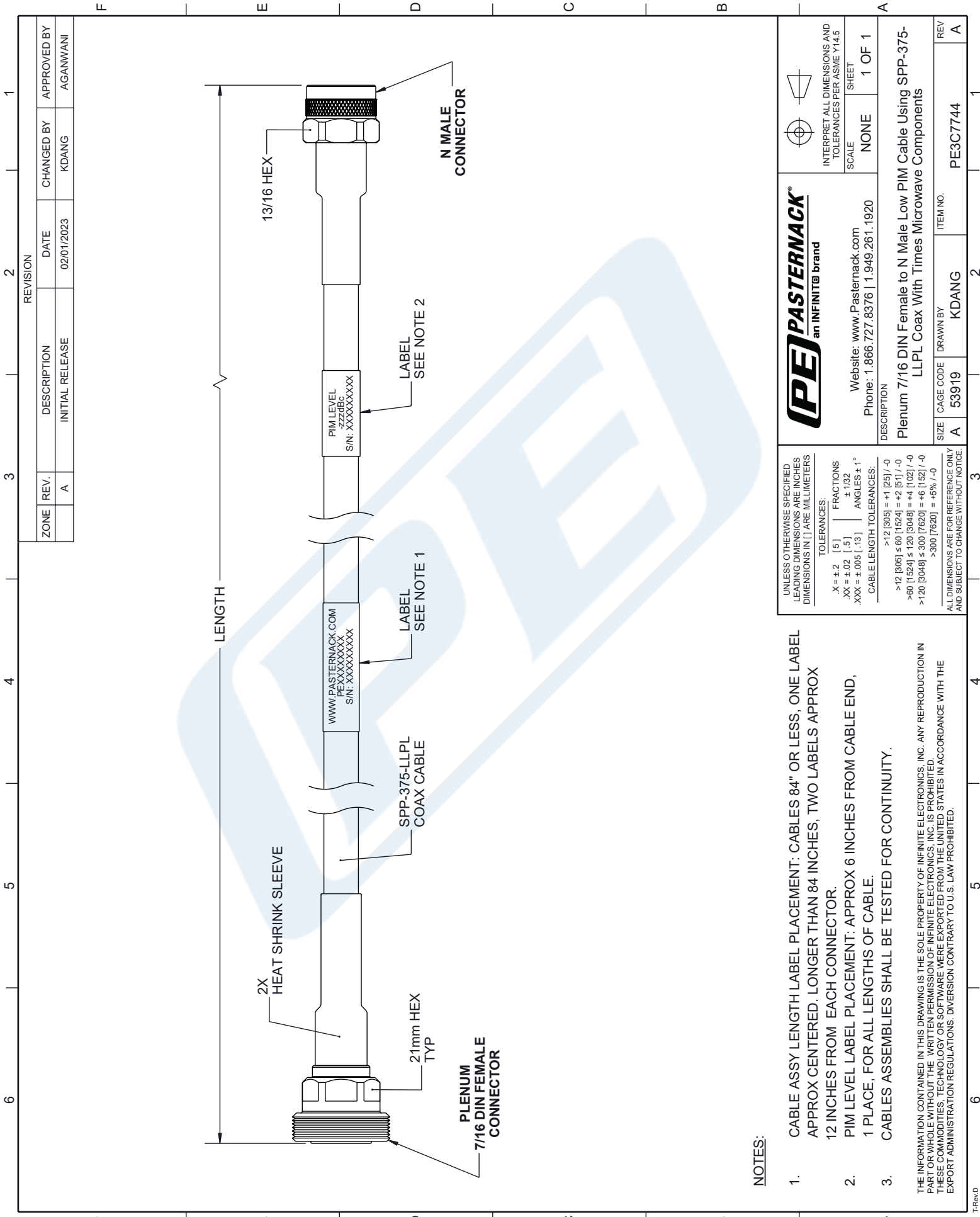
Click the following link (or enter part number in "SEARCH" on website) to obtain additional part information including price, inventory and certifications: [Plenum 7/16 DIN Female to N Male Low PIM Cable Using SPP-375-LLPL Coax with Times Microwave Components PE3C7744](https://www.pasternack.com/plenum-7-16-din-female-to-n-male-low-pim-cable-using-spp-375-llpl-pe3c7744-p.aspx)

URL: <https://www.pasternack.com/plenum-7-16-din-female-to-n-male-low-pim-cable-using-spp-375-llpl-pe3c7744-p.aspx>

The information contained in this document is accurate to the best of our knowledge and representative of the part described herein. It may be necessary to make modifications to the part and/or the documentation of the part, in order to implement improvements. Pasternack reserves the right to make such changes as required. Unless otherwise stated, all specifications are nominal. Pasternack does not make any representation or warranty regarding the suitability of the part described herein for any particular purpose, and Pasternack does not assume any liability arising out of the use of any part or documentation.

PE3C7744 CAD Drawing

Plenum 7/16 DIN Female to N Male Low PIM Cable Using SPP-375-LLPL Coax with Times Microwave Components



NOTES:

- CABLE ASSY LENGTH LABEL PLACEMENT: CABLES 84" OR LESS, ONE LABEL APPROX CENTERED. LONGER THAN 84 INCHES, TWO LABELS APPROX 12 INCHES FROM EACH CONNECTOR.
 - PIM LEVEL LABEL PLACEMENT: APPROX 6 INCHES FROM CABLE END, 1 PLACE, FOR ALL LENGTHS OF CABLE.
 - CABLES ASSEMBLIES SHALL BE TESTED FOR CONTINUITY.
- THE INFORMATION CONTAINED IN THIS DRAWING IS THE SOLE PROPERTY OF INFINITE ELECTRONICS, INC. ANY REPRODUCTION IN PART OR WHOLE WITHOUT THE WRITTEN PERMISSION OF INFINITE ELECTRONICS, INC. IS PROHIBITED. THESE COMMODITIES, TECHNOLOGY OR SOFTWARE WERE EXPORTED FROM THE UNITED STATES IN ACCORDANCE WITH THE EXPORT ADMINISTRATION REGULATIONS. DIVERSION CONTRARY TO U.S. LAW PROHIBITED.

<p>PASTERNAK an INFINIT@ brand</p>		<p>INTERPRET ALL DIMENSIONS AND TOLERANCES PER ASME Y14.5</p>	
<p>Website: www.Pasternack.com Phone: 1.866.727.8376 1.949.261.1920</p>		SCALE	NONE
<p>DESCRIPTION</p> <p>Plenum 7/16 DIN Female to N Male Low PIM Cable Using SPP-375-LLPL Coax With Times Microwave Components</p>		SHEET	1 OF 1
SIZE	A	CAGE CODE	53919
DRAWN BY		KDANG	
ITEM NO.		PE3C7744	

UNLESS OTHERWISE SPECIFIED LEADING DIMENSIONS ARE INCHES DIMENSIONS IN [] ARE MILLIMETERS

TOLERANCES:

.X = ±.2 [.5] FRACTIONS
 .XX = ±.02 [.5] ±.1/32
 .XXX = ±.005 [.13] ANGLES ± 1°

CABLE LENGTH TOLERANCES:

>12 [305] = +1 [25] / -0
 >60 [1524] = +2 [51] / -0
 >120 [3048] = +4 [102] / -0
 >300 [7620] = +5% / -0

ALL DIMENSIONS ARE FOR REFERENCE ONLY AND SUBJECT TO CHANGE WITHOUT NOTICE.