

BNC Female Bulkhead to SMA Male Right Angle Cable Using LMR-195 Coax with HeatShrink

RF Cable Assemblies Technical Data Sheet

PE3C8189/HS

Configuration

- Connector 1: BNC Female Bulkhead Isolated Ground
- Connector 2: SMA Male Right Angle
- Cable Type: LMR-195

Features

- Max Frequency 5.8 GHz
- Shielding Effectivity > 90 dB
- 80% Phase Velocity
- Double Shielded
- PE Jacket

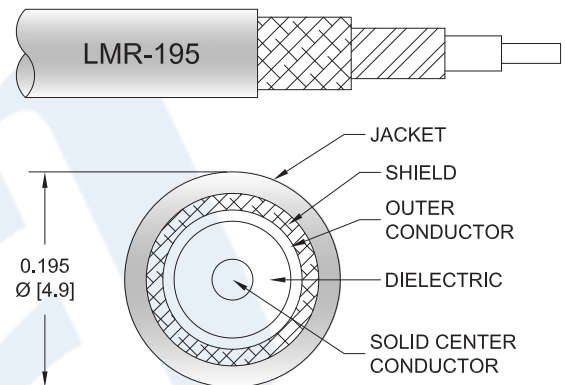
Applications

- General Purpose
- Laboratory Use

Description

Pasternack's PE3C8189/HS BNC female bulkhead to SMA male right angle cable using LMR-195 coax is part of our full line of RF components available for same-day shipping. Pasternack's flexible RF cable assemblies are ideal for applications where tight bends and flexure are required. This Pasternack BNC to SMA cable assembly has a female to male gender configuration with 50 ohm flexible LMR-195 coax. The PE3C8189/HS BNC female to SMA male cable assembly operates to 5.8 GHz. The right angle SMA interface on the LMR-195 cable allows for easier connections in tight spaces. Our RF cable assembly with BNC bulkhead interface allows designers to create external connections on their product enclosures, and can be used in a variety of other rack mount and panel mount applications. The double shielding of this Pasternack cable assembly provides excellent shielding effectiveness of better than 90 dB.

Custom versions of most RF cable assemblies can be built and shipped same day. Custom cable assembly lengths can be obtained by specifying the desired length on the web site at time of order or by contacting a sales representative. Other available RF cable assembly value added services include connector orientation or clocking, heat shrink booting and custom labeling. RF testing can also be performed to document the electrical performance of your cable assembly.



Click the following link (or enter part number in "SEARCH" on website) to obtain additional part information including price, inventory and certifications: [BNC Female Bulkhead to SMA Male Right Angle Cable Using LMR-195 Coax with HeatShrink PE3C8189/HS](#)

BNC Female Bulkhead to SMA Male Right Angle Cable Using LMR-195 Coax with HeatShrink

RF Cable Assemblies Technical Data Sheet

PE3C8189/HS

Electrical Specifications

Description	Minimum	Typical	Maximum	Units
Frequency Range	DC		5.8	GHz
VSWR			1.4:1	
Velocity of Propagation		80		%
RF Shielding	90			dB
Group Delay		1.27 [4.17]		ns/ft [ns/m]
Capacitance		25.4 [83.33]		pF/ft [pF/m]
Inductance		0.064 [0.21]		uH/ft [uH/m]
DC Resistance Inner Conductor		7.6 [24.93]		Ω/1000ft [Ω/Km]
DC Resistance Outer Conductor		4.9 [16.08]		Ω/1000ft [Ω/Km]
Jacket Spark			3,000	Vrms

Specifications by Frequency

Description	F1	F2	F3	F4	F5	Units
Frequency	0.5	1	2	4	5.8	GHz
Insertion Loss (Typ.)	0.32	0.33	0.37	0.44	0.5	dB/ft
	1.05	1.08	1.21	1.44	1.64	dB/m

Electrical Specification Notes:

Insertion Loss does not include the loss of the connectors. Insertion Loss is estimated as 0.1*SQRT(FGHz) dB per connector.

Mechanical Specifications

Cable Assembly

Diameter 0.611 in [15.52 mm]

Cable

Cable Type LMR-195
 Impedance 50 Ohms
 Inner Conductor Type Solid
 Inner Conductor Material and Plating Copper
 Dielectric Type PE (F)
 Number of Shields 2
 Shield Layer 1 Aluminum Tape
 Shield Layer 2 Tinned Copper Braid
 Jacket Material PE, Black
 Jacket Diameter 0.195 in [4.95 mm]

Click the following link (or enter part number in "SEARCH" on website) to obtain additional part information including price, inventory and certifications: [BNC Female Bulkhead to SMA Male Right Angle Cable Using LMR-195 Coax with HeatShrink PE3C8189/HS](#)

BNC Female Bulkhead to SMA Male Right Angle Cable Using LMR-195 Coax with HeatShrink

RF Cable Assemblies Technical Data Sheet

PE3C8189/HS

One Time Minimum Bend Radius	0.5 in [12.7 mm]
Repeated Minimum Bend Radius	2 in [50.8 mm]
Bending Moment	0.2 lbs-ft [0.27 N-m]
Flat Plate Crush	15 lbs/in [0.27 Kg/mm]
Tensile Strength	40 lbs [18.14 Kg]

Connectors

Description	Connector 1	Connector 2
Type	BNC Female Bulkhead Isolated Ground	SMA Male Right Angle
Specification		MIL-STD-348A
Impedance	50 Ohms	50 Ohms
Color		
Isolated Ground/Hermetic Seal	Isolated Ground	
Contact Material and Plating	Phosphor Bronze, Gold	Brass, Gold
Contact Plating Specification		50 µin minimum
Dielectric Type	Teflon	PTFE
Outer Conductor Material and Plating	Brass, Nickel	
Body Material and Plating	Brass, Nickel	Brass, Nickel
Body Plating Specification		100 µin minimum
Coupling Nut Material and Plating		Brass, Nickel
Coupling Nut Plating Specification		100 µin minimum
Hex Size		5/16 inch
Torque		3 in-lbs [0.34 Nm]

Compliance Certifications (see [product page](#) for current document)

Plotted and Other Data

Notes:

Click the following link (or enter part number in "SEARCH" on website) to obtain additional part information including price, inventory and certifications: [BNC Female Bulkhead to SMA Male Right Angle Cable Using LMR-195 Coax with HeatShrink PE3C8189/HS](#)

BNC Female Bulkhead to SMA Male Right Angle
Cable Using LMR-195 Coax with HeatShrink

RF Cable Assemblies Technical Data Sheet

PE3C8189/HS

How to Order

Part Number Configuration:

PE3C8189/HS - xx uu

Unit of Measure:
cm = Centimeters
<blank> = Inches
Length
Base Number

Example: PE3C8189/HS-12 = 12 inches long cable
PE3C8189/HS-100cm = 100 cm long cable

BNC Female Bulkhead to SMA Male Right Angle Cable Using LMR-195 Coax with HeatShrink from Pasternack Enterprises has same day shipment for domestic and International orders. Our RF, microwave and millimeter wave products maintain a 99.4% availability and are part of the broadest selection in the industry.

Click the following link (or enter part number in "SEARCH" on website) to obtain additional part information including price, inventory and certifications: [BNC Female Bulkhead to SMA Male Right Angle Cable Using LMR-195 Coax with HeatShrink PE3C8189/HS](#)

URL: <https://www.pasternack.com/bnc-female-sma-male-lmr195-cable-assembly-pe3c8189-hs-p.aspx>

The information contained in this document is accurate to the best of our knowledge and representative of the part described herein. It may be necessary to make modifications to the part and/or the documentation of the part, in order to implement improvements. Pasternack reserves the right to make such changes as required. Unless otherwise stated, all specifications are nominal. Pasternack does not make any representation or warranty regarding the suitability of the part described herein for any particular purpose, and Pasternack does not assume any liability arising out of the use of any part or documentation.