

N Male Right Angle to N Male Low Loss Cable Using LMR-200-FR Coax with HeatShrink



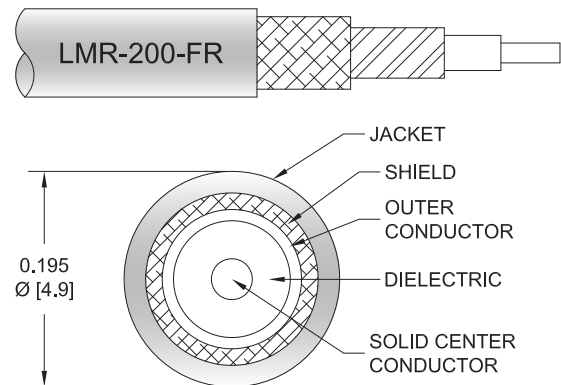
PE3C8998/HS

Configuration

- Connector 1: N Male Right Angle
- Connector 2: N Male
- Cable Type: LMR-200-FR
- Coax Flex Type: Flexible

Features

- Max Frequency 6 GHz
- Shielding Effectivity > 90 dB
- 83% Phase Velocity
- Double Shielded
- FRPE Jacket



Applications

- General Purpose
- Laboratory Use

Description

Pasternack's PE3C8998/HS type N male right angle to type N male cable using LMR-200-FR coax is part of our full line of RF components available for same-day shipping. Pasternack's flexible RF cable assemblies are ideal for applications where tight bends and flexure are required. This Pasternack type N to type N cable assembly has a male to male gender configuration with 50 ohm flexible LMR-200-FR coax. The PE3C8998/HS type N male to type N male cable assembly operates to 6 GHz. The right angle type N interface on the LMR-200-FR cable allows for easier connections in tight spaces. The double shielding of this Pasternack cable assembly provides excellent shielding effectiveness of better than 90 dB.

Custom versions of most RF cable assemblies can be built and shipped same day. Custom cable assembly lengths can be obtained by specifying the desired length on the web site at time of order or by contacting a sales representative. Other available RF cable assembly value added services include connector orientation or clocking, heat shrink booting and custom labeling. RF testing can also be performed to document the electrical performance of your cable assembly.

Electrical Specifications

Description	Minimum	Typical	Maximum	Units
Frequency Range	DC		6	GHz
VSWR			1.4:1	
Velocity of Propagation		83		%
RF Shielding	90			dB
Group Delay		1.22 [4]		ns/ft [ns/m]
Capacitance		24.5 [80.38]		pF/ft [pF/m]
Inductance		0.061 [0.2]		uH/ft [uH/m]
DC Resistance Inner Conductor		5.36 [17.59]		Ohms/1000ft [Ohms/Km]
DC Resistance Outer Conductor		4.9 [16.08]		Ohms/1000ft [Ohms/Km]

N Male Right Angle to N Male Low Loss Cable
Using LMR-200-FR Coax with HeatShrink



PE3C8998/HS

Electrical Specifications

Description	Minimum	Typical	Maximum	Units
Jacket Spark			3,000	Vrms

Specifications by Frequency

Part Number	Length	Description	F1	F2	F3	F4	F5	Units	Weight (lbs)
			Frequency					MHz	
PE3C8998/HS	Custom Lengths Available	Insertion Loss (Typ.)	0.051	0.073	0.104	0.169	0.264	dB/ft	
			0.17	0.24	0.35	0.56	0.87	dB/m	
PE3C8998/HS-24	24 inch	Insertion Loss (Typ.)	0.41	0.45	0.51	0.64	0.83	dB	0.242
PE3C8998/HS-36	36 inch	Insertion Loss (Typ.)	0.46	0.52	0.62	0.81	1.1	dB	0.27
PE3C8998/HS-48	48 inch	Insertion Loss (Typ.)	0.51	0.6	0.72	0.98	1.36	dB	0.298
PE3C8998/HS-60	60 inch	Insertion Loss (Typ.)	0.56	0.67	0.82	1.15	1.62	dB	0.326
PE3C8998/HS-72	72 inch	Insertion Loss (Typ.)	0.61	0.74	0.93	1.32	1.89	dB	0.354

The insertion loss data for the base model does not include loss due to the connectors. Each length includes insertion loss due to the connectors.

Loss due to Connector 1:	0.2 dB
Loss due to Connector 2:	0.1 dB
Base Weight:	0.213 pounds
Additional Weight per Inch:	0.00234 pounds

Mechanical Specifications

Cable Assembly

Width/Diameter	0.5 in [12.7 mm]
Weight	0.185 lbs [83.91 g]

Cable

Cable Type	LMR-200-FR
Impedance	50 Ohms
Inner Conductor Type	Solid
Inner Conductor Material and Plating	Copper
Dielectric Type	PE
Number of Shields	2
Shield Layer 1	Aluminum Tape
Shield Layer 2	Tinned Copper Braid
Jacket Material	FRPE, Black
Jacket Diameter	0.195 in [4.95 mm]
One Time Minimum Bend Radius	0.5 in [12.7 mm]
Repeated Minimum Bend Radius	2 in [50.8 mm]
Bending Moment	2 lbs-ft [2.71 N-m]
Flat Plate Crush	15 lbs/in [0.27 Kg/mm]
Tensile Strength	40 lbs [18.14 Kg]

N Male Right Angle to N Male Low Loss Cable
Using LMR-200-FR Coax with HeatShrink



PE3C8998/HS

Connectors

Description	Connector 1	Connector 2
Type	N Male Right Angle	N Male
Specification		MIL-STD-348
Impedance	50 Ohms	50 Ohms
Configuration	Right Angle	Straight
Contact Material and Plating	Brass, Gold	Brass, Gold
Dielectric Type	PTFE	PTFE
Body Material and Plating	Brass, Tri-Metal	Brass, Tri-Metal
Coupling Nut Material and Plating	Brass, Nickel	Phosphor Bronze
Hex Size		13/16 Inch

Environmental Specifications

Operating Range Temperature -40 to +165 deg C

Compliance Certifications (see [product page](#) for current document)

Plotted and Other Data

Notes:

N Male Right Angle to N Male Low Loss Cable
Using LMR-200-FR Coax with HeatShrink



PE3C8998/HS

Typical Performance Data

How to Order

Part Number Configuration:

PE3C8998/HS - xx uu



Example: PE3C8998/HS-12 = 12 inches long cable
PE3C8998/HS-100cm = 100 cm long cable

N Male Right Angle to N Male Low Loss Cable Using LMR-200-FR Coax with HeatShrink from Pasternack Enterprises has same day shipment for domestic and International orders. Our RF, microwave and millimeter wave products maintain a 99.4% availability and are part of the broadest selection in the industry.

Click the following link (or enter part number in "SEARCH" on website) to obtain additional part information including price, inventory and certifications: [N Male Right Angle to N Male Low Loss Cable Using LMR-200-FR Coax with HeatShrink PE3C8998/HS](#)

URL: <https://www.pasternack.com/n-male-right-angle-to-n-male-low-loss-cable-using-lmr-200-fr-with-heatshrink-pe3c8998-hs-p.aspx>

The information contained within this document is accurate to the best of our knowledge and representative of the part described herein. It may be necessary to make modifications to the part and/or the documentation of the part in order to implement improvements. Pasternack Enterprises reserves the right to make such changes as required. Unless otherwise stated, all specifications are nominal. Pasternack Enterprises does not make any representation or warranty regarding the suitability of the part described herein for any particular purpose, and Pasternack Enterprises does not assume liability arising out of the use of any part or document.

PE3C8998/HS CAD Drawing

N Male Right Angle to N Male Low Loss Cable Using LMR-200-FR Coax with HeatShrink

