

SMA Female to Trimmed Lead Low Loss Cable Using LMR-100 Coax with HeatShrink



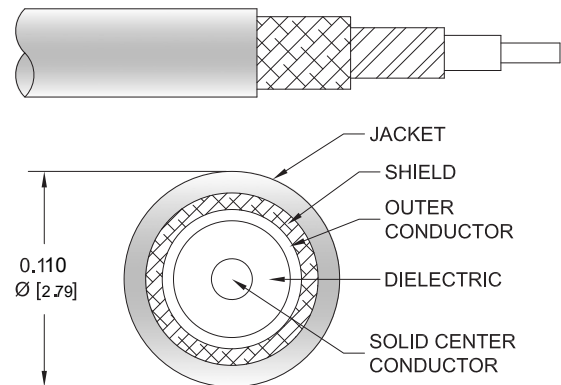
PE3C9415/HS

Configuration

- Connector 1: SMA Female
- Connector 2: Trimmed Lead
- Cable Type: LMR-100A
- Coax Flex Type: Flexible

Features

- Shielding Effectivity > 90 dB
- 66% Phase Velocity
- Double Shielded
- PVC Jacket



Applications

- General Purpose
- Laboratory Use

Description

Pasternack's PE3C9415/HS 50 ohm SMA female to trimmed lead cable using LMR-100 coax is part of our full line of RF components available for same-day shipping. Pasternack's flexible RF cable assemblies are ideal for applications where tight bends and flexure are required. The double shielding of this Pasternack cable assembly provides excellent shielding effectiveness of better than 90 dB.

Custom versions of most RF cable assemblies can be built and shipped same day. Custom cable assembly lengths can be obtained by specifying the desired length on the web site at time of order or by contacting a sales representative. Other available RF cable assembly value added services include connector orientation or clocking, heat shrink booting and custom labeling. RF testing can also be performed to document the electrical performance of your cable assembly.

Electrical Specifications

Description	Minimum	Typical	Maximum	Units
Velocity of Propagation		66		%
RF Shielding	90			dB
Group Delay		1.54 [5.05]		ns/ft [ns/m]
Capacitance		30.8 [101.05]		pF/ft [pF/m]
Inductance		0.077 [0.25]		uH/ft [uH/m]
DC Resistance Inner Conductor		81 [265.75]		Ohms/1000ft [Ohms/Km]
DC Resistance Outer Conductor		9.5 [31.17]		Ohms/1000ft [Ohms/Km]
Jacket Spark			2,000	Vrms

Mechanical Specifications

Cable Assembly

Width/Diameter

0.5 in [12.7 mm]

Weight

0.007 lbs [3.18 g]

SMA Female to Trimmed Lead Low Loss Cable Using LMR-100 Coax with HeatShrink



PE3C9415/HS

Cable

Cable Type	LMR-100A
Impedance	50 Ohms
Inner Conductor Type	Solid
Inner Conductor Material and Plating	Copper Clad Steel
Dielectric Type	PE
Number of Shields	2
Shield Layer 1	Aluminum Tape
Shield Layer 2	Tinned Copper Braid
Jacket Material	PVC, Black
Jacket Diameter	0.11 in [2.79 mm]
One Time Minimum Bend Radius	0.25 in [6.35 mm]
Repeated Minimum Bend Radius	1 in [25.4 mm]
Bending Moment	0.1 lbs-ft [0.14 N-m]
Flat Plate Crush	10 lbs/in [0.18 Kg/mm]
Tensile Strength	15 lbs [6.8 Kg]

Connectors

Description	Connector 1	Connector 2
Type	SMA Female	Trimmed Lead
Specification	MIL-STD-348	
Impedance	50 Ohms	0 Ohms
Configuration	Straight	Straight
Mating Cycles	100	
Contact Material and Plating	Beryllium Copper, Gold	
Dielectric Type	PTFE	
Outer Conductor Material and Plating	Brass, Nickel	
Body Material and Plating	Brass, Nickel	

Environmental Specifications

Compliance Certifications (see [product page](#) for current document)

Plotted and Other Data

Notes:

SMA Female to Trimmed Lead Low Loss Cable Using LMR-100 Coax with HeatShrink



PE3C9415/HS

Typical Performance Data

How to Order

Part Number Configuration:

PE3C9415/HS - xx uu

Unit of Measure:
cm = Centimeters
<blank> = Inches

Length

Base Number

Example: PE3C9415/HS-12 = 12 inches long cable
PE3C9415/HS-100cm = 100 cm long cable

SMA Female to Trimmed Lead Low Loss Cable Using LMR-100 Coax with HeatShrink from Pasternack Enterprises has same day shipment for domestic and International orders. Our RF, microwave and millimeter wave products maintain a 99.4% availability and are part of the broadest selection in the industry.

Click the following link (or enter part number in "SEARCH" on website) to obtain additional part information including price, inventory and certifications: [SMA Female to Trimmed Lead Low Loss Cable Using LMR-100 Coax with HeatShrink PE3C9415/HS](#)

URL: <https://www.pasternack.com/sma-female-to-trimmed-lead-low-loss-cable-using-lmr-100-with-heatshrink-pe3c9415-hs-p.aspx>

The information contained within this document is accurate to the best of our knowledge and representative of the part described herein. It may be necessary to make modifications to the part and/or the documentation of the part in order to implement improvements. Pasternack Enterprises reserves the right to make such changes as required. Unless otherwise stated, all specifications are nominal. Pasternack Enterprises does not make any representation or warranty regarding the suitability of the part described herein for any particular purpose, and Pasternack Enterprises does not assume liability arising out of the use of any part or document.

