

Water Blue FAKRA Jack Right Angle to SMA  
Male Cable Using LMR-100 Coax

**RF Cable Assemblies Technical Data Sheet**

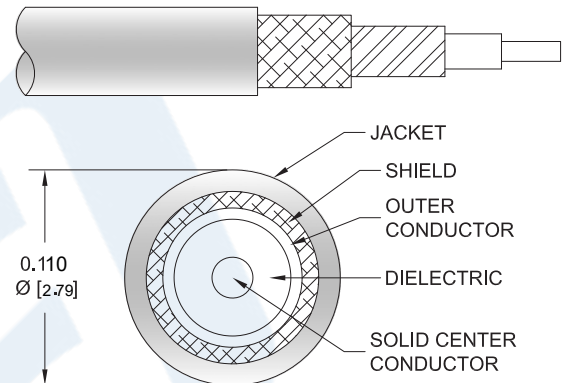
**PE3C9520**

**Configuration**

- Connector 1: FAKRA Jack Right Angle
- Connector 2: SMA Male
- Cable Type: LMR-100A

**Features**

- Max Frequency 4 GHz
- Shielding Effectivity > 90 dB
- 66% Phase Velocity
- Double Shielded
- PVC Jacket



**Applications**

- General Purpose
- Laboratory Use

**Description**

Pasternack's PE3C9520 water blue FAKRA jack right angle to SMA male cable using LMR-100 coax is part of our full line of RF components available for same-day shipping. Pasternack's flexible RF cable assemblies are ideal for applications where tight bends and flexure are required. This Pasternack FAKRA to SMA cable assembly has a jack to male gender configuration with 50 ohm flexible LMR-100A coax. The PE3C9520 FAKRA jack to SMA male cable assembly operates to 4 GHz. The right angle FAKRA interface on the LMR-100A cable allows for easier connections in tight spaces. The double shielding of this Pasternack cable assembly provides excellent shielding effectiveness of better than 90 dB.

Custom versions of most RF cable assemblies can be built and shipped same day. Custom cable assembly lengths can be obtained by specifying the desired length on the web site at time of order or by contacting a sales representative. Other available RF cable assembly value added services include connector orientation or clocking, heat shrink booting and custom labeling. RF testing can also be performed to document the electrical performance of your cable assembly.

Click the following link (or enter part number in "SEARCH" on website) to obtain additional part information including price, inventory and certifications: [Water Blue FAKRA Jack Right Angle to SMA Male Cable Using LMR-100 Coax PE3C9520](#)

Water Blue FAKRA Jack Right Angle to SMA  
Male Cable Using LMR-100 Coax

**RF Cable Assemblies Technical Data Sheet**

**PE3C9520**

**Electrical Specifications**

Description	Minimum	Typical	Maximum	Units
Frequency Range	DC		4	GHz
VSWR			1.4:1	
Velocity of Propagation		66		%
RF Shielding	90			dB
Group Delay		1.54 [5.05]		ns/ft [ns/m]
Capacitance		30.8 [101.05]		pF/ft [pF/m]
Inductance		0.077 [0.25]		uH/ft [uH/m]
DC Resistance Inner Conductor		81 [265.75]		$\Omega$ /1000ft [ $\Omega$ /Km]
DC Resistance Outer Conductor		9.5 [31.17]		$\Omega$ /1000ft [ $\Omega$ /Km]
Jacket Spark			2,000	Vrms

**Specifications by Frequency**

Description	F1	F2	F3	F4	F5	Units
Frequency	0.1	0.25	0.5	1	4	GHz
Insertion Loss (Max.)	1.064	1.115391	1.165777	1.240166	1.508445	dB/ft
	3.49	3.66	3.82	4.07	4.95	dB/m
VSWR (Max.)	1.4:1	1.4:1	1.4:1	1.4:1	1.4:1	
Return Loss (Max.)	15.56	15.563	15.563	15.563	15.563	dB

**Mechanical Specifications**

**Cable Assembly**

Weight 0.026 lbs [11.79 g]

**Cable**

Cable Type LMR-100A  
 Impedance 50 Ohms  
 Inner Conductor Type Solid  
 Inner Conductor Material and Plating Copper Clad Steel  
 Dielectric Type PE  
 Number of Shields 2  
 Shield Layer 1 Aluminum Tape  
 Shield Layer 2 Tinned Copper Braid  
 Jacket Material PVC, Black  
 Jacket Diameter 0.11 in [2.79 mm]

Click the following link (or enter part number in "SEARCH" on website) to obtain additional part information including price, inventory and certifications: [Water Blue FAKRA Jack Right Angle to SMA Male Cable Using LMR-100 Coax PE3C9520](#)

Water Blue FAKRA Jack Right Angle to SMA  
Male Cable Using LMR-100 Coax

**RF Cable Assemblies Technical Data Sheet**

**PE3C9520**

One Time Minimum Bend Radius	0.25 in [6.35 mm]
Repeated Minimum Bend Radius	1 in [25.4 mm]
Bending Moment	0.1 lbs-ft [0.14 N-m]
Flat Plate Crush	10 lbs/in [0.18 Kg/mm]
Tensile Strength	15 lbs [6.8 Kg]

**Connectors**

Description	Connector 1	Connector 2
Type	FAKRA Jack Right Angle	SMA Male
Specification		MIL-STD-348A
Impedance	50 Ohms	50 Ohms
Configuration	Right Angle	Straight
Contact Material and Plating	Phosphor Bronze, Gold	Brass, Gold
Contact Plating Specification		30 µin minimum
Dielectric Type	PTFE	PTFE
Outer Conductor Material and Plating	Brass, Nickel	
Body Material and Plating	Plastic	Brass, Nickel
Body Plating Specification		100 µin minimum
Coupling Nut Material and Plating		Brass, Nickel
Coupling Nut Plating Specification		100 µin minimum
Hex Size		5/16 inch
Torque		3 in-lbs [0.34 Nm]

**Compliance Certifications** (see [product page](#) for current document)

**Plotted and Other Data**

Notes:

Click the following link (or enter part number in "SEARCH" on website) to obtain additional part information including price, inventory and certifications: [Water Blue FAKRA Jack Right Angle to SMA Male Cable Using LMR-100 Coax PE3C9520](#)

## Water Blue FAKRA Jack Right Angle to SMA Male Cable Using LMR-100 Coax

### RF Cable Assemblies Technical Data Sheet

**PE3C9520**

#### How to Order

Part Number Configuration:

**PE3C9520**

- **xx**

**uu**

Unit of Measure:

cm = Centimeters

<blank> = Inches

Length

Base Number

Example: PE3C9520-12 = 12 inches long cable  
PE3C9520-100cm = 100 cm long cable

Water Blue FAKRA Jack Right Angle to SMA Male Cable Using LMR-100 Coax from Pasternack Enterprises has same day shipment for domestic and International orders. Our RF, microwave and millimeter wave products maintain a 99.4% availability and are part of the broadest selection in the industry.

Click the following link (or enter part number in "SEARCH" on website) to obtain additional part information including price, inventory and certifications: [Water Blue FAKRA Jack Right Angle to SMA Male Cable Using LMR-100 Coax PE3C9520](#)

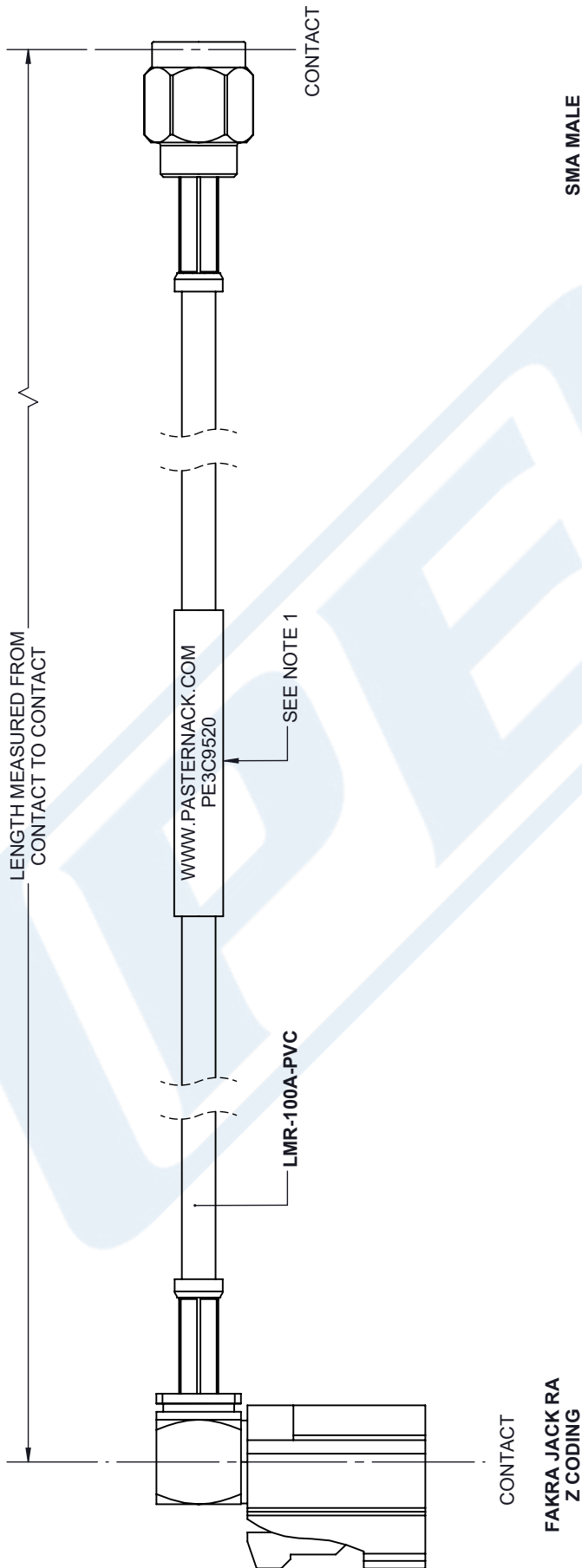
URL: <https://www.pasternack.com/jack-right-angle-to-sma-male-cable-using-lmr-100-pe3c9520-p.aspx>

The information contained in this document is accurate to the best of our knowledge and representative of the part described herein. It may be necessary to make modifications to the part and/or the documentation of the part, in order to implement improvements. Pasternack reserves the right to make such changes as required. Unless otherwise stated, all specifications are nominal. Pasternack does not make any representation or warranty regarding the suitability of the part described herein for any particular purpose, and Pasternack does not assume any liability arising out of the use of any part or documentation.

# PE3C9520 CAD Drawing

Water Blue FAKRA Jack Right Angle to SMA Male Cable Using LMR-100 Coax

REVISIONS		
REV.	DESCRIPTION	DATE
A	INITIAL RELEASE	11/28/2022
		A. GANWANI



FAKRA JACK RA  
Z CODING  
WATER BLUE

SMA MALE

UNLESS OTHERWISE SPECIFIED  
LEADING DIMENSIONS ARE INCHES  
DIMENSIONS IN [ ] ARE MILLIMETERS

TOLERANCES:  
 .X = ±.2 [ .008 ]    FRACTIONS ± 1/32  
 .XX = ±.02 [ .51 ]    ANGLES ± 1°  
 .XXX = ±.005 [ .13 ]  
 CABLE LENGTH (L), TOLERANCES:  
 L ≤ 12 [305] = +1 [25] / -0  
 12 [305] < L ≤ 60 [1524] = +2 [51] / -0  
 60 [1524] < L ≤ 120 [3048] = +4 [102] / -0  
 120 [3048] < L ≤ 300 [7620] = +6 [152] / -0  
 300 [7620] < L = +5% / -0

ALL DIMENSIONS SHOWN  
ARE FOR REFERENCE ONLY.

THIRD-ANGLE PROJECTION

THE INFORMATION AND  
DESIGN IN THIS DOCUMENT  
IS THE PROPERTY OF  
PASTERNAK CORPORATION  
ALL RIGHTS RESERVED.

SHEET 1 OF 1

SCALE N/A

REV A



Pasternack Enterprises, Inc.  
 P. O. Box 16759, Irvine, CA 92623.  
 Phone: 1.949.261.1920 | 1.866.727.8376  
 Fax: 1.949.261.7451  
 Website: www.pasternack.com  
 E-mail: sales@pasternack.com

ITEM NO. PE3C9520

SIZE A

CAGE CODE 53919

DRAWN BY K.DANG

**NOTES:**

1. CABLES 36" AND UNDER HAVE 1 LABEL CENTERED. CABLES OVER 36" HAVE 2 LABELS, ONE AT EACH END 6.0" FROM THE END OF THE CONNECTOR.

THESE COMMODITIES, TECHNOLOGY OR SOFTWARE WERE EXPORTED FROM THE UNITED STATES IN ACCORDANCE WITH THE EXPORT ADMINISTRATION REGULATIONS. DIVERSION CONTRARY TO U.S. LAW PROHIBITED.