

## MMCX Plug Right Angle to N Female Bulkhead Low Loss Cable Using LMR-100A-UF Coax with HeatShrink



### PE3C9608/HS

#### Configuration

- Connector 1: MMCX Plug Right Angle
- Connector 2: N Female Bulkhead
- Cable Type: LMR-100A-UF
- Coax Flex Type: Flexible

#### Features

- Max Frequency 6 GHz
- Shielding Effectivity > 90 dB
- 66% Phase Velocity
- Double Shielded
- TPE Jacket



#### Applications

- General Purpose
- Laboratory Use

#### Description

Pasternack's PE3C9608/HS MMCX plug right angle to type N female bulkhead cable using LMR-100A-UF coax is part of our full line of RF components available for same-day shipping. Pasternack's flexible RF cable assemblies are ideal for applications where tight bends and flexure are required. This Pasternack MMCX to type N cable assembly has a plug to female gender configuration with 50 ohm flexible LMR-100A-UF coax. The PE3C9608/HS MMCX plug to type N female cable assembly operates to 6 GHz. The right angle MMCX interface on the LMR-100A-UF cable allows for easier connections in tight spaces. Our RF cable assembly with type N bulkhead interface allows designers to create external connections on their product enclosures, and can be used in a variety of other rack mount and panel mount applications. The double shielding of this Pasternack cable assembly provides excellent shielding effectiveness of better than 90 dB.

Custom versions of most RF cable assemblies can be built and shipped same day. Custom cable assembly lengths can be obtained by specifying the desired length on the web site at time of order or by contacting a sales representative. Other available RF cable assembly value added services include connector orientation or clocking, heat shrink booting and custom labeling. RF testing can also be performed to document the electrical performance of your cable assembly.

#### Electrical Specifications

Description	Minimum	Typical	Maximum	Units
Frequency Range	DC		6	GHz
VSWR			1.4:1	
Velocity of Propagation		66		%
RF Shielding	90			dB
Group Delay		1.54 [5.05]		ns/ft [ns/m]
Capacitance		30.8 [101.05]		pF/ft [pF/m]
Inductance		0.077 [0.25]		uH/ft [uH/m]
DC Resistance Inner Conductor		81 [265.75]		Ohms/1000ft [Ohms/Km]
DC Resistance Outer Conductor		9.5 [31.17]		Ohms/1000ft [Ohms/Km]

## MMCX Plug Right Angle to N Female Bulkhead Low Loss Cable Using LMR-100A-UF Coax with HeatShrink



### PE3C9608/HS

#### Electrical Specifications

Description	Minimum	Typical	Maximum	Units
Operating Voltage (AC)			250	Vrms
Jacket Spark			2,000	Vrms

#### Specifications by Frequency

Part Number	Length	Description	F1	F2	F3	F4	F5	Units	Weight (lbs)
			Frequency					MHz	
PE3C9608/HS	Custom Lengths Available	Insertion Loss (Typ.)	0.115	0.166	0.24	0.398	0.641	dB/ft	
			0.38	0.55	0.79	1.31	2.11	dB/m	
PE3C9608/HS-24	24 In	Insertion Loss (Typ.)	0.53	0.64	0.78	1.1	1.59	dB	0.107
PE3C9608/HS-36	36 In	Insertion Loss (Typ.)	0.65	0.8	1.02	1.5	2.23	dB	0.115
PE3C9608/HS-48	48 In	Insertion Loss (Typ.)	0.76	0.97	1.26	1.9	2.87	dB	0.123
PE3C9608/HS-100CM	100 CM	Insertion Loss (Typ.)	0.68	0.85	1.09	1.61	2.41	dB	0.117
PE3C9608/HS-200CM	200 CM	Insertion Loss (Typ.)	1.06	1.39	1.88	2.92	4.51	dB	0.143

The insertion loss data for the base model does not include loss due to the connectors. Each length includes insertion loss due to the connectors.

Loss due to Connector 1:	0.2 dB
Loss due to Connector 2:	0.1 dB
Base Weight:	0.098 pounds
Additional Weight per Inch:	0.00067 pounds

#### Mechanical Specifications

##### Cable Assembly

Width/Diameter	0.5 in [12.7 mm]
Weight	0.09 lbs [40.82 g]

##### Cable

Cable Type	LMR-100A-UF
Impedance	50 Ohms
Inner Conductor Type	Stranded
Inner Conductor Material and Plating	Copper
Dielectric Type	PE
Number of Shields	2
Shield Layer 1	Aluminum Tape
Shield Layer 2	Tinned Copper
Jacket Material	TPE, Black
Jacket Diameter	0.11 in [2.79 mm]
One Time Minimum Bend Radius	0.25 in [6.35 mm]
Repeated Minimum Bend Radius	1 in [25.4 mm]
Bending Moment	0.1 lbs-ft [0.14 N-m]
Flat Plate Crush	10 lbs/in [0.18 Kg/mm]
Tensile Strength	15 lbs [6.8 Kg]

MMCX Plug Right Angle to N Female Bulkhead Low Loss Cable Using LMR-100A-UF Coax with HeatShrink



**PE3C9608/HS**

**Connectors**

Description	Connector 1	Connector 2
Type	MMCX Plug Right Angle	N Female Bulkhead
Specification	BS EN 122340	MIL-STD-348A
Impedance	50 Ohms	50 Ohms
Configuration	Right Angle	Straight
Contact Material and Plating	Brass, Gold	Brass, Gold
Contact Plating Specification	30 μin minimum	30μ in minimum
Dielectric Type	PTFE	PTFE
Body Material and Plating	Brass, Gold	Brass, Nickel
Body Plating Specification	3 μin minimum	100μ in minimum

**Environmental Specifications**

Operating Range Temperature -40 to +85 deg C

**Compliance Certifications** (see [product page](#) for current document)

**Plotted and Other Data**

Notes:

## MMCX Plug Right Angle to N Female Bulkhead Low Loss Cable Using LMR-100A-UF Coax with HeatShrink



### PE3C9608/HS

#### Typical Performance Data

#### How to Order

Part Number Configuration:

**PE3C9608/HS - xx uu**



Example: PE3C9608/HS-12 = 12 inches long cable  
PE3C9608/HS-100cm = 100 cm long cable

MMCX Plug Right Angle to N Female Bulkhead Low Loss Cable Using LMR-100A-UF Coax with HeatShrink from Pasternack Enterprises has same day shipment for domestic and International orders. Our RF, microwave and millimeter wave products maintain a 99.4% availability and are part of the broadest selection in the industry.

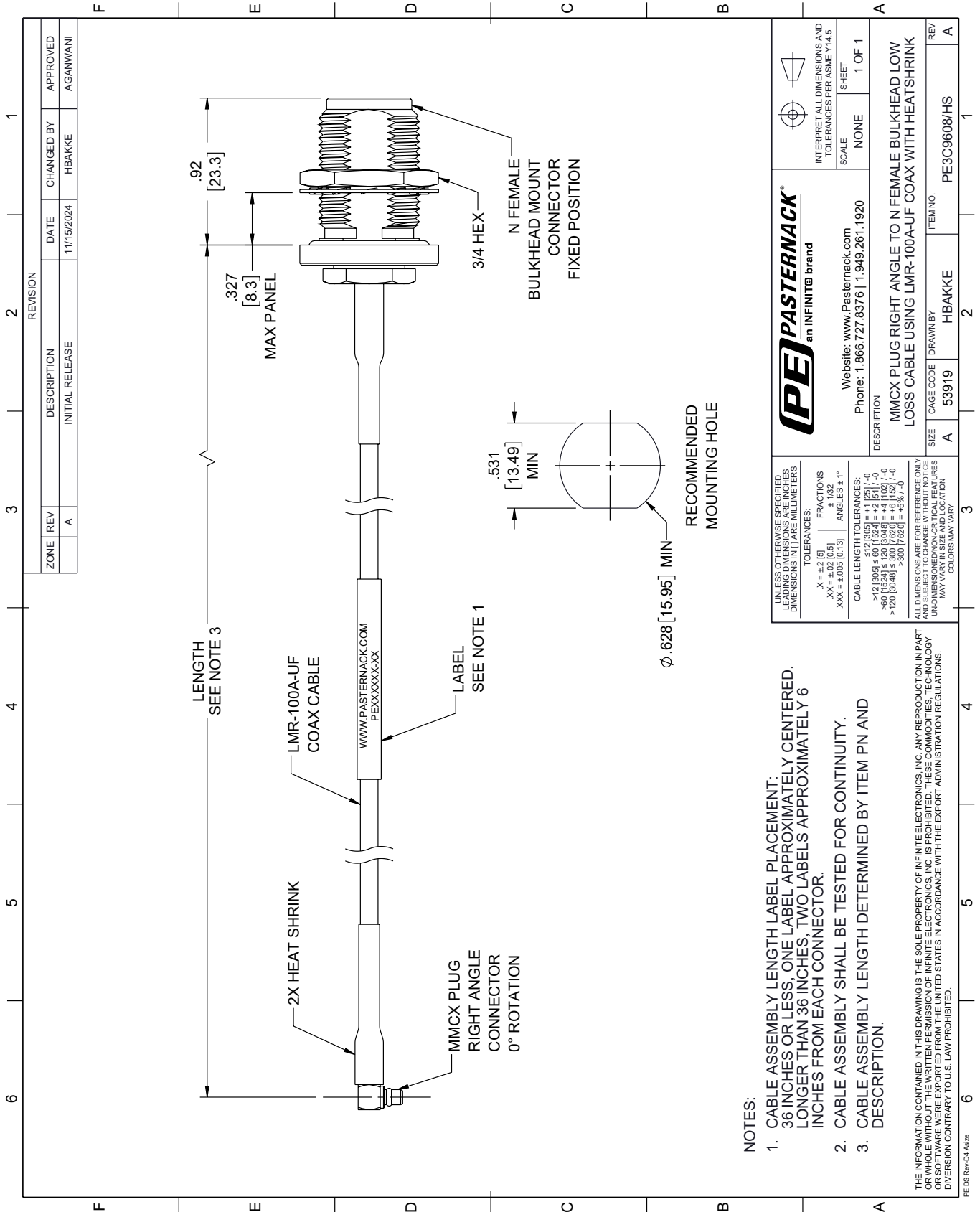
Click the following link (or enter part number in "SEARCH" on website) to obtain additional part information including price, inventory and certifications: [MMCX Plug Right Angle to N Female Bulkhead Low Loss Cable Using LMR-100A-UF Coax with HeatShrink PE3C9608/HS](https://www.pasternack.com/mmcx-plug-right-angle-to-n-female-bulkhead-low-loss-cable-using-lmr-100a-uf-coax-with-heatshrink-pe3c9608/hs-p.aspx)

URL: <https://www.pasternack.com/mmcx-plug-right-angle-to-n-female-bulkhead-low-loss-cable-using-lmr-100a-uf-with-heatshrink-pe3c9608-hs-p.aspx>

The information contained within this document is accurate to the best of our knowledge and representative of the part described herein. It may be necessary to make modifications to the part and/or the documentation of the part in order to impliment improvements. Pasternack Enterprises reserves the right to make such changes as required. Unless otherwise stated, all specifications are nominal. Pasternack Enterprises does not make any representation or warranty regarding the suitability of the part described herein for any particular purpose, and Pasternack Enterprises does not assume liability arising out of the use of any part or document.

# PE3C9608/HS CAD Drawing

MMCX Plug Right Angle to N Female Bulkhead Low Loss Cable Using LMR-100A-UF Coax with HeatShrink



**NOTES:**

1. CABLE ASSEMBLY LENGTH LABEL PLACEMENT: 36 INCHES OR LESS, ONE LABEL APPROXIMATELY CENTERED. LONGER THAN 36 INCHES, TWO LABELS APPROXIMATELY 6 INCHES FROM EACH CONNECTOR.
2. CABLE ASSEMBLY SHALL BE TESTED FOR CONTINUITY.
3. CABLE ASSEMBLY LENGTH DETERMINED BY ITEM PN AND DESCRIPTION.

THE INFORMATION CONTAINED IN THIS DRAWING IS THE SOLE PROPERTY OF INFINITE ELECTRONICS, INC. ANY REPRODUCTION IN PART OR WHOLE WITHOUT THE WRITTEN PERMISSION OF INFINITE ELECTRONICS, INC. IS PROHIBITED. THESE COMMODITIES, TECHNOLOGY OR SERVICES ARE BEING EXPORTED FROM THE UNITED STATES IN ACCORDANCE WITH THE EXPORT ADMINISTRATION REGULATIONS. DIVERSION CONTRARY TO U.S. LAW PROHIBITED.

PE DS Rev-D4 Asst

ZONE	REV	DESCRIPTION	DATE	CHANGED BY	APPROVED
A	A	INITIAL RELEASE	11/15/2024	HBAKKE	AGANWANI

 an INFINITI® brand		Website: <a href="http://www.Pasternack.com">www.Pasternack.com</a> Phone: 1.866.727.8376   1.949.261.1920
UNLESS OTHERWISE SPECIFIED, LEADING DIMENSIONS ARE IN INCHES. DIMENSIONS IN [ ] ARE MILLIMETERS.		INTERPRET ALL DIMENSIONS AND TOLERANCES PER ASME Y14.5
TOLERANCES: .X = ±.2 [5] .XX = ±.02 [0.5] .XXX = ±.005 [0.13]		SCALE: NONE SHEET: 1 OF 1
FRACTIONS: ± 1/32 ANGLES ± 1°		
CABLE LENGTH TOLERANCES: ≤ 12 [305] ≤ 60 [1524] = ±.1 [25] / -0 > 60 [1524] ≤ 120 [3048] = ±.4 [102] / -0 > 120 [3048] ≤ 300 [7620] = ±.6 [15] / -0		
ALL DIMENSIONS ARE FOR REFERENCE ONLY. UNLESS OTHERWISE SPECIFIED, DIMENSIONS ARE UNLESS OTHERWISE SPECIFIED. DIMENSIONS MAY VARY IN SIZE AND LOCATION. COLORS MAY VARY.		
DESCRIPTION MMCX PLUG RIGHT ANGLE TO N FEMALE BULKHEAD LOW LOSS CABLE USING LMR-100A-UF COAX WITH HEATSHRINK	SIZE A	CAGE CODE 53919
DRAWN BY HBAKKE	ITEM NO. PE3C9608/HS	REV A