

4.3-10 Male to 7/16 DIN Male Right Angle Cable Using SPP-500-LLPL Coax with HeatShrink

RF Cable Assemblies Technical Data Sheet

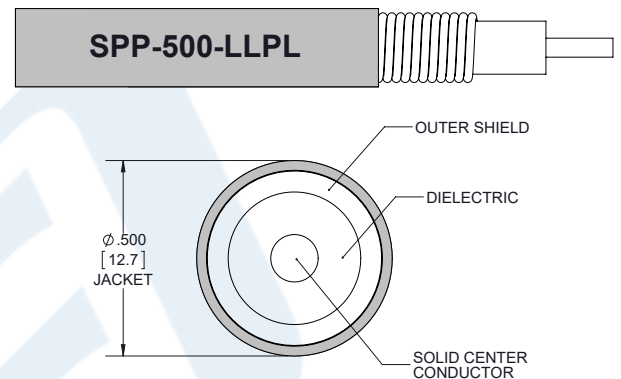
PE3C9924/HS

Configuration

- Connector 1: 4.3-10 Male
- Connector 2: 7/16 DIN Male Right Angle
- Cable Type: SPP-500-LLPL
- Coax Flex Type: Corrugated

Features

- Max Frequency 3 GHz
- Low PIM: -160 dBc Max
- 76% Phase Velocity
- FEP Jacket



Applications

- General Purpose
- Laboratory Use

Description

Pasternack's PE3C9924/HS 4.3-10 male to 7/16 DIN male right angle cable using SPP-500-LLPL coax is part of our full line of RF components available for same-day shipping. Pasternack's corrugated RF cable assemblies are ideal for applications where durability and high power are needed. This Pasternack 4.3-10 to 7/16 DIN cable assembly has a male to male gender configuration with 50 ohm corrugated SPP-500-LLPL coax. The PE3C9924/HS 4.3-10 male to 7/16 DIN male cable assembly operates to 3 GHz. The right angle 7/16 DIN interface on the SPP-500-LLPL cable allows for easier connections in tight spaces.

Custom versions of most RF cable assemblies can be built and shipped same day. Custom cable assembly lengths can be obtained by specifying the desired length on the web site at time of order or by contacting a sales representative. Other available RF cable assembly value added services include connector orientation or clocking, heat shrink booting and custom labeling. RF testing can also be performed to document the electrical performance of your cable assembly.

Electrical Specifications

Description	Minimum	Typical	Maximum	Units
Frequency Range	DC		3	GHz
VSWR			1.4:1	
Velocity of Propagation		76		%
Passive Intermodulation			-160	dBc

Click the following link (or enter part number in "SEARCH" on website) to obtain additional part information including price, inventory and certifications: [4.3-10 Male to 7/16 DIN Male Right Angle Cable Using SPP-500-LLPL Coax with HeatShrink PE3C9924/HS](#)

4.3-10 Male to 7/16 DIN Male Right Angle Cable Using SPP-500-LLPL Coax with HeatShrink

RF Cable Assemblies Technical Data Sheet

PE3C9924/HS

Capacitance	26.2 [85.96]	pF/ft [pF/m]
-------------	--------------	--------------

Specifications by Frequency

Description	F1	F2	F3	F4	F5	Units
Frequency	0.5	1	3			GHz
Insertion Loss (Typ.)	0.023	0.034	0.063			dB/ft
	0.08	0.11	0.21			dB/m

Electrical Specification Notes:

Insertion Loss does not include the loss of the connectors. Insertion Loss is estimated as 0.2 dB for the 7/16 DIN connector and $0.1 \cdot \sqrt{\text{FGHz}}$ dB for the 4.3-10 connector.

Mechanical Specifications

Cable Assembly

Weight 0.572 lbs [259.45 g]

Cable

Cable Type	SPP-500-LLPL
Impedance	50 Ohms
Inner Conductor Type	Solid
Inner Conductor Material and Plating	Copper Clad Aluminum
Dielectric Type	PTFE
Number of Shields	1
Outer Conductor Material and Plating	Copper
Jacket Material	FEP, Blue
Jacket Diameter	0.5 in [12.7 mm]
One Time Minimum Bend Radius	1.5 in [38.1 mm]

Click the following link (or enter part number in "SEARCH" on website) to obtain additional part information including price, inventory and certifications: [4.3-10 Male to 7/16 DIN Male Right Angle Cable Using SPP-500-LLPL Coax with HeatShrink PE3C9924/HS](#)

4.3-10 Male to 7/16 DIN Male Right Angle Cable Using SPP-500-LLPL Coax with HeatShrink

RF Cable Assemblies Technical Data Sheet

PE3C9924/HS

Connectors

Description	Connector 1	Connector 2
Type	4.3-10 Male Threaded	7/16 DIN Male Right Angle Threaded
Impedance	50 Ohms	50 Ohms
Contact Material and Plating	Brass, Silver	Brass, Silver
Contact Plating Specification	200 µin	5µ in. minimum
Dielectric Type	PTFE	PTFE
Body Material and Plating	Brass, Tri-Metal	Brass, Tri-Metal
Body Plating Specification	80 µin	2µ in. minimum
Coupling Nut Material and Plating	Brass, Tri-Metal	Brass, Nickel
Coupling Nut Plating Specification	80 µin	5µ in. minimum
Hex Size		1 1/4 in.
Torque		18.439 ft-lbs [25 Nm]

Environmental Specifications

Temperature

Operating Range -40 to +125 deg C

Compliance Certifications (see [product page](#) for current document)

Plotted and Other Data

Notes:

Click the following link (or enter part number in "SEARCH" on website) to obtain additional part information including price, inventory and certifications: [4.3-10 Male to 7/16 DIN Male Right Angle Cable Using SPP-500-LLPL Coax with HeatShrink PE3C9924/HS](#)

4.3-10 Male to 7/16 DIN Male Right Angle Cable Using SPP-500-LLPL Coax with HeatShrink

RF Cable Assemblies Technical Data Sheet

PE3C9924/HS

How to Order

Part Number Configuration:

PE3C9924/HS - xx uu

Unit of Measure:
cm = Centimeters
<blank> = Inches
Length
Base Number

Example: PE3C9924/HS-12 = 12 inches long cable
PE3C9924/HS-100cm = 100 cm long cable

4.3-10 Male to 7/16 DIN Male Right Angle Cable Using SPP-500-LLPL Coax with HeatShrink from Pasternack Enterprises has same day shipment for domestic and International orders. Our RF, microwave and millimeter wave products maintain a 99.4% availability and are part of the broadest selection in the industry.

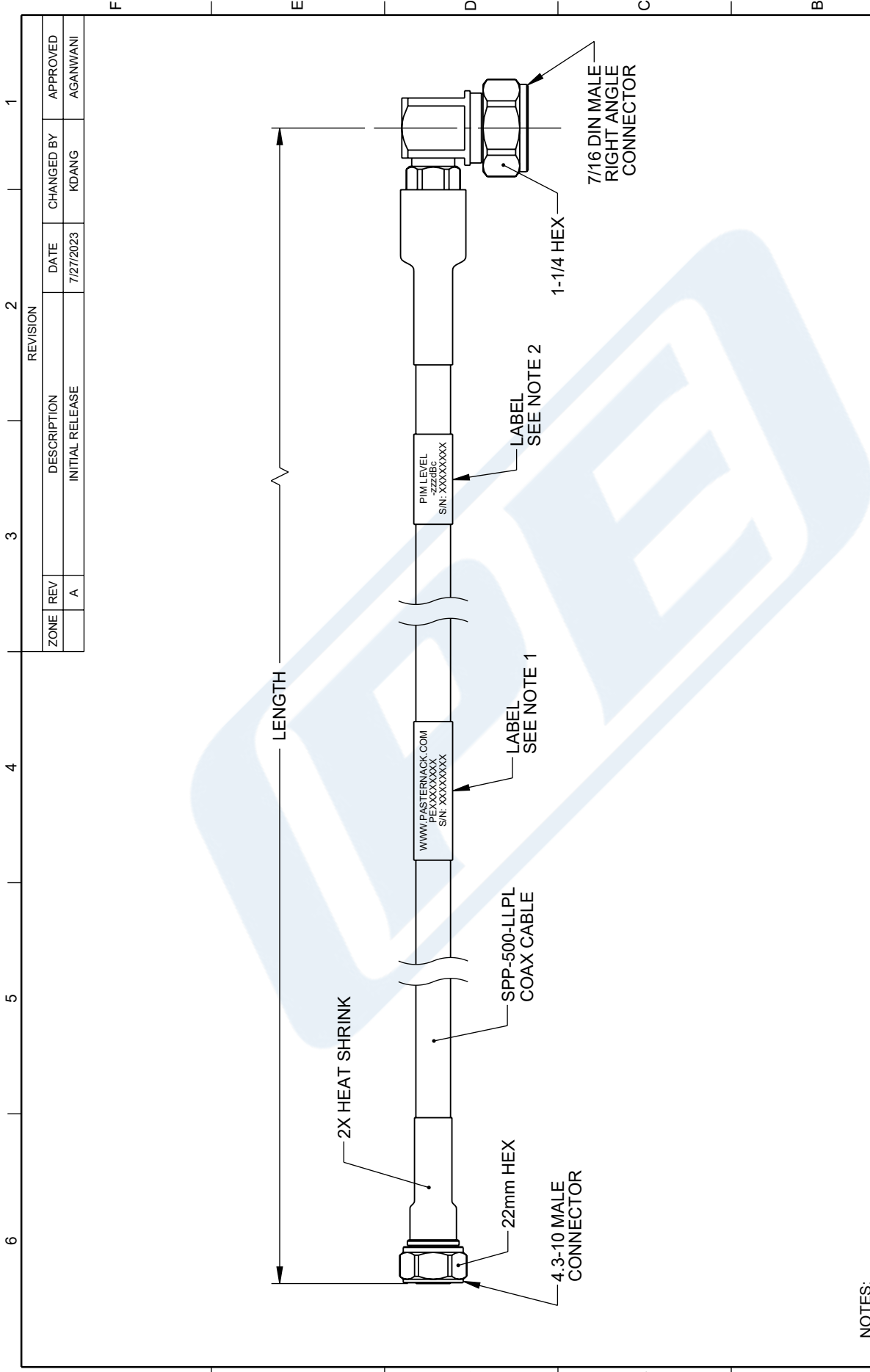
Click the following link (or enter part number in "SEARCH" on website) to obtain additional part information including price, inventory and certifications: [4.3-10 Male to 7/16 DIN Male Right Angle Cable Using SPP-500-LLPL Coax with HeatShrink PE3C9924/HS](#)

URL: <https://www.pasternack.com/4.3-10-male-to-7-16-din-male-cable-using-spp-500-llpl-with-heatshrink-pe3c9924-hs-p.aspx>

The information contained in this document is accurate to the best of our knowledge and representative of the part described herein. It may be necessary to make modifications to the part and/or the documentation of the part, in order to implement improvements. Pasternack reserves the right to make such changes as required. Unless otherwise stated, all specifications are nominal. Pasternack does not make any representation or warranty regarding the suitability of the part described herein for any particular purpose, and Pasternack does not assume any liability arising out of the use of any part or documentation.

PE3C9924/HS CAD Drawing

4.3-10 Male to 7/16 DIN Male Right Angle Cable Using SPP-500-LLPL Coax with HeatShrink



NOTES:

1. CABLE ASSY LENGTH LABEL PLACEMENT: CABLES 84" OR LESS, ONE LABEL APPROX CENTERED. LONGER THAN 84 INCHES, TWO LABELS APPROX 12 INCHES FROM EACH CONNECTOR.
 2. PIM LEVEL LABEL PLACEMENT: APPROX 6 INCHES FROM CABLE END, 1 PLACE, FOR ALL LENGTHS OF CABLE.
 3. CABLES ASSEMBLIES SHALL BE TESTED FOR CONTINUITY.
- THE INFORMATION CONTAINED IN THIS DRAWING IS THE SOLE PROPERTY OF INFINITE ELECTRONICS, INC. ANY REPRODUCTION IN PART OR WHOLE WITHOUT THE WRITTEN PERMISSION OF INFINITE ELECTRONICS, INC. IS PROHIBITED. THESE COMMODITIES, TECHNOLOGY OR SOFTWARE WERE EXPORTED FROM THE UNITED STATES IN ACCORDANCE WITH THE EXPORT ADMINISTRATION REGULATIONS. DIVERSION CONTRARY TO U.S. LAW PROHIBITED.

UNLESS OTHERWISE SPECIFIED LEADING DIMENSIONS ARE INCHES DIMENSIONS IN [] ARE MILLIMETERS	
TOLERANCES:	FRACTIONS
X = ± .2 [.5]	± 1/32
XX = ± .02 [.5]	ANGLES ± 1°
.XXX = ± .005 [.13]	
CABLE LENGTH TOLERANCES:	
<12 [305]	± .1 [25] / -0
>12 [305] ≤ 60 [1524]	± .2 [51] / -0
>60 [1524] ≤ 120 [3048]	± .4 [102] / -0
>120 [3048] ≤ 300 [7620]	± .6 [152] / -0
>300 [7620]	± .8 [203] / -0
ALL DIMENSIONS ARE FOR REFERENCE ONLY AND SUBJECT TO CHANGE WITHOUT NOTICE	

PE PASTERNAK an INFINITO brand			
Website: www.Pasternack.com Phone: 1.866.727.8376 1.949.261.1920			
DESCRIPTION	4.3-10 Male to 7/16 DIN Male Right Angle Cable Using SPP-500-LLPL Coax with HeatShrink		
SCALE	NONE		
SHEET	1 OF 1		
INTERPRET ALL DIMENSIONS AND TOLERANCES PER ASME Y14.5			
SIZE	CAGE CODE	DRAWN BY	ITEM NO.
A	53919	K.DANG	PE3C9924/HS
REV			A