



Pigtail Test Probe Cable SMA Female to Pre-Trimmed Lead Using PE-020SR Coax, RoHS

RF Cable Assemblies Technical Data Sheet

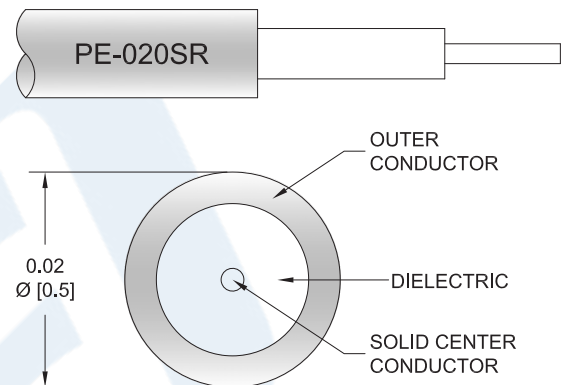
PE3CA1104

Configuration

- Connector 1: SMA Female
- Connector 2: Trimmed Lead
- Cable Type: PE-020SR

Features

- 100% RF Tested prior to final trim
- 1.35 Max VSWR to 6 GHz
- 100% High Pot Tested to 500V
- .020 Diameter Semi Rigid coax
- Individually packed in protective tube



Applications

- Used as an RF Test Probe to 6 GHz
- RF PCB board measurements
- Signal injection

Description

These SMA Female to pre-trimmed cables assemblies are designed to be used as convenient test probes. The pre-trimmed end of the cable assembly has an exposed center conductor and dielectric and is ready for use. A common Research and development application is to solder the trimmed end of the cable to an exposed microstrip trace to inject a signal or to measure a signal of interest. Each cable assembly is individually packaged in a reusable protective tube. These test probes have been 100% RF tested as a two ended assembly prior to trimming in order to verify the assemblies perform to 6 GHz with a maximum VSWR of 1.35:1. Flush Cutt Test Probes are also available.

Electrical Specifications

Description	Minimum	Typical	Maximum	Units
Frequency Range	DC		6	GHz
VSWR			1.35:1	
Operating Voltage (AC)			500	Vrms

Click the following link (or enter part number in "SEARCH" on website) to obtain additional part information including price, inventory and certifications: [Pigtail Test Probe Cable SMA Female to Trimmed Lead Using PE-020SR Coax, RoHS PE3CA1104](#)



Pigtail Test Probe Cable SMA Female to Pre-Trimmed Lead Using PE-020SR Coax, RoHS

RF Cable Assemblies Technical Data Sheet

PE3CA1104

Specifications by Frequency

Description	F1	F2	F3	F4	F5	Units
Frequency	1	6				GHz
Insertion Loss (Typ.)	0.73	1.7				dB/m
	2.4	5.58				dB/ft
VSWR (Max.)	1.35:1	1.35:1				dB/m

Mechanical Specifications

Cable Assembly

Cable

Cable Type	PE-020SR
Impedance	50 Ohms
Inner Conductor Type	Solid
Inner Conductor Material and Plating	Copper Clad Steel, Silver
Dielectric Type	PTFE
Number of Shields	1
Jacket Material	Copper, Tan
Jacket Diameter	0.02 in [0.51 mm]

Connectors

Description	Connector 1	Connector 2
Type	SMA Female	Trimmed Lead
Impedance	50 Ohms	50 Ohms
Outer Conductor Material and Plating	Brass, Gold	
Body Material and Plating	Brass, Gold	

Mechanical Specification Notes:

*All cable assemblies have a length tolerance of 1.5% or $\pm 3/8"$, whichever is greater.

Environmental Specifications

Temperature

Operating Range	+125 deg C
-----------------	------------

Click the following link (or enter part number in "SEARCH" on website) to obtain additional part information including price, inventory and certifications: [Pigtail Test Probe Cable SMA Female to Trimmed Lead Using PE-020SR Coax, RoHS PE3CA1104](#)



Pigtail Test Probe Cable SMA Female to Pre-Trimmed Lead Using PE-020SR Coax, RoHS

RF Cable Assemblies Technical Data Sheet

PE3CA1104

Compliance Certifications (see [product page](#) for current document)

Plotted and Other Data

Notes:

- Values at 25°C, sea level.

How to Order

Part Number Configuration:

PE3CA1104

- **xx**

uu

Unit of Measure:

cm = Centimeters

<blank> = Inches

Length

Base Number

Example: PE3CA1104-12 = 12 inches long cable
PE3CA1104-100cm = 100 cm long cable

Pigtail Test Probe Cable SMA Female to Pre-Trimmed Lead Using PE-020SR Coax, RoHS from Pasternack Enterprises has same day shipment for domestic and International orders. Our RF, microwave and millimeter wave products maintain a 99.4% availability and are part of the broadest selection in the industry.

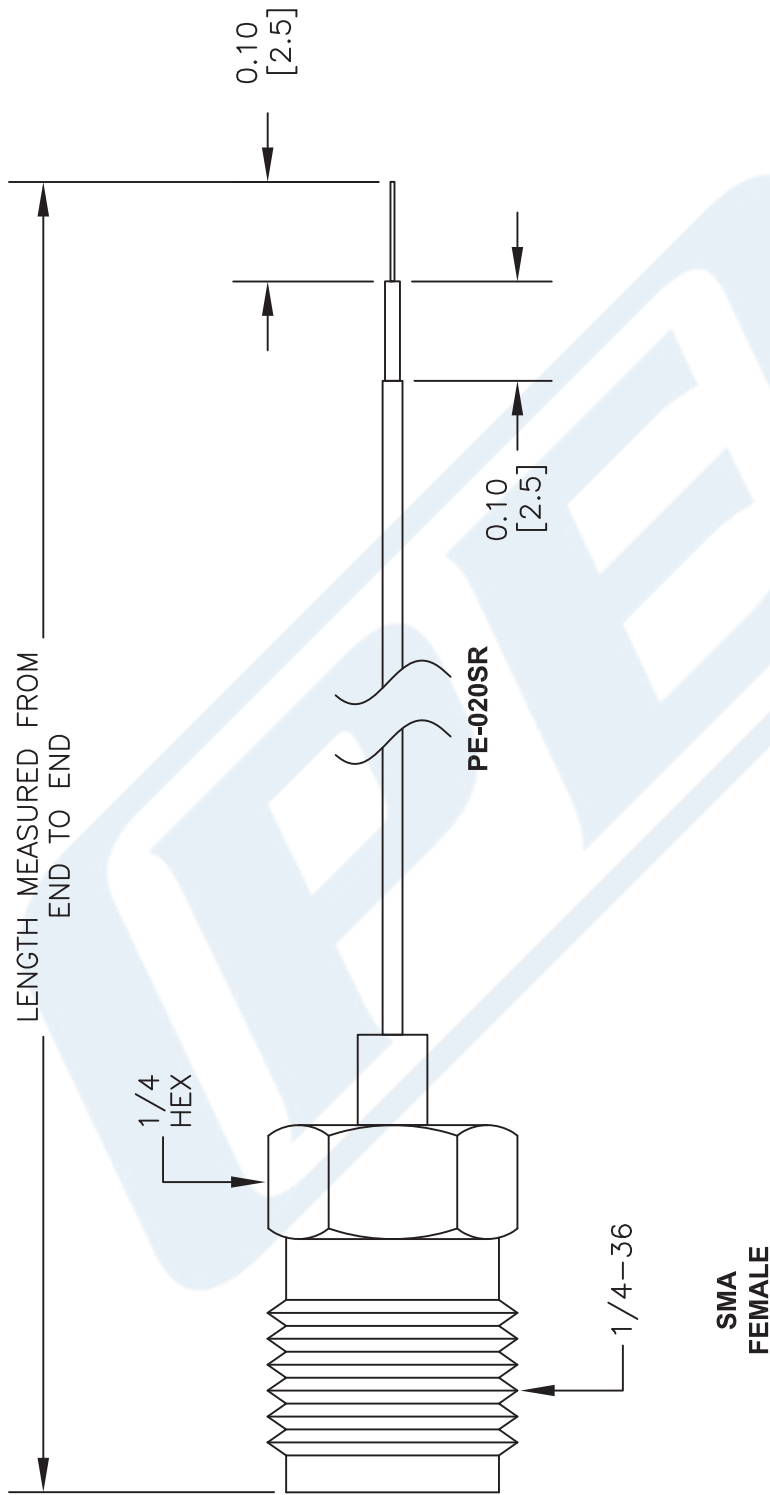
Click the following link (or enter part number in "SEARCH" on website) to obtain additional part information including price, inventory and certifications: [Pigtail Test Probe Cable SMA Female to Trimmed Lead Using PE-020SR Coax, RoHS PE3CA1104](#)

URL: <https://www.pasternack.com/sma-female-unterminated-lead-sexless-pe-020sr-cable-assembly-pe3ca1104-p.aspx>

The information contained in this document is accurate to the best of our knowledge and representative of the part described herein. It may be necessary to make modifications to the part and/or the documentation of the part, in order to implement improvements. Pasternack reserves the right to make such changes as required. Unless otherwise stated, all specifications are nominal. Pasternack does not make any representation or warranty regarding the suitability of the part described herein for any particular purpose, and Pasternack does not assume any liability arising out of the use of any part or documentation.

PE3CA1104 CAD Drawing

Pigtail Test Probe Cable SMA Female to Pre-Trimmed Lead Using PE-020SR Coax, RoHS



DWG TITLE

PE3CA1104

- NOTES:
1. UNLESS OTHERWISE SPECIFIED ALL DIMENSIONS ARE NOMINAL.
 2. ALL SPECIFICATIONS ARE SUBJECT TO CHANGE WITHOUT NOTICE AT ANY TIME.
 3. DIMENSIONS ARE IN INCHES [mm].
 4. LENGTH TOLERANCE IS $\pm 1.5\%$ OR $3/8"$, WHICHEVER IS GREATER.

FSCM NO. 53919

CAD FILE 050815

SCALE N/A

SIZE A

2233



Pasternack Enterprises, Inc.
 P.O. Box 16759 | Irvine | CA | 92623
 Phone: (949) 261-1920 | Fax: (949) 261-7451
 Website: www.pasternack.com | E-Mail: sales@pasternack.com