



## N Male Right Angle to BNC Male Low Loss Cable Using LMR-400-UF Coax with HeatShrink

### RF Cable Assemblies Technical Data Sheet

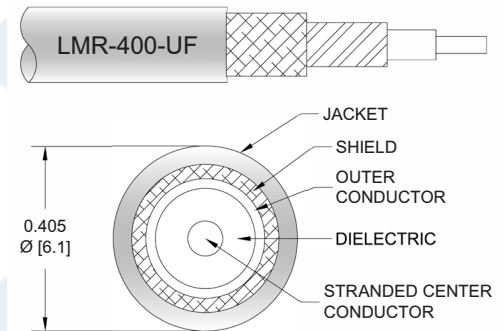
PE3W00935/HS

#### Configuration

- Connector 1: N Male Right Angle
- Connector 2: BNC Male
- Cable Type: LMR-400-UF

#### Features

- Shielding Effectivity > 90 dB
- 85% Phase Velocity
- Double Shielded
- TPE Jacket



#### Applications

- General Purpose
- Laboratory Use

#### Description

Pasternack's PE3W00935/HS type N male right angle to BNC male cable using LMR-400-UF coax is part of our full line of RF components available for same-day shipping. Pasternack's flexible RF cable assemblies are ideal for applications where tight bends and flexure are required. This Pasternack type N to BNC cable assembly has a male to male gender configuration with 50 ohm flexible LMR-400-UF coax. The right angle type N interface on the LMR-400-UF cable allows for easier connections in tight spaces. The double shielding of this Pasternack cable assembly provides excellent shielding effectiveness of better than 90 dB.

Custom versions of most RF cable assemblies can be built and shipped same day. Custom cable assembly lengths can be obtained by specifying the desired length on the web site at time of order or by contacting a sales representative. Other available RF cable assembly value added services include connector orientation or clocking, heat shrink booting and custom labeling. RF testing can also be performed to document the electrical performance of your cable assembly.

Click the following link (or enter part number in "SEARCH" on website) to obtain additional part information including price, inventory and certifications: [N Male Right Angle to BNC Male Low Loss Cable Using LMR-400-UF Coax with HeatShrink PE3W00935/HS](#)



N Male Right Angle to BNC Male Low Loss Cable  
Using LMR-400-UF Coax with HeatShrink

**RF Cable Assemblies Technical Data Sheet**

**PE3W00935/HS**

**Electrical Specifications**

Description	Minimum	Typical	Maximum	Units
Velocity of Propagation		85		%
RF Shielding	90			dB
Group Delay		1.2 [3.94]		ns/ft [ns/m]
Capacitance		23.9 [78.41]		pF/ft [pF/m]
Inductance		0.06 [0.2]		uH/ft [uH/m]
DC Resistance Inner Conductor		1.07 [3.51]		$\Omega$ /1000ft [ $\Omega$ /Km]
DC Resistance Outer Conductor		1.65 [5.41]		$\Omega$ /1000ft [ $\Omega$ /Km]
Jacket Spark			8,000	Vrms

**Mechanical Specifications**

**Cable Assembly**

Weight 0.253 lbs [114.76 g]

**Cable**

Cable Type LMR-400-UF  
 Impedance 50 Ohms  
 Inner Conductor Type Stranded  
 Inner Conductor Material and Plating Copper  
 Dielectric Type PE (F)  
 Number of Shields 2  
 Shield Layer 1 Aluminum Tape  
 Shield Layer 2 Tinned Copper Braid  
 Jacket Material TPE, Black  
 Jacket Diameter 0.405 in [10.29 mm]

One Time Minimum Bend Radius 1 in [25.4 mm]  
 Repeated Minimum Bend Radius 4 in [101.6 mm]  
 Bending Moment 0.38 lbs-ft [0.52 N-m]  
 Flat Plate Crush 20 lbs/in [0.36 Kg/mm]  
 Tensile Strength 160 lbs [72.57 Kg]

Click the following link (or enter part number in "SEARCH" on website) to obtain additional part information including price, inventory and certifications: [N Male Right Angle to BNC Male Low Loss Cable Using LMR-400-UF Coax with HeatShrink PE3W00935/HS](#)



N Male Right Angle to BNC Male Low Loss Cable  
Using LMR-400-UF Coax with HeatShrink

**RF Cable Assemblies Technical Data Sheet**

**PE3W00935/HS**

**Connectors**

Description	Connector 1	Connector 2
Type	N Male Right Angle	BNC Male
Specification	MIL-STD-348A	MIL-STD-348
Impedance	50 Ohms	50 Ohms
Mating Cycles	500	
Contact Material and Plating	Brass, Gold	Silver
Contact Plating Specification	30 µin minimum	QQ-S-365
Dielectric Type	PTFE	PTFE
Body Material and Plating	Brass, Tri-Metal	Brass, Nickel
Body Plating Specification		QQ-N-290
Coupling Nut Material and Plating	Brass, Tri-Metal	Brass, Nickel
Coupling Nut Plating Specification		QQ-N-290

**Environmental Specifications**

**Temperature**

Operating Range -40 to +85 deg C

**Compliance Certifications** (see [product page](#) for current document)

**Plotted and Other Data**

Notes:

Click the following link (or enter part number in "SEARCH" on website) to obtain additional part information including price, inventory and certifications: [N Male Right Angle to BNC Male Low Loss Cable Using LMR-400-UF Coax with HeatShrink PE3W00935/HS](#)



N Male Right Angle to BNC Male Low Loss Cable  
Using LMR-400-UF Coax with HeatShrink

**RF Cable Assemblies Technical Data Sheet**

**PE3W00935/HS**

**How to Order**

Part Number Configuration:

**PE3W00935/HS - xx uu**

Unit of Measure:  
cm = Centimeters  
<blank> = Inches  
Length  
Base Number

Example: PE3W00935/HS-12 = 12 inches long cable  
PE3W00935/HS-100cm = 100 cm long cable

N Male Right Angle to BNC Male Low Loss Cable Using LMR-400-UF Coax with HeatShrink from Pasternack Enterprises has same day shipment for domestic and International orders. Our RF, microwave and millimeter wave products maintain a 99.4% availability and are part of the broadest selection in the industry.

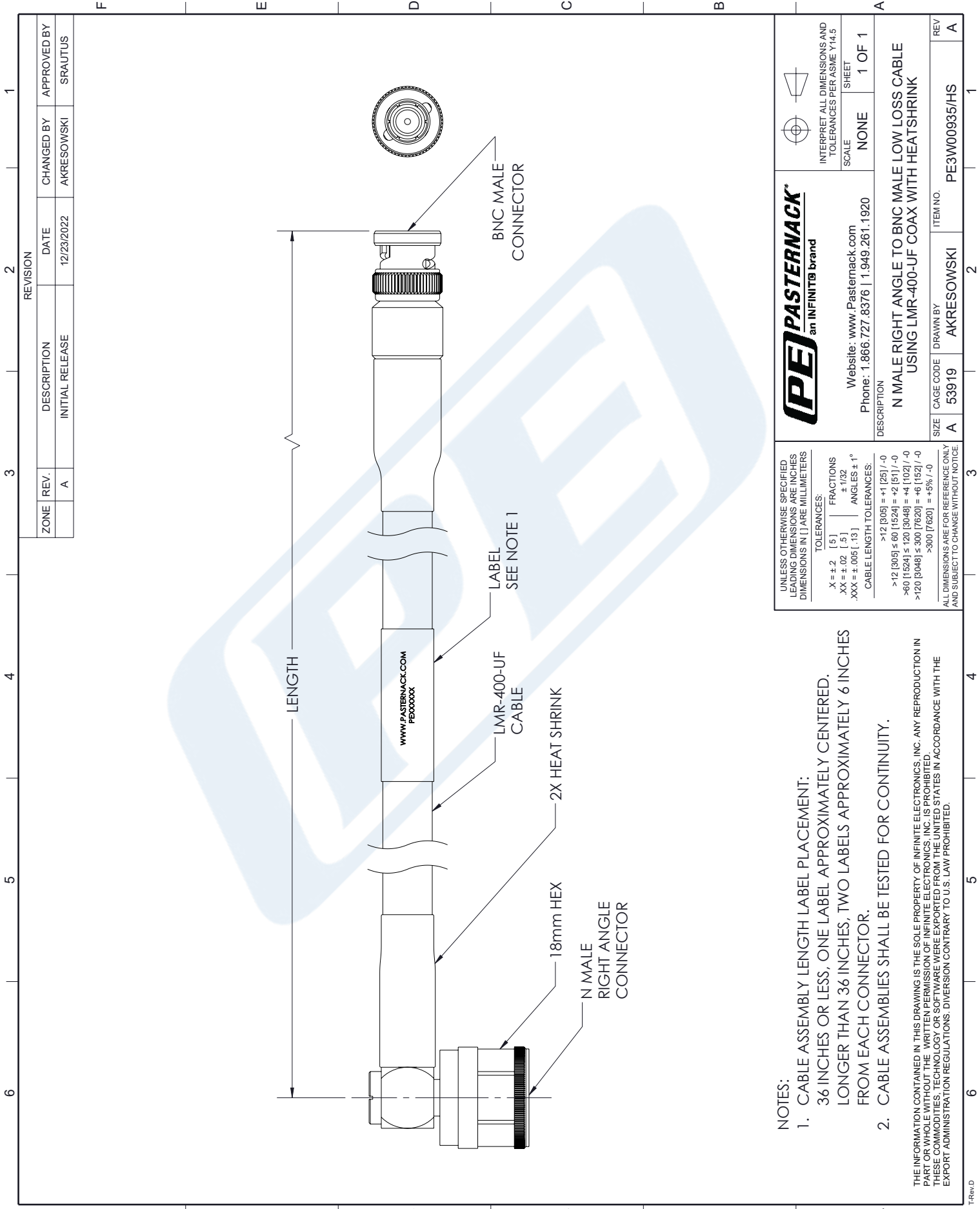
Click the following link (or enter part number in "SEARCH" on website) to obtain additional part information including price, inventory and certifications: [N Male Right Angle to BNC Male Low Loss Cable Using LMR-400-UF Coax with HeatShrink PE3W00935/HS](#)

URL: <https://www.pasternack.com/n-male-right-angle-to-bnc-male-low-loss-cable-using-lmr-400-uf-with-heatshrink-pe3w00935-hs-p.aspx>

The information contained in this document is accurate to the best of our knowledge and representative of the part described herein. It may be necessary to make modifications to the part and/or the documentation of the part, in order to implement improvements. Pasternack reserves the right to make such changes as required. Unless otherwise stated, all specifications are nominal. Pasternack does not make any representation or warranty regarding the suitability of the part described herein for any particular purpose, and Pasternack does not assume any liability arising out of the use of any part or documentation.

# PE3W00935/HS CAD Drawing

## N Male Right Angle to BNC Male Low Loss Cable Using LMR-400-UF Coax with HeatShrink



- NOTES:**
- CABLE ASSEMBLY LENGTH LABEL PLACEMENT: 36 INCHES OR LESS, ONE LABEL APPROXIMATELY CENTERED. LONGER THAN 36 INCHES, TWO LABELS APPROXIMATELY 6 INCHES FROM EACH CONNECTOR.
  - CABLE ASSEMBLIES SHALL BE TESTED FOR CONTINUITY.

UNLESS OTHERWISE SPECIFIED LEADING DIMENSIONS ARE INCHES DIMENSIONS IN [ ] ARE MILLIMETERS

**TOLERANCES:**

X = ± .2 [ .5 ]	FRACTIONS ± 1/32
.XX = ± .02 [ .5 ]	ANGLES ± 1°
.XXX = ± .005 [ .13 ]	CABLE LENGTH TOLERANCES:

>12 [305] = +1 [25] / -0  
 >60 [1524] = +2 [51] / -0  
 >60 [1524] ≤ 120 [3048] = +4 [102] / -0  
 >120 [3048] ≤ 300 [7620] = +6 [152] / -0  
 >300 [7620] = +5% / -0

ALL DIMENSIONS ARE FOR REFERENCE ONLY AND SUBJECT TO CHANGE WITHOUT NOTICE

<b>PE PASTERNAK</b> an INFINITIB brand		
Website: <a href="http://www.Pasternack.com">www.Pasternack.com</a> Phone: 1.866.727.8376   1.949.261.1920		INTERPRET ALL DIMENSIONS AND TOLERANCES PER ASME Y14.5 SCALE: NONE SHEET: 1 OF 1
DESCRIPTION: N MALE RIGHT ANGLE TO BNC MALE LOW LOSS CABLE USING LMR-400-UF COAX WITH HEATSHRINK		
SIZE	CAGE CODE	DRAWN BY
A	53919	AKRESOWSKI
ITEM NO.		REV
PE3W00935/HS		A