



SMA Male to SMA Male Cable Using PE-P195 Coax

TECHNICAL DATA SHEET

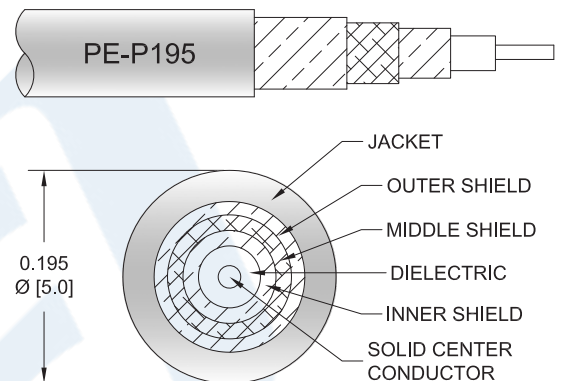
PE3W01240

Configuration

- Connector 1: SMA Male
- Connector 2: SMA Male
- Cable Type: PE-P195
- Coax Flex Type: Flexible

Features

- Max Frequency 12.4 GHz
- Triple Shielded
- FEP Jacket



Applications

- General Purpose
- Laboratory Use

Description

Pasternack's PE3W01240 SMA male to SMA male cable using PE-P195 coax is part of our full line of RF components available for same-day shipping. Pasternack's flexible RF cable assemblies are ideal for applications where tight bends and flexure are required. This Pasternack SMA to SMA cable assembly has a male to male gender configuration with 50 ohm flexible PE-P195 coax. The PE3W01240 SMA male to SMA male cable assembly operates to 12.4 GHz. The triple shielding of this Pasternack cable assembly provides excellent shielding effectiveness.

Custom versions of most RF cable assemblies can be built and shipped same day. Custom cable assembly lengths can be obtained by specifying the desired length on the web site at time of order or by contacting a sales representative. Other available RF cable assembly value added services include connector orientation or clocking, heat shrink booting and custom labeling. RF testing can also be performed to document the electrical performance of your cable assembly.

Click the following link (or enter part number in "SEARCH" on website) to obtain additional part information including price, inventory and certifications: [SMA Male to SMA Male Cable Using PE-P195 Coax PE3W01240](#)



SMA Male to SMA Male Cable Using PE-P195 Coax

TECHNICAL DATA SHEET

PE3W01240

Electrical Specifications

Description	Minimum	Typical	Maximum	Units
Frequency Range	DC		12.4	GHz
Capacitance		29 [95.14]		pF/ft [pF/m]
Jacket Spark			2,000	Vrms

Specifications by Frequency

Part Number	Length	Description	F1	F2	F3	F4	F5	Units	Weight (lbs)
			500	1000	2500	5000	#####		
PE3W01240	Custom Lengths Available	Insertion Loss (Typ.)	0.09	0.12	0.19	0.31	0.51	dB/ft	
			0.29	0.4	0.63	1.02	1.68	dB/m	
PE3W01240-12	12 inch	Insertion Loss (Typ.)	0.29	0.32	0.39	0.51	0.71	dB	0.062
PE3W01240-24	24 inch	Insertion Loss (Typ.)	0.38	0.44	0.58	0.82	1.22	dB	0.101
PE3W01240-36	36 inch	Insertion Loss (Typ.)	0.47	0.56	0.77	1.13	1.73	dB	0.139
PE3W01240-60	60 inch	Insertion Loss (Typ.)	0.64	0.8	1.15	1.75	2.75	dB	0.215
PE3W01240-72	72 inch	Insertion Loss (Typ.)	0.73	0.92	1.34	2.06	3.26	dB	0.253

The insertion loss data for the base model does not include loss due to the connectors. Each length includes insertion loss due to the connectors.

Loss due to Connector 1:	0.1 dB
Loss due to Connector 2:	0.1 dB
Base Weight:	0.062 pounds
Additional Weight per Inch:	0.00317 pounds

Electrical Specification Notes:

Insertion Loss does not include the loss of the connectors. Insertion Loss is estimated as 0.1 dB per connector.

Mechanical Specifications

Cable Assembly

Weight 0.062 lbs [28.12 g]

Click the following link (or enter part number in "SEARCH" on website) to obtain additional part information including price, inventory and certifications: [SMA Male to SMA Male Cable Using PE-P195 Coax PE3W01240](#)



SMA Male to SMA Male Cable Using PE-P195 Coax

TECHNICAL DATA SHEET

PE3W01240

Cable

Cable Type	PE-P195
Impedance	50 Ohms
Inner Conductor Type	Solid
Inner Conductor Material and Plating	Copper Clad Steel, Silver
Dielectric Type	PTFE
Number of Shields	3
Shield Layer 1	Silver Plated Copper
Shield Layer 2	Aluminum Tape
Shield Layer 3	Silver Plated Copper Braid
Jacket Material	FEP, Tan
Jacket Diameter	0.195 in [4.95 mm]

Connectors

Description	Connector 1	Connector 2
Type	SMA Male Threaded	SMA Male Threaded
Impedance	50 Ohms	50 Ohms
Contact Material and Plating	Brass, Gold	Brass, Gold
Dielectric Type	PTFE	PTFE
Body Material and Plating	Brass, Nickel	Brass, Nickel
Coupling Nut Material and Plating	Brass, Nickel	Brass, Nickel
Hex Size	5/16 in.	5/16 in.
Torque	5 in-lbs [0.57 Nm]	5 in-lbs [0.57 Nm]

Compliance Certifications (see [product page](#) for current document)

Plotted and Other Data

Notes:

Click the following link (or enter part number in "SEARCH" on website) to obtain additional part information including price, inventory and certifications: [SMA Male to SMA Male Cable Using PE-P195 Coax PE3W01240](#)



SMA Male to SMA Male Cable Using PE-P195 Coax

TECHNICAL DATA SHEET

PE3W01240

How to Order

Part Number Configuration:

PE3W01240

- **xx**

uu

Unit of Measure:
cm = Centimeters
<blank> = Inches
Length
Base Number

Example: PE3W01240-12 = 12 inches long cable
PE3W01240-100cm = 100 cm long cable

SMA Male to SMA Male Cable Using PE-P195 Coax from Pasternack Enterprises has same day shipment for domestic and International orders. Our RF, microwave and millimeter wave products maintain a 99.4% availability and are part of the broadest selection in the industry.

Click the following link (or enter part number in "SEARCH" on website) to obtain additional part information including price, inventory and certifications: [SMA Male to SMA Male Cable Using PE-P195 Coax PE3W01240](#)

URL: <https://www.pasternack.com/sma-male-sma-male-pe-p195-cable-assembly-pe3w01240-p.aspx>

The information contained in this document is accurate to the best of our knowledge and representative of the part described herein. It may be necessary to make modifications to the part and/or the documentation of the part, in order to implement improvements. Pasternack reserves the right to make such changes as required. Unless otherwise stated, all specifications are nominal. Pasternack does not make any representation or warranty regarding the suitability of the part described herein for any particular purpose, and Pasternack does not assume any liability arising out of the use of any part or documentation.

