

## SMA Male Right Angle to SMA Male Low Loss Cable Using PE-C200 Coax with HeatShrink



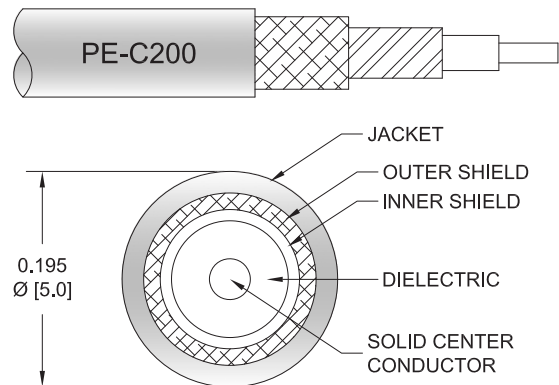
### PE3W01408/HS

#### Configuration

- Connector 1: SMA Male Right Angle
- Connector 2: SMA Male
- Cable Type: PE-C200
- Coax Flex Type: Flexible

#### Features

- Shielding Effectivity > 90 dB
- 83% Phase Velocity
- Double Shielded
- PE Jacket



#### Applications

- General Purpose
- Laboratory Use

#### Description

Pasternack's PE3W01408/HS SMA male right angle to SMA male cable using PE-C200 coax is part of our full line of RF components available for same-day shipping. Pasternack's flexible RF cable assemblies are ideal for applications where tight bends and flexure are required. This Pasternack SMA to SMA cable assembly has a male to male gender configuration with 50 ohm flexible PE-C200 coax. The right angle SMA interface on the PE-C200 cable allows for easier connections in tight spaces. The double shielding of this Pasternack cable assembly provides excellent shielding effectiveness of better than 90 dB.

Custom versions of most RF cable assemblies can be built and shipped same day. Custom cable assembly lengths can be obtained by specifying the desired length on the web site at time of order or by contacting a sales representative. Other available RF cable assembly value added services include connector orientation or clocking, heat shrink booting and custom labeling. RF testing can also be performed to document the electrical performance of your cable assembly.

#### Electrical Specifications

Description	Minimum	Typical	Maximum	Units
Velocity of Propagation		83		%
RF Shielding	90			dB
Capacitance		24.5 [80.38]		pF/ft [pF/m]
Jacket Spark			3,000	Vrms

#### Mechanical Specifications

##### Cable Assembly

Width/Diameter 0.5 in [12.7 mm]  
Weight 0.037 lbs [16.78 g]

##### Cable

Cable Type PE-C200

## SMA Male Right Angle to SMA Male Low Loss Cable Using PE-C200 Coax with HeatShrink



### PE3W01408/HS

Impedance	50 Ohms
Inner Conductor Type	Solid
Inner Conductor Material and Plating	Copper
Dielectric Type	PE (F)
Number of Shields	2
Shield Layer 1	Aluminum Tape
Shield Layer 2	Tinned Copper Braid
Jacket Material	PE, Black
Jacket Diameter	0.195 in [4.95 mm]

#### Connectors

Description	Connector 1	Connector 2
Type	SMA Male Right Angle	SMA Male
Impedance	50 Ohms	50 Ohms
Configuration	Right Angle	Straight
Contact Material and Plating	Brass, Gold	Brass, Gold
Dielectric Type	PTFE	PTFE
Body Material and Plating	Brass, Gold	Brass, Gold
Coupling Nut Material and Plating	Brass, Gold	Brass, Gold
Hex Size		5/16 Inch

#### Environmental Specifications

**Compliance Certifications** (see [product page](#) for current document)

#### Plotted and Other Data

Notes:

## SMA Male Right Angle to SMA Male Low Loss Cable Using PE-C200 Coax with HeatShrink



### PE3W01408/HS

#### Typical Performance Data

#### How to Order

Part Number Configuration:

**PE3W01408/HS**

- **xx**

**uu**

Unit of Measure:

cm = Centimeters

<blank> = Inches

Length

Base Number

Example: PE3W01408/HS-12 = 12 inches long cable  
PE3W01408/HS-100cm = 100 cm long cable

SMA Male Right Angle to SMA Male Low Loss Cable Using PE-C200 Coax with HeatShrink from Pasternack Enterprises has same day shipment for domestic and International orders. Our RF, microwave and millimeter wave products maintain a 99.4% availability and are part of the broadest selection in the industry.

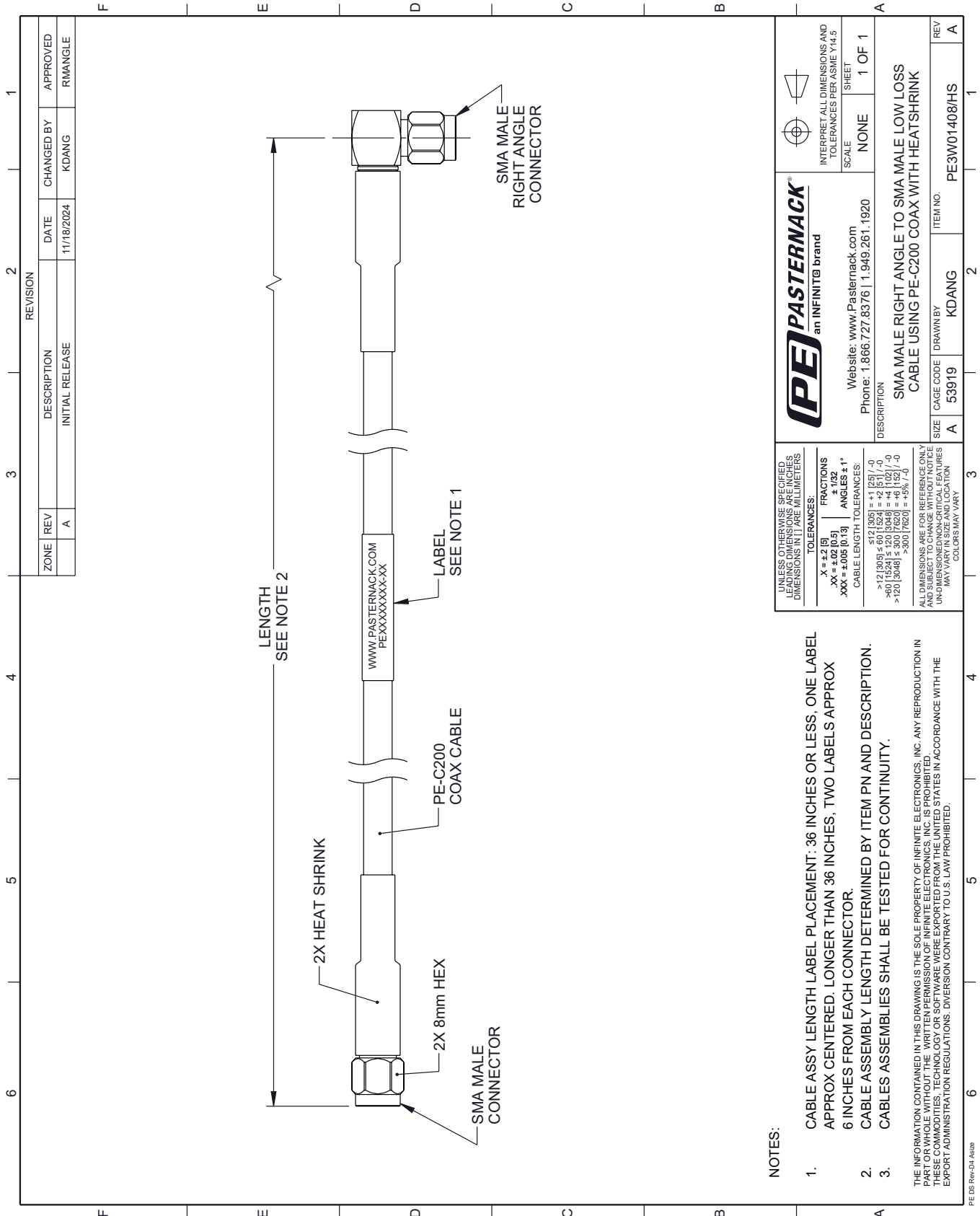
Click the following link (or enter part number in "SEARCH" on website) to obtain additional part information including price, inventory and certifications: [SMA Male Right Angle to SMA Male Low Loss Cable Using PE-C200 Coax with HeatShrink PE3W01408/HS](#)

URL: <https://www.pasternack.com/sma-male-right-angle-to-sma-male-low-loss-cable-using-pe-c200-with-heatshrink-pe3w01408-hs-p.aspx>

The information contained within this document is accurate to the best of our knowledge and representative of the part described herein. It may be necessary to make modifications to the part and/or the documentation of the part in order to implement improvements. Pasternack Enterprises reserves the right to make such changes as required. Unless otherwise stated, all specifications are nominal. Pasternack Enterprises does not make any representation or warranty regarding the suitability of the part described herein for any particular purpose, and Pasternack Enterprises does not assume liability arising out of the use of any part or document.

# PE3W01408/HS CAD Drawing

SMA Male Right Angle to SMA Male Low Loss Cable Using PE-C200 Coax with HeatShrink



**NOTES:**

1. CABLE ASSY LENGTH LABEL PLACEMENT: .36 INCHES OR LESS, ONE LABEL APPROX CENTERED, LONGER THAN .36 INCHES, TWO LABELS APPROX .6 INCHES FROM EACH CONNECTOR.
2. CABLE ASSEMBLY LENGTH DETERMINED BY ITEM PN AND DESCRIPTION.
3. CABLE ASSEMBLIES SHALL BE TESTED FOR CONTINUITY.

THE INFORMATION CONTAINED IN THIS DRAWING IS THE SOLE PROPERTY OF INFINITE ELECTRONICS, INC. ANY REPRODUCTION IN PART OR WHOLE WITHOUT THE WRITTEN PERMISSION OF INFINITE ELECTRONICS, INC. IS PROHIBITED. THESE COMMODITIES, TECHNOLOGY OR SOFTWARE WERE EXPORTED FROM THE UNITED STATES IN ACCORDANCE WITH THE EXPORT ADMINISTRATION REGULATIONS. DIVERSION CONTRARY TO U.S. LAW PROHIBITED.

UNLESS OTHERWISE SPECIFIED, LEADING DIMENSIONS ARE IN INCHES. DIMENSIONS IN [ ] ARE MILLIMETERS

**TOLERANCES:**  
 .X = ±.2 [5]  
 .XX = ±.02 [0.5]  
 .XXX = ±.005 [0.13]  
 CABLE LENGTH TOLERANCES:  
 <12 [305] ±.60 [1524] = ±.2 [51] / -0  
 >12 [305] ±.60 [1524] = ±.2 [51] / -0  
 >40 [1024] ±.120 [3048] = ±.4 [1027] / -0  
 >120 [3048] ±.300 [7620] = ±.93 [233] / -0

ALL DIMENSIONS ARE FOR REFERENCE ONLY. UNDIMENSIONED NON-CRITICAL FEATURES MAY VARY IN SIZE AND LOCATION. COLORS MAY VARY.



an INFINITE brand  
 Website: www.Pasternack.com  
 Phone: 1.866.727.8376 | 1.949.261.1920

INTERPRET ALL DIMENSIONS AND TOLERANCES PER ASME Y14.5  
 SCALE NONE  
 SHEET 1 OF 1

DESCRIPTION  
 SMA MALE RIGHT ANGLE TO SMA MALE LOW LOSS CABLE USING PE-C200 COAX WITH HEATSHRINK  
 CAGE CODE 53919  
 DRAWN BY KDANG  
 ITEM NO. PE3W01408/HS

SIZE	REV
A	A