

Reverse Polarity SMA Plug Right Angle to BNC Male Cable Using RG174 Coax with HeatShrink



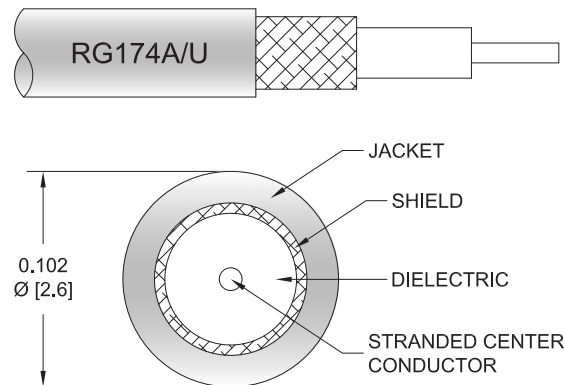
PE3W01511/HS

Configuration

- Connector 1: SMA Plug Reverse Polarity Right Angle
- Connector 2: BNC Male
- Cable Type: RG174
- Coax Flex Type: Flexible

Features

- 66% Phase Velocity
- PVC Jacket



Applications

- General Purpose
- Laboratory Use

Description

Pasternack's PE3W01511/HS reverse polarity SMA plug right angle to BNC male cable using RG174 coax is part of our full line of RF components available for same-day shipping. Pasternack's flexible RF cable assemblies are ideal for applications where tight bends and flexure are required. This Pasternack reverse polarity SMA to BNC cable assembly has a plug to male gender configuration with 50 ohm flexible RG174 coax. The right angle SMA interface on the RG174 cable allows for easier connections in tight spaces.

Custom versions of most RF cable assemblies can be built and shipped same day. Custom cable assembly lengths can be obtained by specifying the desired length on the web site at time of order or by contacting a sales representative. Other available RF cable assembly value added services include connector orientation or clocking, heat shrink booting and custom labeling. RF testing can also be performed to document the electrical performance of your cable assembly.

Electrical Specifications

| Description | Minimum | Typical | Maximum | Units |
|-------------------------|---------|----------------|---------|--------------|
| Velocity of Propagation | | 66 | | % |
| Capacitance | | 31.08 [101.97] | | pF/ft [pF/m] |

Mechanical Specifications

Cable Assembly

| | |
|----------------|---------------------|
| Width/Diameter | 0.5 in [12.7 mm] |
| Weight | 0.038 lbs [17.24 g] |

Cable

| | |
|--------------------------------------|-------------------|
| Cable Type | RG174 |
| Impedance | 50 Ohms |
| Inner Conductor Type | Stranded |
| Inner Conductor Material and Plating | Copper Clad Steel |
| Dielectric Type | PE |

Reverse Polarity SMA Plug Right Angle to BNC
Male Cable Using RG174 Coax with HeatShrink



PE3W01511/HS

| | |
|-------------------|---------------------|
| Number of Shields | 1 |
| Shield Layer 1 | Tinned Copper Braid |
| Jacket Material | PVC, Black |
| Jacket Diameter | 0.11 in [2.79 mm] |

Connectors

| Description | Connector 1 | Connector 2 |
|------------------------------------|---------------------------------------|-----------------|
| Type | SMA Plug Reverse Polarity Right Angle | BNC Male |
| Specification | MIL-STD-348 | MIL-STD-348A |
| Impedance | 50 Ohms | 50 Ohms |
| Configuration | Right Angle | Straight |
| Contact Material and Plating | Gold | Brass, Gold |
| Contact Plating Specification | MIL-G-45204 | 50 µin minimum |
| Dielectric Type | PTFE | PTFE |
| Body Material and Plating | Brass, Nickel | Brass, Nickel |
| Body Plating Specification | QQ-N-290 | 100 µin minimum |
| Coupling Nut Material and Plating | Brass, Nickel | Brass, Nickel |
| Coupling Nut Plating Specification | QQ-N-290 | 100 µin minimum |
| Hex Size | 5/16 inch | |
| Torque | 3 in-lbs 0.34 Nm | |

Environmental Specifications

Compliance Certifications (see [product page](#) for current document)

Plotted and Other Data

Notes:

Reverse Polarity SMA Plug Right Angle to BNC Male Cable Using RG174 Coax with HeatShrink



PE3W01511/HS

Typical Performance Data

How to Order

Part Number Configuration:

PE3W01511/HS

- **xx**

uu

Unit of Measure:

cm = Centimeters

<blank> = Inches

Length

Base Number

Example: PE3W01511/HS-12 = 12 inches long cable
PE3W01511/HS-100cm = 100 cm long cable

Reverse Polarity SMA Plug Right Angle to BNC Male Cable Using RG174 Coax with HeatShrink from Pasternack Enterprises has same day shipment for domestic and International orders. Our RF, microwave and millimeter wave products maintain a 99.4% availability and are part of the broadest selection in the industry.

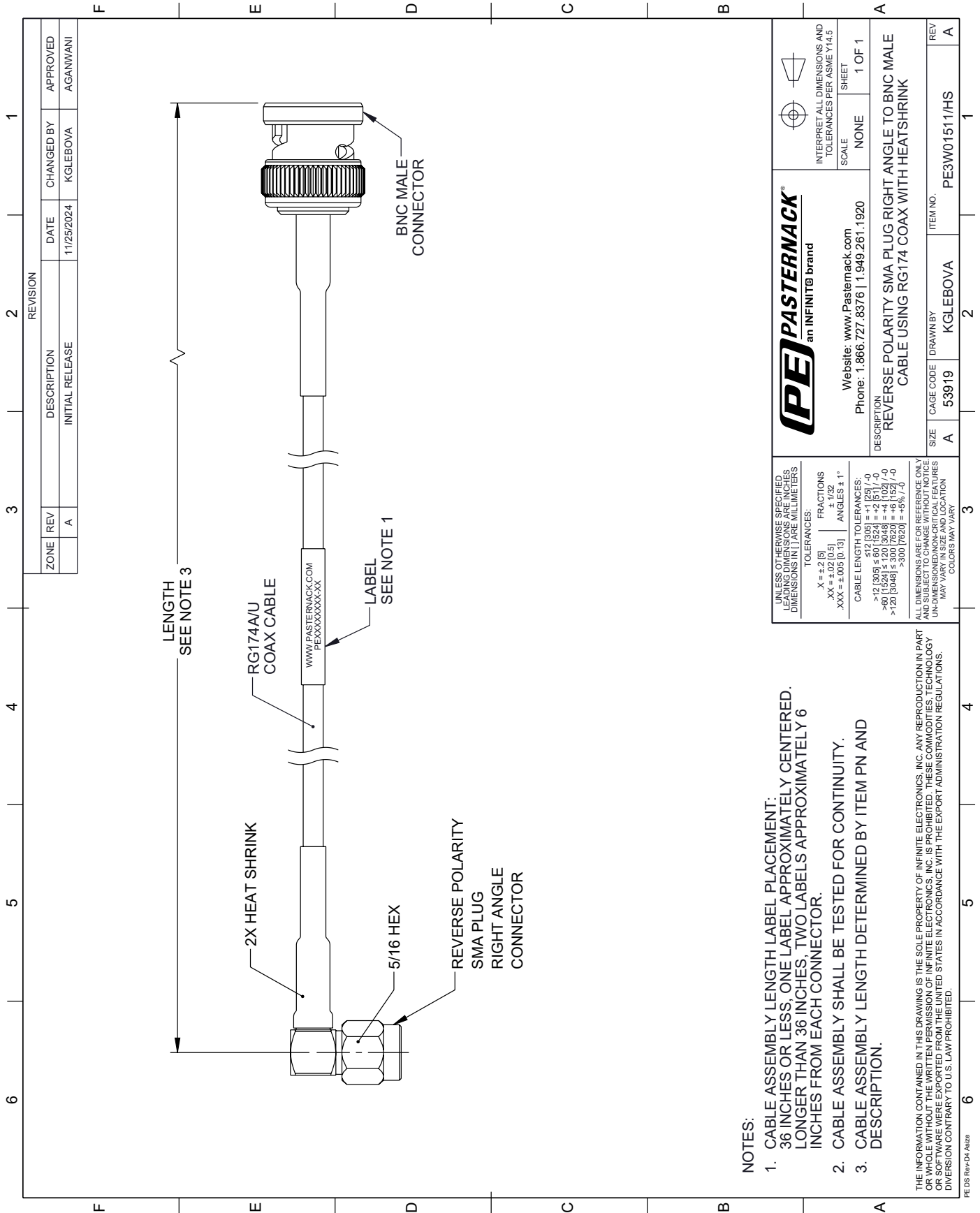
Click the following link (or enter part number in "SEARCH" on website) to obtain additional part information including price, inventory and certifications: [Reverse Polarity SMA Plug Right Angle to BNC Male Cable Using RG174 Coax with HeatShrink PE3W01511/HS](#)

URL: <https://www.pasternack.com/reverse-polarity-sma-plug-right-angle-to-bnc-male-cable-using-rg174-with-heatshrink-pe3w01511-hs-p.aspx>

The information contained within this document is accurate to the best of our knowledge and representative of the part described herein. It may be necessary to make modifications to the part and/or the documentation of the part in order to impliment improvements. Pasternack Enterprises reserves the right to make such changes as required. Unless otherwise stated, all specifications are nominal. Pasternack Enterprises does not make any representation or warranty regarding the suitability of the part described herein for any particular purpose, and Pasternack Enterprises does not assume liability arising out of the use of any part or document.

PE3W01511/HS CAD Drawing

Reverse Polarity SMA Plug Right Angle to BNC Male Cable Using RG174 Coax with HeatShrink



NOTES:

1. CABLE ASSEMBLY LENGTH LABEL PLACEMENT: 36 INCHES OR LESS, ONE LABEL APPROXIMATELY CENTERED. LONGER THAN 36 INCHES, TWO LABELS APPROXIMATELY 6 INCHES FROM EACH CONNECTOR.
2. CABLE ASSEMBLY SHALL BE TESTED FOR CONTINUITY.
3. CABLE ASSEMBLY LENGTH DETERMINED BY ITEM PN AND DESCRIPTION.

THE INFORMATION CONTAINED IN THIS DRAWING IS THE SOLE PROPERTY OF INFINITE ELECTRONICS, INC. ANY REPRODUCTION IN PART OR WHOLE WITHOUT THE WRITTEN PERMISSION OF INFINITE ELECTRONICS, INC. IS PROHIBITED. THESE COMMODITIES, TECHNOLOGY OR SOFTWARE WERE EXPORTED FROM THE UNITED STATES IN ACCORDANCE WITH THE EXPORT ADMINISTRATION REGULATIONS. DIVERSION CONTRARY TO U.S. LAW PROHIBITED.

| <p>UNLESS OTHERWISE SPECIFIED LEADING DIMENSIONS ARE INCHES DIMENSIONS IN PAREMILLIMETERS</p> <p>TOLERANCES:</p> <p>X = ±.2 [5] FRACTIONS ± 1/32 .XX = ±.02 [0.5] ANGLES ± 1° .XXX = ±.005 [0.13]</p> <p>CABLE LENGTH TOLERANCES: >12 [305] ≤ 60 [1524] = +.1 [25] / -0 >60 [1524] ≤ 120 [3048] = +.4 [102] / -0 >120 [3048] ≤ 360 [9144] = +.8 [203] / -0 >360 [9144] = +.8 [203] / -0</p> <p>ALL DIMENSIONS ARE FOR REFERENCE ONLY UNLESS OTHERWISE SPECIFIED. DIMENSIONS ON CRITICAL FEATURES MAY VARY IN SIZE AND LOCATION. COLORS MAY VARY.</p> | | <p>PE PASTERNAK an INFINITTE brand</p> <p>Website: www.Pasternack.com Phone: 1.866.727.8376 1.949.261.1920</p> | | <p>INTERPRET ALL DIMENSIONS AND TOLERANCES PER ASME Y14.5</p> <p>SCALE: NONE</p> <p>SHEET: 1 OF 1</p> | | | | | | | | | | | | |
|--|-----|--|------------|---|----------|------------|----------|--|---|-----------------|------------|----------|----------|---|--|---------------|
| <p>REVISION</p> <table border="1"> <tr> <th>ZONE</th> <th>REV</th> <th>DESCRIPTION</th> <th>DATE</th> <th>CHANGED BY</th> <th>APPROVED</th> </tr> <tr> <td></td> <td>A</td> <td>INITIAL RELEASE</td> <td>11/25/2024</td> <td>KGLEBOVA</td> <td>AGANWANI</td> </tr> </table> | | ZONE | REV | DESCRIPTION | DATE | CHANGED BY | APPROVED | | A | INITIAL RELEASE | 11/25/2024 | KGLEBOVA | AGANWANI | <p>DESCRIPTION REVERSE POLARITY SMA PLUG RIGHT ANGLE TO BNC MALE CABLE USING RG174 COAX WITH HEATSHRINK</p> | | <p>REV: A</p> |
| ZONE | REV | DESCRIPTION | DATE | CHANGED BY | APPROVED | | | | | | | | | | | |
| | A | INITIAL RELEASE | 11/25/2024 | KGLEBOVA | AGANWANI | | | | | | | | | | | |
| <p>SIZE: A</p> | | <p>CAGE CODE: 53919</p> | | <p>ITEM NO.: PE3W01511/HS</p> | | | | | | | | | | | | |
| <p>DRAWN BY: KGLEBOVA</p> | | <p>2</p> | | <p>1</p> | | | | | | | | | | | | |