



## SMA Male to N Male Low Loss Cable Using LMR-195 Coax

### TECHNICAL DATA SHEET

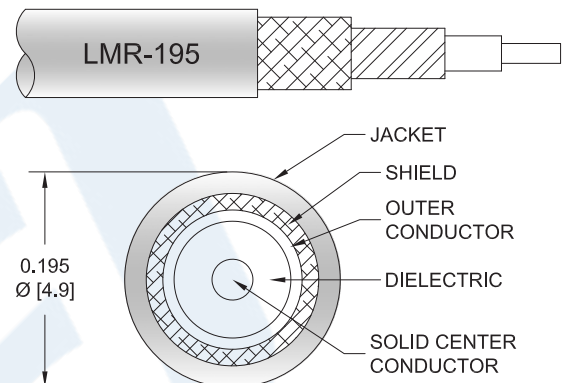
PE3W01852

#### Configuration

- Connector 1: SMA Male
- Connector 2: N Male
- Cable Type: LMR-195
- Coax Flex Type: Flexible

#### Features

- Max Frequency 6 GHz
- Shielding Effectivity > 90 dB
- 80% Phase Velocity
- Double Shielded
- PE Jacket



#### Applications

- General Purpose
- Laboratory Use

#### Description

Pasternack's PE3W01852 SMA male to type N male cable using LMR-195 coax is part of our full line of RF components available for same-day shipping. Pasternack's flexible RF cable assemblies are ideal for applications where tight bends and flexure are required. This Pasternack SMA to type N cable assembly has a male to male gender configuration with 50 ohm flexible LMR-195 coax. The PE3W01852 SMA male to type N male cable assembly operates to 6 GHz. The double shielding of this Pasternack cable assembly provides excellent shielding effectiveness of better than 90 dB.

Custom versions of most RF cable assemblies can be built and shipped same day. Custom cable assembly lengths can be obtained by specifying the desired length on the web site at time of order or by contacting a sales representative. Other available RF cable assembly value added services include connector orientation or clocking, heat shrink booting and custom labeling. RF testing can also be performed to document the electrical performance of your cable assembly.

Click the following link (or enter part number in "SEARCH" on website) to obtain additional part information including price, inventory and certifications: [SMA Male to N Male Low Loss Cable Using LMR-195 Coax PE3W01852](#)



## SMA Male to N Male Low Loss Cable Using LMR-195 Coax

### TECHNICAL DATA SHEET

PE3W01852

#### Electrical Specifications

Description	Minimum	Typical	Maximum	Units
Frequency Range	DC		6	GHz
VSWR			1.4:1	
Velocity of Propagation		80		%
RF Shielding	90			dB
Group Delay		1.27 [4.17]		ns/ft [ns/m]
Capacitance		25.4 [83.33]		pF/ft [pF/m]
Inductance		0.064 [0.21]		uH/ft [uH/m]
DC Resistance Inner Conductor		7.6 [24.93]		$\Omega$ /1000ft [ $\Omega$ /Km]
DC Resistance Outer Conductor		4.9 [16.08]		$\Omega$ /1000ft [ $\Omega$ /Km]
Jacket Spark			3,000	Vrms

#### Specifications by Frequency

Part Number	Length	Description	F1	F2	F3	F4	F5	Units	Weight (lbs)
			Frequency					MHz	
PE3W01852	Custom Lengths Available	Insertion Loss (Typ.)	0.057	0.081	0.116	0.19	0.299	dB/ft	
			0.19	0.27	0.39	0.63	0.99	dB/m	
PE3W01852-12	12 inch	Insertion Loss (Typ.)	0.44	0.47	0.5	0.57	0.68	dB	0.122
PE3W01852-24	24 inch	Insertion Loss (Typ.)	0.5	0.55	0.62	0.76	0.98	dB	0.145
PE3W01852-36	36 inch	Insertion Loss (Typ.)	0.56	0.63	0.73	0.95	1.28	dB	0.167
PE3W01852-48	48 inch	Insertion Loss (Typ.)	0.61	0.71	0.85	1.14	1.58	dB	0.189
PE3W01852-60	60 inch	Insertion Loss (Typ.)	0.67	0.79	0.96	1.33	1.88	dB	0.211

The insertion loss data for the base model does not include loss due to the connectors. Each length includes insertion loss due to the connectors.

Loss due to Connector 1:	0.1 dB
Loss due to Connector 2:	0.28 dB
Base Weight:	0.122 pounds
Additional Weight per Inch:	0.00184 pounds

#### Mechanical Specifications

##### Cable Assembly

Weight 0.122 lbs [55.34 g]

Click the following link (or enter part number in "SEARCH" on website) to obtain additional part information including price, inventory and certifications: [SMA Male to N Male Low Loss Cable Using LMR-195 Coax PE3W01852](#)



## SMA Male to N Male Low Loss Cable Using LMR-195 Coax

### TECHNICAL DATA SHEET

PE3W01852

#### Cable

Cable Type	LMR-195
Impedance	50 Ohms
Inner Conductor Type	Solid
Inner Conductor Material and Plating	Copper
Dielectric Type	PE (F)
Number of Shields	2
Shield Layer 1	Aluminum Tape
Shield Layer 2	Tinned Copper Braid
Jacket Material	PE, Black
Jacket Diameter	0.195 in [4.95 mm]
One Time Minimum Bend Radius	0.5 in [12.7 mm]
Repeated Minimum Bend Radius	2 in [50.8 mm]
Bending Moment	0.2 lbs-ft [0.27 N-m]
Flat Plate Crush	15 lbs/in [0.27 Kg/mm]
Tensile Strength	40 lbs [18.14 Kg]

#### Connectors

Description	Connector 1	Connector 2
Type	SMA Male Threaded	N Male Threaded
Specification	MIL-STD-348A	MIL-STD-348
Impedance	50 Ohms	50 Ohms
Contact Material and Plating	Brass, Gold	Brass, Gold
Contact Plating Specification	50µ in. minimum	50 µin minimum
Dielectric Type	PTFE	Teflon
Body Material and Plating	Brass, Nickel	Brass, Tri-Metal
Body Plating Specification	100µ in. minimum	
Coupling Nut Material and Plating	Brass, Nickel	Brass, Tri-Metal
Coupling Nut Plating Specification	100µ in. minimum	
Hex Size	5/16 inch	13/16 Inch
Torque	3 in-lbs [0.34 Nm]	

**Compliance Certifications** (see [product page](#) for current document)

#### Plotted and Other Data

Notes:

Click the following link (or enter part number in "SEARCH" on website) to obtain additional part information including price, inventory and certifications: [SMA Male to N Male Low Loss Cable Using LMR-195 Coax PE3W01852](#)



## SMA Male to N Male Low Loss Cable Using LMR-195 Coax

### TECHNICAL DATA SHEET

**PE3W01852**

#### How to Order

Part Number Configuration:

**PE3W01852**

- **xx**

**uu**

Unit of Measure:  
cm = Centimeters  
<blank> = Inches  
Length  
Base Number

Example: PE3W01852-12 = 12 inches long cable  
PE3W01852-100cm = 100 cm long cable

SMA Male to N Male Low Loss Cable Using LMR-195 Coax from Pasternack Enterprises has same day shipment for domestic and International orders. Our RF, microwave and millimeter wave products maintain a 99.4% availability and are part of the broadest selection in the industry.

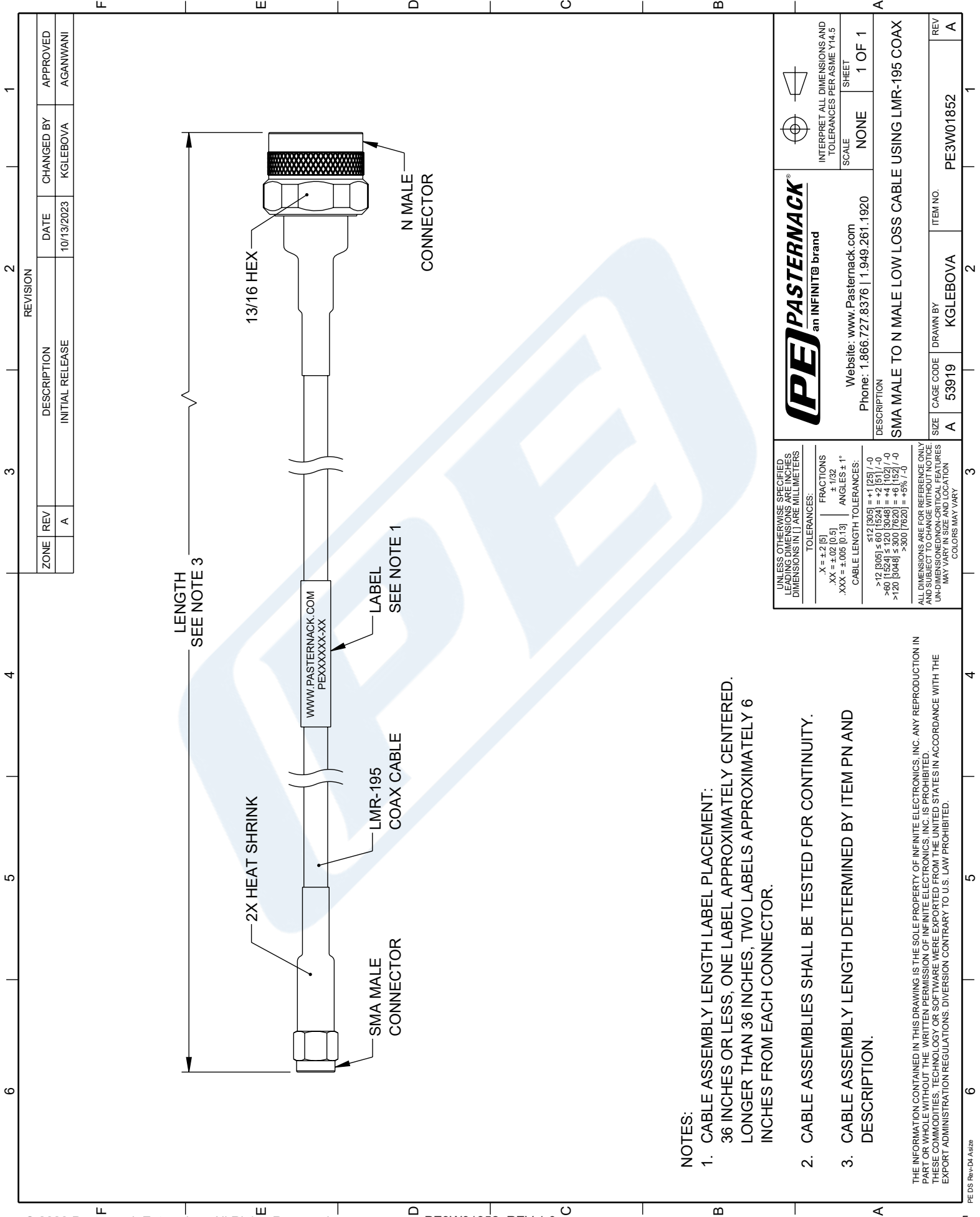
Click the following link (or enter part number in "SEARCH" on website) to obtain additional part information including price, inventory and certifications: [SMA Male to N Male Low Loss Cable Using LMR-195 Coax PE3W01852](#)

URL: <https://www.pasternack.com/sma-male-to-n-male-low-loss-cable-using-lmr-195-pe3w01852-p.aspx>

The information contained in this document is accurate to the best of our knowledge and representative of the part described herein. It may be necessary to make modifications to the part and/or the documentation of the part, in order to implement improvements. Pasternack reserves the right to make such changes as required. Unless otherwise stated, all specifications are nominal. Pasternack does not make any representation or warranty regarding the suitability of the part described herein for any particular purpose, and Pasternack does not assume any liability arising out of the use of any part or documentation.

# PE3W01852 CAD Drawing

SMA Male to N Male Low Loss Cable Using LMR-195 Coax



LENGTH  
SEE NOTE 3

2X HEAT SHRINK

SMA MALE  
CONNECTOR

LMR-195  
COAX CABLE

WWW.PASTERNAK.COM  
PEXXXX-XX

LABEL  
SEE NOTE 1

13/16 HEX

N MALE  
CONNECTOR

- NOTES:
- CABLE ASSEMBLY LENGTH LABEL PLACEMENT:  
36 INCHES OR LESS, ONE LABEL APPROXIMATELY CENTERED.  
LONGER THAN 36 INCHES, TWO LABELS APPROXIMATELY 6  
INCHES FROM EACH CONNECTOR.
  - CABLE ASSEMBLIES SHALL BE TESTED FOR CONTINUITY.
  - CABLE ASSEMBLY LENGTH DETERMINED BY ITEM PN AND  
DESCRIPTION.

THE INFORMATION CONTAINED IN THIS DRAWING IS THE SOLE PROPERTY OF INFINITE ELECTRONICS, INC. ANY REPRODUCTION IN PART OR WHOLE WITHOUT THE WRITTEN PERMISSION OF INFINITE ELECTRONICS, INC. IS PROHIBITED. THESE COMMODITIES, TECHNOLOGY OR SOFTWARE WERE EXPORTED FROM THE UNITED STATES IN ACCORDANCE WITH THE EXPORT ADMINISTRATION REGULATIONS. DIVERSION CONTRARY TO U.S. LAW PROHIBITED.

		INTERPRET ALL DIMENSIONS AND TOLERANCES PER ASME Y14.5 SCALE NONE SHEET 1 OF 1	
Website: www.Pasternack.com Phone: 1.866.727.8376   1.949.261.1920		DESCRIPTION <b>SMA MALE TO N MALE LOW LOSS CABLE USING LMR-195 COAX</b>	
UNLESS OTHERWISE SPECIFIED LEADING DIMENSIONS ARE INCHES DIMENSIONS IN [ ] ARE MILLIMETERS	TOLERANCES: .X = ±.2 [5] .XX = ±.02 [0.5] .XXX = ±.005 [0.13]	FRACTIONS ± 1/32 ANGLES ± 1°	CABLE LENGTH TOLERANCES: <12 [305] = ±.1 [25] / -0 >12 [305] ≤ 60 [1524] = ±.2 [51] / -0 >60 [1524] ≤ 120 [3048] = ±.4 [102] / -0 >120 [3048] ≤ 300 [7620] = ±.6 [152] / -0 >300 [7620] = ±.5% / -0
ALL DIMENSIONS ARE FOR REFERENCE ONLY. UNLESS OTHERWISE SPECIFIED, ALL DIMENSIONS ARE NON-CRITICAL FEATURES. COLORS MAY VARY.			
A 53919	DRAWN BY KGLEBOVA	ITEM NO. PE3W01852	REV A