

SMA Male to SMA Male Low Loss Cable Using LMR-240-UF Coax With Times Microwave Components



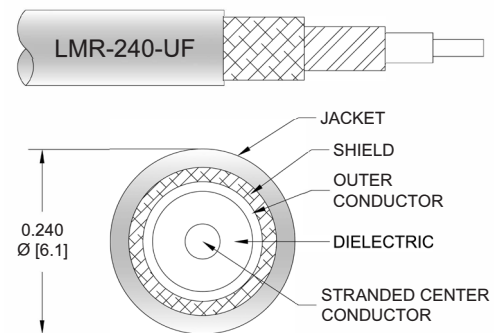
PE3W02363

Configuration

- Connector 1: SMA Male
- Connector 2: SMA Male
- Cable Type: LMR-240-UF
- Coax Flex Type: Flexible

Features

- Max Frequency 5.8 GHz
- Shielding Effectivity > 90 dB
- 84% Phase Velocity
- Double Shielded
- PE Jacket



Applications

- General Purpose
- Laboratory Use

Description

Pasternack's PE3W02363 SMA male to SMA male cable using LMR-240-UF coax is part of our full line of RF components available for same-day shipping. Pasternack's flexible RF cable assemblies are ideal for applications where tight bends and flexure are required. This Pasternack SMA to SMA cable assembly has a male to male gender configuration with 50 ohm flexible LMR-240-UF coax. The PE3W02363 SMA male to SMA male cable assembly operates to 5.8 GHz. The double shielding of this Pasternack cable assembly provides excellent shielding effectiveness of better than 90 dB.

Custom versions of most RF cable assemblies can be built and shipped same day. Custom cable assembly lengths can be obtained by specifying the desired length on the web site at time of order or by contacting a sales representative. Other available RF cable assembly value added services include connector orientation or clocking, heat shrink booting and custom labeling. RF testing can also be performed to document the electrical performance of your cable assembly.

Electrical Specifications

Description	Minimum	Typical	Maximum	Units
Frequency Range	DC		5.8	GHz
VSWR			1.5:1	
Velocity of Propagation		84		%
RF Shielding	90			dB
Group Delay		1.21 [3.97]		ns/ft [ns/m]
Capacitance		24.2 [79.4]		pF/ft [pF/m]
Inductance		0.06 [0.2]		uH/ft [uH/m]
DC Resistance Inner Conductor		4.28 [14.04]		Ohms/1000ft [Ohms/Km]
DC Resistance Outer Conductor		3.89 [12.76]		Ohms/1000ft [Ohms/Km]

SMA Male to SMA Male Low Loss Cable Using LMR-240-UF Coax With Times Microwave Components



PE3W02363

Electrical Specifications

Description	Minimum	Typical	Maximum	Units
Jacket Spark			5,000	Vrms

Specifications by Frequency

Description	F1	F2	F3	F4	F5	Units
Frequency	0.25	0.5	1	2.5	5.8	GHz
Insertion Loss (Typ.)	0.046	0.066	0.095	0.155	0.244	dB/ft
	0.15	0.22	0.31	0.51	0.8	dB/m

Electrical Specification Notes:

Insertion Loss does not include the loss of the connectors. Insertion Loss is estimated as $0.1 \cdot \sqrt{FGHz}$ dB per connector.

Mechanical Specifications

Cable Assembly

Width/Diameter	0.5 in [12.7 mm]
Weight	0.072 lbs [32.66 g]

Cable

Cable Type	LMR-240-UF
Impedance	50 Ohms
Inner Conductor Type	Stranded
Inner Conductor Material and Plating	Copper
Dielectric Type	PE (F)
Number of Shields	2
Shield Layer 1	Aluminum Tape
Shield Layer 2	Tinned Copper Braid
Jacket Material	PE, Black
Jacket Diameter	0.24 in [6.1 mm]
One Time Minimum Bend Radius	0.75 in [19.05 mm]
Repeated Minimum Bend Radius	2.5 in [63.5 mm]
Bending Moment	0.13 lbs-ft [0.18 N-m]
Flat Plate Crush	13 lbs/in [0.23 Kg/mm]
Tensile Strength	80 lbs [36.29 Kg]

SMA Male to SMA Male Low Loss Cable Using LMR-240-UF Coax With Times Microwave Components



PE3W02363

Connectors

Description	Connector 1	Connector 2
Type	SMA Male	SMA Male
Specification	MIL-STD-348	MIL-STD-348
Impedance	50 Ohms	50 Ohms
Configuration	Straight	Straight
Contact Material and Plating	Beryllium Copper, Gold	Beryllium Copper, Gold
Contact Plating Specification	ASTM B488	ASTM B488
Dielectric Type	Teflon	Teflon
Body Material and Plating	Brass, Tri-Metal	Brass, Tri-Metal
Coupling Nut Material and Plating	Brass, Tri-Metal	Brass, Tri-Metal
Hex Size	5/16 Inch	5/16 Inch

Environmental Specifications

Operating Range Temperature -40 to +85 deg C

Compliance Certifications (see [product page](#) for current document)

Plotted and Other Data

Notes:

SMA Male to SMA Male Low Loss Cable Using LMR-240-UF Coax With Times Microwave Components



PE3W02363

Typical Performance Data

How to Order

Part Number Configuration:

PE3W02363

- xx

uu

Unit of Measure:

cm = Centimeters

<blank> = Inches

Length

Base Number

Example: PE3W02363-12 = 12 inches long cable
PE3W02363-100cm = 100 cm long cable

SMA Male to SMA Male Low Loss Cable Using LMR-240-UF Coax With Times Microwave Components from Pasternack Enterprises has same day shipment for domestic and International orders. Our RF, microwave and millimeter wave products maintain a 99.4% availability and are part of the broadest selection in the industry.

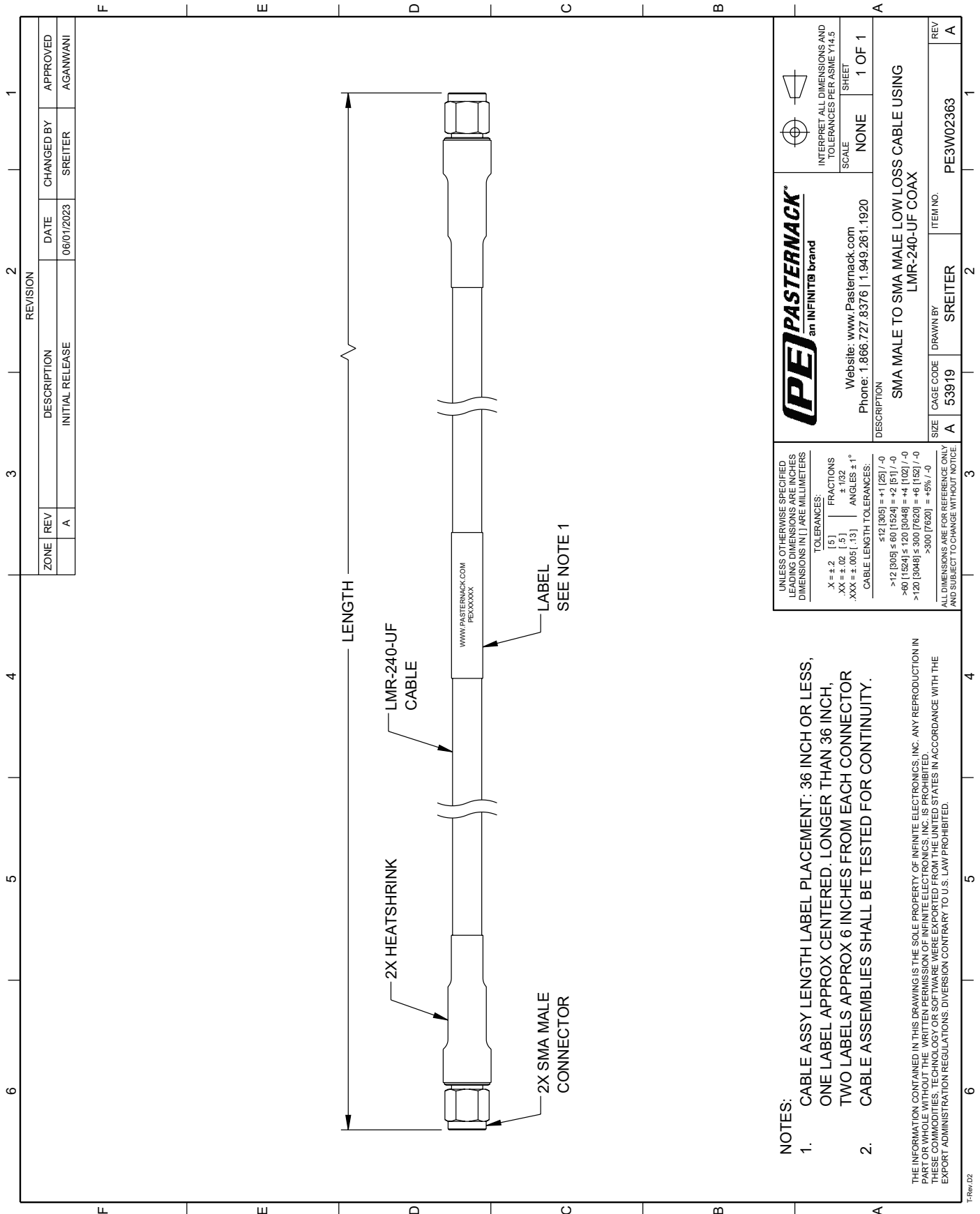
Click the following link (or enter part number in "SEARCH" on website) to obtain additional part information including price, inventory and certifications: [SMA Male to SMA Male Low Loss Cable Using LMR-240-UF Coax With Times Microwave Components PE3W02363](#)

URL: <https://www.pasternack.com/sma-male-to-sma-male-low-loss-cable-using-lmr-240-uf-pe3w02363-p.aspx>

The information contained within this document is accurate to the best of our knowledge and representative of the part described herein. It may be necessary to make modifications to the part and/or the documentation of the part in order to implement improvements. Pasternack Enterprises reserves the right to make such changes as required. Unless otherwise stated, all specifications are nominal. Pasternack Enterprises does not make any representation or warranty regarding the suitability of the part described herein for any particular purpose, and Pasternack Enterprises does not assume liability arising out of the use of any part or document.

PE3W02363 CAD Drawing

SMA Male to SMA Male Low Loss Cable Using LMR-240-UF Coax With Times Microwave Components



NOTES:

1. CABLE ASSY LENGTH LABEL PLACEMENT: 36 INCH OR LESS, ONE LABEL APPROX CENTERED. LONGER THAN 36 INCH, TWO LABELS APPROX 6 INCHES FROM EACH CONNECTOR
2. CABLE ASSEMBLIES SHALL BE TESTED FOR CONTINUITY.

THE INFORMATION CONTAINED IN THIS DRAWING IS THE SOLE PROPERTY OF INFINITE ELECTRONICS, INC. ANY REPRODUCTION IN PART OR WHOLE WITHOUT THE WRITTEN PERMISSION OF INFINITE ELECTRONICS, INC. IS PROHIBITED. THESE COMMODITIES, TECHNOLOGY OR SOFTWARE WERE EXPORTED FROM THE UNITED STATES IN ACCORDANCE WITH THE EXPORT ADMINISTRATION REGULATIONS. DIVERSION CONTRARY TO U.S. LAW PROHIBITED.

TRev.02

ZONE	REV	DESCRIPTION	DATE	CHANGED BY	APPROVED
	A	INITIAL RELEASE	06/01/2023	SREITER	AGANWANI

<p>PASTERNAK an INFINITB brand</p>	<p>UNLESS OTHERWISE SPECIFIED DIMENSIONS ARE IN INCHES DIMENSIONS IN [] ARE IN MILLIMETERS</p>	<p>INTERPRET ALL DIMENSIONS AND TOLERANCES PER ASME Y14.5</p>
	<p>TOLERANCES:</p> <p>X ± .2 [.5] FRACTIONS ± 1/32</p> <p>.XX ± .02 [.5] ANGLES ± 1°</p> <p>.XXX ± .005 [.13] CABLE LENGTH TOLERANCES:</p> <p>≤ 12 [305] = +1 [25] / -0</p> <p>> 12 [305] ≤ 60 [1524] = +2 [51] / -0</p> <p>> 60 [1524] ≤ 120 [3048] = +4 [102] / -0</p> <p>> 120 [3048] ≤ 300 [7620] = +8 [254] / -0</p> <p>> 300 [7620] = +8% / -0</p>	<p>SCALE NONE</p> <p>SHEET 1 OF 1</p>
<p>Website: www.Pasternack.com</p> <p>Phone: 1.866.727.8376 1.949.261.1920</p>	<p>DESCRIPTION</p> <p>SMA MALE TO SMA MALE LOW LOSS CABLE USING LMR-240-UF COAX</p>	<p>ITEM NO. PE3W02363</p>
<p>SIZE A</p> <p>CAGE CODE 53919</p> <p>DRAWN BY SREITER</p>	<p>REV A</p>	