

## SMA Male to Reverse Polarity SMA Plug Low Loss Cable Using LMR-100 Coax



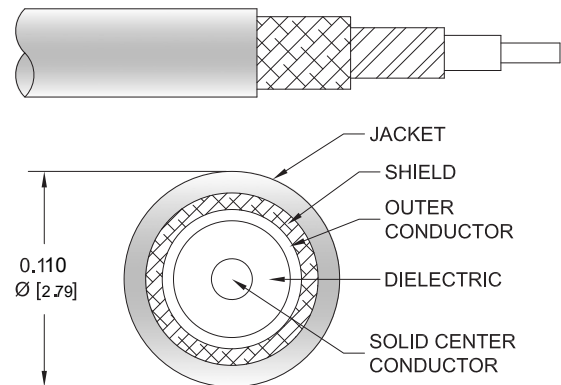
### PE3W02856

#### Configuration

- Connector 1: SMA Male
- Connector 2: SMA Plug Reverse Polarity
- Cable Type: LMR-100A
- Coax Flex Type: Flexible

#### Features

- Max Frequency 6 GHz
- Shielding Effectivity > 90 dB
- 66% Phase Velocity
- Double Shielded
- PVC Jacket



#### Applications

- General Purpose
- Laboratory Use

#### Description

Pasternack's PE3W02856 SMA male to reverse polarity SMA plug cable using LMR-100 coax is part of our full line of RF components available for same-day shipping. Pasternack's flexible RF cable assemblies are ideal for applications where tight bends and flexure are required. This Pasternack SMA to reverse polarity SMA cable assembly has a male to plug gender configuration with 50 ohm flexible LMR-100A coax. The PE3W02856 SMA male to reverse polarity SMA plug cable assembly operates to 6 GHz. The double shielding of this Pasternack cable assembly provides excellent shielding effectiveness of better than 90 dB.

Custom versions of most RF cable assemblies can be built and shipped same day. Custom cable assembly lengths can be obtained by specifying the desired length on the web site at time of order or by contacting a sales representative. Other available RF cable assembly value added services include connector orientation or clocking, heat shrink booting and custom labeling. RF testing can also be performed to document the electrical performance of your cable assembly.

#### Electrical Specifications

Description	Minimum	Typical	Maximum	Units
Frequency Range	DC		6	GHz
VSWR			1.4:1	
Velocity of Propagation		66		%
RF Shielding	90			dB
Group Delay		1.54 [5.05]		ns/ft [ns/m]
Capacitance		30.8 [101.05]		pF/ft [pF/m]
Inductance		0.077 [0.25]		uH/ft [uH/m]
DC Resistance Inner Conductor		81 [265.75]		Ohms/1000ft [Ohms/Km]
DC Resistance Outer Conductor		9.5 [31.17]		Ohms/1000ft [Ohms/Km]

## SMA Male to Reverse Polarity SMA Plug Low Loss Cable Using LMR-100 Coax



### PE3W02856

#### Electrical Specifications

Description	Minimum	Typical	Maximum	Units
Jacket Spark			2,000	Vrms

#### Specifications by Frequency

Part Number	Length	Description	F1	F2	F3	F4	F5	Units	Weight (lbs)
			Frequency					MHz	
PE3W02856	Custom Lengths Available	Insertion Loss (Typ.)	0.115	0.165	0.24	0.398	0.641	dB/ft	
			0.38	0.55	0.79	1.31	2.11	dB/m	
PE3W02856-24	24 Inch	Insertion Loss (Typ.)	0.58	0.68	0.83	1.15	1.64	dB	0.036
PE3W02856-36	36 Inch	Insertion Loss (Typ.)	0.7	0.85	1.07	1.55	2.28	dB	0.045
PE3W02856-48	48 Inch	Insertion Loss (Typ.)	0.81	1.01	1.31	1.95	2.92	dB	0.054
PE3W02856-100CM	100 CM	Insertion Loss (Typ.)	0.73	0.9	1.14	1.66	2.46	dB	0.048
PE3W02856-200CM	200 CM	Insertion Loss (Typ.)	1.11	1.44	1.93	2.97	4.56	dB	0.077

The insertion loss data for the base model does not include loss due to the connectors. Each length includes insertion loss due to the connectors.

Loss due to Connector 1:	0.25 dB
Loss due to Connector 2:	0.1 dB
Base Weight:	0.027 pounds
Additional Weight per Inch:	0.07833 pounds

#### Mechanical Specifications

##### Cable Assembly

Width/Diameter	0.5 in [12.7 mm]
Weight	0.027 lbs [12.25 g]

##### Cable

Cable Type	LMR-100A
Impedance	50 Ohms
Inner Conductor Type	Solid
Inner Conductor Material and Plating	Copper Clad Steel
Dielectric Type	PE
Number of Shields	2
Shield Layer 1	Aluminum Tape
Shield Layer 2	Tinned Copper Braid
Jacket Material	PVC, Black
Jacket Diameter	0.11 in [2.79 mm]
One Time Minimum Bend Radius	0.25 in [6.35 mm]
Repeated Minimum Bend Radius	1 in [25.4 mm]
Bending Moment	0.1 lbs-ft [0.14 N-m]
Flat Plate Crush	10 lbs/in [0.18 Kg/mm]
Tensile Strength	15 lbs [6.8 Kg]

## SMA Male to Reverse Polarity SMA Plug Low Loss Cable Using LMR-100 Coax



### PE3W02856

#### Connectors

Description	Connector 1	Connector 2
Type	SMA Male	SMA Plug Reverse Polarity
Specification		MIL-STD-348
Impedance	50 Ohms	50 Ohms
Configuration	Straight	Straight
Contact Material and Plating	Brass, Gold	Gold
Contact Plating Specification	15 µin minimum	MIL-G-45204
Dielectric Type	PTFE	PTFE
Body Material and Plating	Brass, Nickel	Brass, Nickel
Body Plating Specification	200 µin minimum	QQ-N-290
Coupling Nut Material and Plating	Brass, Nickel	Brass, Nickel
Coupling Nut Plating Specification	200 µin minimum	QQ-N-290
Hex Size		5/16 inch
Torque		3 in-lbs 0.34 Nm

#### Environmental Specifications

**Compliance Certifications** (see [product page](#) for current document)

#### Plotted and Other Data

Notes:

## SMA Male to Reverse Polarity SMA Plug Low Loss Cable Using LMR-100 Coax



### PE3W02856

#### Typical Performance Data

#### How to Order

Part Number Configuration:

**PE3W02856**

- **xx**

**uu**

Unit of Measure:

cm = Centimeters

<blank> = Inches

Length

Base Number

Example: PE3W02856-12 = 12 inches long cable  
PE3W02856-100cm = 100 cm long cable

SMA Male to Reverse Polarity SMA Plug Low Loss Cable Using LMR-100 Coax from Pasternack Enterprises has same day shipment for domestic and International orders. Our RF, microwave and millimeter wave products maintain a 99.4% availability and are part of the broadest selection in the industry.

Click the following link (or enter part number in "SEARCH" on website) to obtain additional part information including price, inventory and certifications: [SMA Male to Reverse Polarity SMA Plug Low Loss Cable Using LMR-100 Coax PE3W02856](#)

URL: <https://www.pasternack.com/sma-male-to-reverse-polarity-sma-plug-low-loss-cable-using-lmr-100-pe3w02856-p.aspx>

The information contained within this document is accurate to the best of our knowledge and representative of the part described herein. It may be necessary to make modifications to the part and/or the documentation of the part in order to implement improvements. Pasternack Enterprises reserves the right to make such changes as required. Unless otherwise stated, all specifications are nominal. Pasternack Enterprises does not make any representation or warranty regarding the suitability of the part described herein for any particular purpose, and Pasternack Enterprises does not assume liability arising out of the use of any part or document.

# PE3W02856 CAD Drawing

SMA Male to Reverse Polarity SMA Plug Low Loss Cable Using LMR-100 Coax

