

TNC Male to TNC Male Low Loss Cable Using PE-P195 Coax with HeatShrink



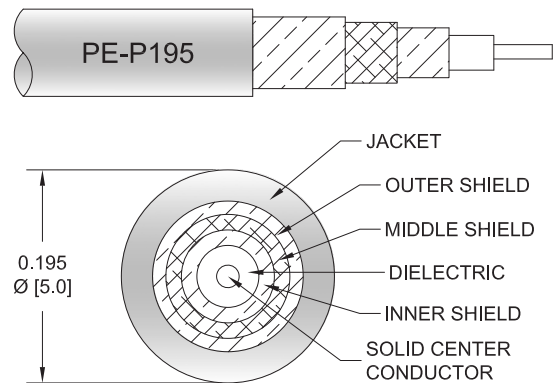
PE3W03156/HS

Configuration

- Connector 1: TNC Male
- Connector 2: TNC Male
- Cable Type: PE-P195
- Coax Flex Type: Flexible

Features

- Max Frequency 6 GHz
- 70% Phase Velocity
- Triple Shielded
- FEP Jacket



Applications

- General Purpose
- Laboratory Use

Description

Pasternack's PE3W03156/HS TNC male to TNC male cable using PE-P195 coax is part of our full line of RF components available for same-day shipping. Pasternack's flexible RF cable assemblies are ideal for applications where tight bends and flexure are required. This Pasternack TNC to TNC cable assembly has a male to male gender configuration with 50 ohm flexible PE-P195 coax. The PE3W03156/HS TNC male to TNC male cable assembly operates to 6 GHz. The triple shielding of this Pasternack cable assembly provides excellent shielding effectiveness.

Custom versions of most RF cable assemblies can be built and shipped same day. Custom cable assembly lengths can be obtained by specifying the desired length on the web site at time of order or by contacting a sales representative. Other available RF cable assembly value added services include connector orientation or clocking, heat shrink booting and custom labeling. RF testing can also be performed to document the electrical performance of your cable assembly.

Electrical Specifications

Description	Minimum	Typical	Maximum	Units
Frequency Range	DC		6	GHz
VSWR			1.4:1	
Velocity of Propagation		70		%
Capacitance		29 [95.14]		pF/ft [pF/m]
Operating Voltage (AC)			500	Vrms

Specifications by Frequency

TNC Male to TNC Male Low Loss Cable
Using PE-P195 Coax with HeatShrink



PE3W03156/HS

Part Number	Length	Description	F1	F2	F3	F4	F5	Units	Weight (lbs)
			Frequency	250	500	1000	2500	6000	
PE3W03156/HS	Custom Lengths Available	Insertion Loss (Typ.)	0.057	0.088	0.125	0.196	0.342	dB/ft	
			0.19	0.29	0.42	0.65	1.13	dB/m	
PE3W03156/HS-12	12 In	Insertion Loss (Typ.)	0.26	0.29	0.33	0.4	0.55	dB	0.104
PE3W03156/HS-24	24 In	Insertion Loss (Typ.)	0.32	0.38	0.45	0.6	0.89	dB	0.143
PE3W03156/HS-36	36 In	Insertion Loss (Typ.)	0.38	0.47	0.58	0.79	1.23	dB	0.181
PE3W03156/HS-60	60 In	Insertion Loss (Typ.)	0.49	0.64	0.83	1.18	1.91	dB	0.257
PE3W03156/HS-72	72 In	Insertion Loss (Typ.)	0.55	0.73	0.95	1.38	2.26	dB	0.295

The insertion loss data for the base model does not include loss due to the connectors. Each length includes insertion loss due to the connectors.

Loss due to Connector 1: 0.1 dB
 Loss due to Connector 2: 0.1 dB
 Base Weight: 0.104 pounds
 Additional Weight per Inch: 0.00317 pounds

Mechanical Specifications

Cable Assembly

Width/Diameter: 0.5 in [12.7 mm]
 Weight: 0.066 lbs [29.94 g]

Cable

Cable Type: PE-P195
 Impedance: 50 Ohms
 Inner Conductor Type: Solid
 Inner Conductor Material and Plating: Copper Clad Steel, Silver
 Dielectric Type: PTFE
 Number of Shields: 3
 Shield Layer 1: Silver Plated Copper Braid
 Shield Layer 2: Aluminum Tape
 Shield Layer 3: Silver Plated Copper Braid
 Jacket Material: FEP, Tan
 Jacket Diameter: 0.195 in [4.95 mm]
 Repeated Minimum Bend Radius: 1 in [25.4 mm]

TNC Male to TNC Male Low Loss Cable
Using PE-P195 Coax with HeatShrink



PE3W03156/HS

Connectors

Description	Connector 1	Connector 2
Type	TNC Male	TNC Male
Impedance	50 Ohms	50 Ohms
Configuration	Straight	Straight
Contact Material and Plating	Brass, Gold	Brass, Gold
Contact Plating Specification	30 µin minimum	30 µin minimum
Dielectric Type	PTFE	PTFE
Body Material and Plating	Brass, Nickel	Brass, Nickel
Body Plating Specification	100 µin minimum	100 µin minimum
Coupling Nut Material and Plating	Brass, Nickel	Brass, Nickel
Coupling Nut Plating Specification	100 µin minimum	100 µin minimum

Environmental Specifications

Operating Range Temperature -55 to +165 deg C

Compliance Certifications (see [product page](#) for current document)

Plotted and Other Data

Notes:

TNC Male to TNC Male Low Loss Cable
Using PE-P195 Coax with HeatShrink



PE3W03156/HS

Typical Performance Data

How to Order

Part Number Configuration:

PE3W03156/HS - xx uu



Example: PE3W03156/HS-12 = 12 inches long cable
PE3W03156/HS-100cm = 100 cm long cable

TNC Male to TNC Male Low Loss Cable Using PE-P195 Coax with HeatShrink from Pasternack Enterprises has same day shipment for domestic and International orders. Our RF, microwave and millimeter wave products maintain a 99.4% availability and are part of the broadest selection in the industry.

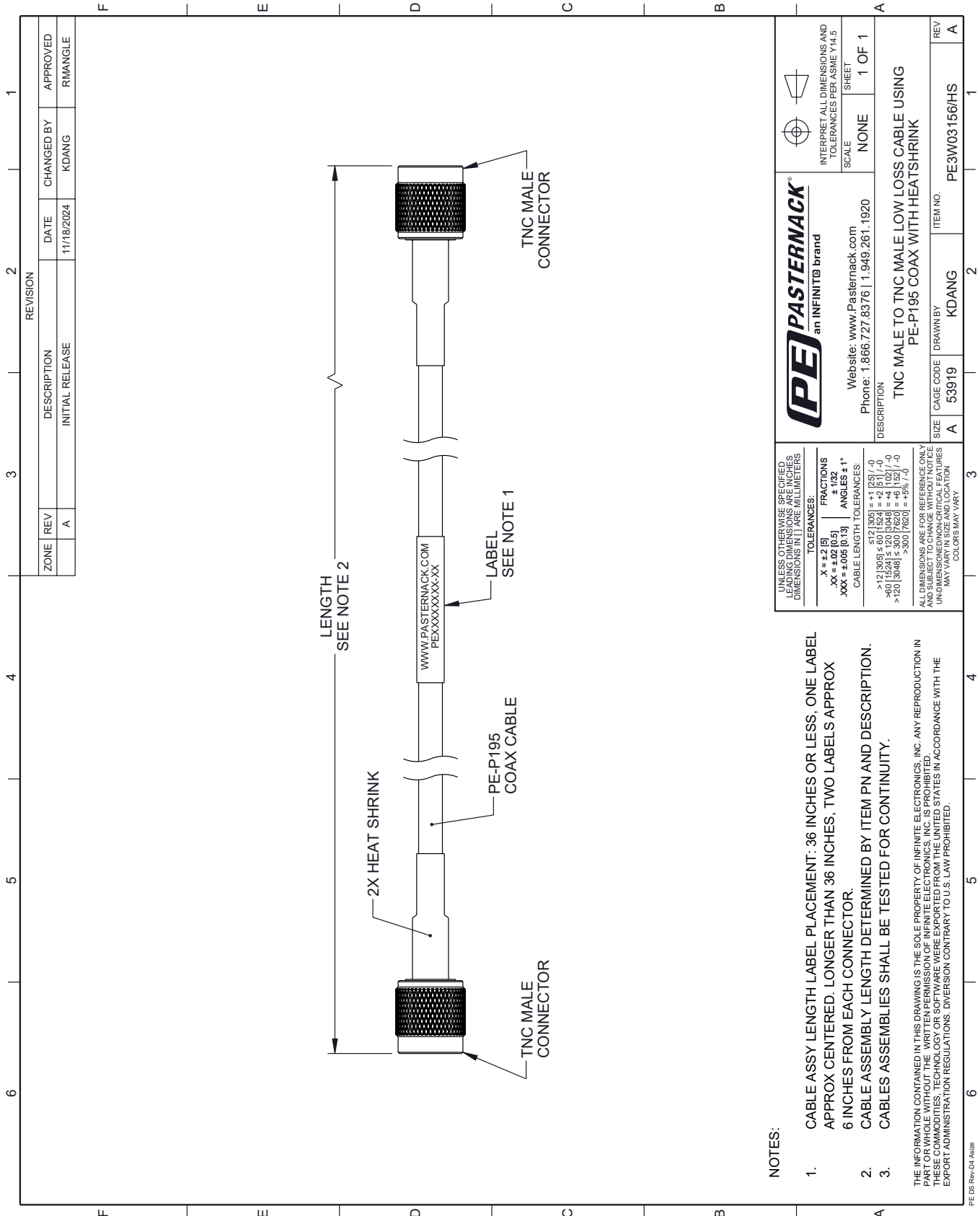
Click the following link (or enter part number in "SEARCH" on website) to obtain additional part information including price, inventory and certifications: [TNC Male to TNC Male Low Loss Cable Using PE-P195 Coax with HeatShrink PE3W03156/HS](#)

URL: <https://www.pasternack.com/tnc-male-to-tnc-male-low-loss-cable-using-pe-p195-with-heatshrink-pe3w03156-hs-p.aspx>

The information contained within this document is accurate to the best of our knowledge and representative of the part described herein. It may be necessary to make modifications to the part and/or the documentation of the part in order to implement improvements. Pasternack Enterprises reserves the right to make such changes as required. Unless otherwise stated, all specifications are nominal. Pasternack Enterprises does not make any representation or warranty regarding the suitability of the part described herein for any particular purpose, and Pasternack Enterprises does not assume liability arising out of the use of any part or document.

PE3W03156/HS CAD Drawing

TNC Male to TNC Male Low Loss Cable Using PE-P195 Coax with HeatShrink



REVISION		DATE	CHANGED BY	APPROVED
ZONE	REV			
	A	11/18/2024	KDANG	RMANGLE
DESCRIPTION				
INITIAL RELEASE				

PE PASTERNAK
an INFINITB brand

Website: www.Pasternack.com
Phone: 1.866.727.8376 | 1.949.261.1920

INTERPRET ALL DIMENSIONS AND TOLERANCES PER ASME Y14.5

SCALE: NONE SHEET: 1 OF 1

DESCRIPTION: TNC MALE TO TNC MALE LOW LOSS CABLE USING PE-P195 COAX WITH HEATSHRINK

SIZE	CAGE CODE	DRAWN BY	ITEM NO.
A	53919	KDANG	PE3W03156/HS

REV: A

NOTES:

- CABLE ASSY LENGTH LABEL PLACEMENT: .36 INCHES OR LESS, ONE LABEL APPROX CENTERED, LONGER THAN .36 INCHES, TWO LABELS APPROX .6 INCHES FROM EACH CONNECTOR.
- CABLE ASSEMBLY LENGTH DETERMINED BY ITEM PN AND DESCRIPTION.
- CABLE ASSEMBLIES SHALL BE TESTED FOR CONTINUITY.

UNLESS OTHERWISE SPECIFIED, LEADING DIMENSIONS ARE IN INCHES, DIMENSIONS IN [] ARE MILLIMETERS.

TOLERANCES:
 .X = ±.2 [5]
 .XX = ±.02 [0.5]
 .XXX = ±.005 [0.13]

FRACTIONS ± 1/32
 ANGLES ± 1°

CABLE LENGTH TOLERANCES:
 <12 [305] ±.60 [1524] = +1 [25] / -0
 >12 [305] ±.60 [1524] = +2 [51] / -0
 >40 [1024] ±.120 [3048] = +4 [102] / -0
 >120 [3048] ±.300 [7620] = +5% / -0

ALL DIMENSIONS ARE FOR REFERENCE ONLY. UNDIMENSIONED NON-CRITICAL FEATURES MAY VARY IN SIZE AND LOCATION. COLORS MAY VARY.

THE INFORMATION CONTAINED IN THIS DRAWING IS THE SOLE PROPERTY OF INFINITE ELECTRONICS, INC. ANY REPRODUCTION IN PART OR WHOLE WITHOUT THE WRITTEN PERMISSION OF INFINITE ELECTRONICS, INC. IS PROHIBITED. THESE COMMODITIES, TECHNOLOGY OR SOFTWARE WERE EXPORTED FROM THE UNITED STATES IN ACCORDANCE WITH THE EXPORT ADMINISTRATION REGULATIONS. DIVERSION CONTRARY TO U.S. LAW PROHIBITED.

PE DS Rev-D4-A320