

N Male to N Male Right Angle Low Loss Cable Using LMR-240-UF Coax



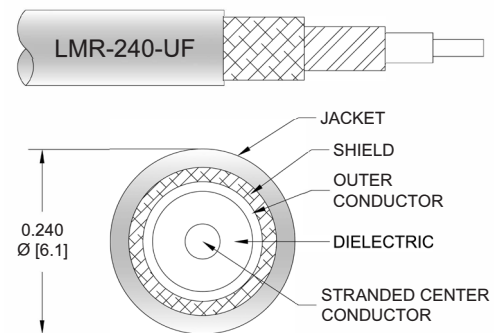
PE3W03376

Configuration

- Connector 1: N Male
- Connector 2: N Male Right Angle
- Cable Type: LMR-240-UF
- Coax Flex Type: Flexible

Features

- Max Frequency 6 GHz
- Shielding Effectivity > 90 dB
- 84% Phase Velocity
- Double Shielded
- TPE Jacket



Applications

- General Purpose
- Laboratory Use

Description

Pasternack's PE3W03376 type N male to type N male right angle cable using LMR-240-UF coax is part of our full line of RF components available for same-day shipping. Pasternack's flexible RF cable assemblies are ideal for applications where tight bends and flexure are required. This Pasternack type N to type N cable assembly has a male to male gender configuration with 50 ohm flexible LMR-240-UF coax. The PE3W03376 type N male to type N male cable assembly operates to 6 GHz. The right angle type N interface on the LMR-240-UF cable allows for easier connections in tight spaces. The double shielding of this Pasternack cable assembly provides excellent shielding effectiveness of better than 90 dB.

Custom versions of most RF cable assemblies can be built and shipped same day. Custom cable assembly lengths can be obtained by specifying the desired length on the web site at time of order or by contacting a sales representative. Other available RF cable assembly value added services include connector orientation or clocking, heat shrink booting and custom labeling. RF testing can also be performed to document the electrical performance of your cable assembly.

Electrical Specifications

Description	Minimum	Typical	Maximum	Units
Frequency Range	DC		6	GHz
VSWR			1.4:1	
Velocity of Propagation		84		%
RF Shielding	90			dB
Group Delay		1.21 [3.97]		ns/ft [ns/m]
Capacitance		24.2 [79.4]		pF/ft [pF/m]
Inductance		0.06 [0.2]		uH/ft [uH/m]
DC Resistance Inner Conductor		4.28 [14.04]		Ohms/1000ft [Ohms/Km]
DC Resistance Outer Conductor		3.89 [12.76]		Ohms/1000ft [Ohms/Km]

N Male to N Male Right Angle Low Loss Cable Using LMR-240-UF Coax



PE3W03376

Electrical Specifications

Description	Minimum	Typical	Maximum	Units
Jacket Spark			5,000	Vrms

Specifications by Frequency

Part Number	Length	Description	F1	F2	F3	F4	F5	Units	Weight (lbs)
			Frequency					MHz	
PE3W03376	Custom Lengths Available	Insertion Loss (Typ.)	0.046	0.066	0.096	0.155	0.244	dB/ft	
			0.16	0.22	0.32	0.51	0.81	dB/m	
PE3W03376-12	12 inch	Insertion Loss (Typ.)	0.4	0.42	0.45	0.51	0.6	dB	0.199
PE3W03376-24	24 inch	Insertion Loss (Typ.)	0.45	0.49	0.55	0.66	0.84	dB	0.232
PE3W03376-36	36 inch	Insertion Loss (Typ.)	0.49	0.55	0.64	0.82	1.09	dB	0.264
PE3W03376-60	60 inch	Insertion Loss (Typ.)	0.58	0.68	0.83	1.13	1.57	dB	0.328
PE3W03376-300	300 inch	Insertion Loss (Typ.)	1.5	2	2.75	4.23	6.45	dB	0.968

The insertion loss data for the base model does not include loss due to the connectors. Each length includes insertion loss due to the connectors.

Loss due to Connector 1:	0.15 dB
Loss due to Connector 2:	0.2 dB
Base Weight:	0.199 pounds
Additional Weight per Inch:	0.00267 pounds

Mechanical Specifications

Cable Assembly

Weight 0.199 lbs [90.26 g]

Cable

Cable Type	LMR-240-UF
Impedance	50 Ohms
Inner Conductor Type	Stranded
Inner Conductor Material and Plating	Copper
Dielectric Type	PE (F)
Number of Shields	2
Shield Layer 1	Aluminum Tape
Shield Layer 2	Tinned Copper Braid
Jacket Material	TPE, Black
Jacket Diameter	0.24 in [6.1 mm]
One Time Minimum Bend Radius	0.75 in [19.05 mm]
Repeated Minimum Bend Radius	2.5 in [63.5 mm]
Bending Moment	0.13 lbs-ft [0.18 N-m]
Flat Plate Crush	13 lbs/in [0.23 Kg/mm]
Tensile Strength	80 lbs [36.29 Kg]

N Male to N Male Right Angle Low Loss
Cable Using LMR-240-UF Coax



PE3W03376

Connectors

Description	Connector 1	Connector 2
Type	N Male	N Male Right Angle
Specification	MIL-STD-348A	
Impedance	50 Ohms	50 Ohms
Configuration	Straight	Right Angle
Mating Cycles	500	
Contact Material and Plating	Brass, Gold	Brass, Gold
Contact Plating Specification	30 µin minimum	
Dielectric Type	PTFE	PTFE
Body Material and Plating	Brass, Tri-Metal	Brass, Tri-Metal
Coupling Nut Material and Plating	Brass, Tri-Metal	

Environmental Specifications

Operating Range Temperature -40 to +85 deg C

Compliance Certifications (see [product page](#) for current document)

Plotted and Other Data

Notes:

N Male to N Male Right Angle Low Loss Cable Using LMR-240-UF Coax



PE3W03376

Typical Performance Data

How to Order

Part Number Configuration:

PE3W03376

- **xx**

uu

Unit of Measure:

cm = Centimeters

<blank> = Inches

Length

Base Number

Example: PE3W03376-12 = 12 inches long cable
PE3W03376-100cm = 100 cm long cable

N Male to N Male Right Angle Low Loss Cable Using LMR-240-UF Coax from Pasternack Enterprises has same day shipment for domestic and International orders. Our RF, microwave and millimeter wave products maintain a 99.4% availability and are part of the broadest selection in the industry.

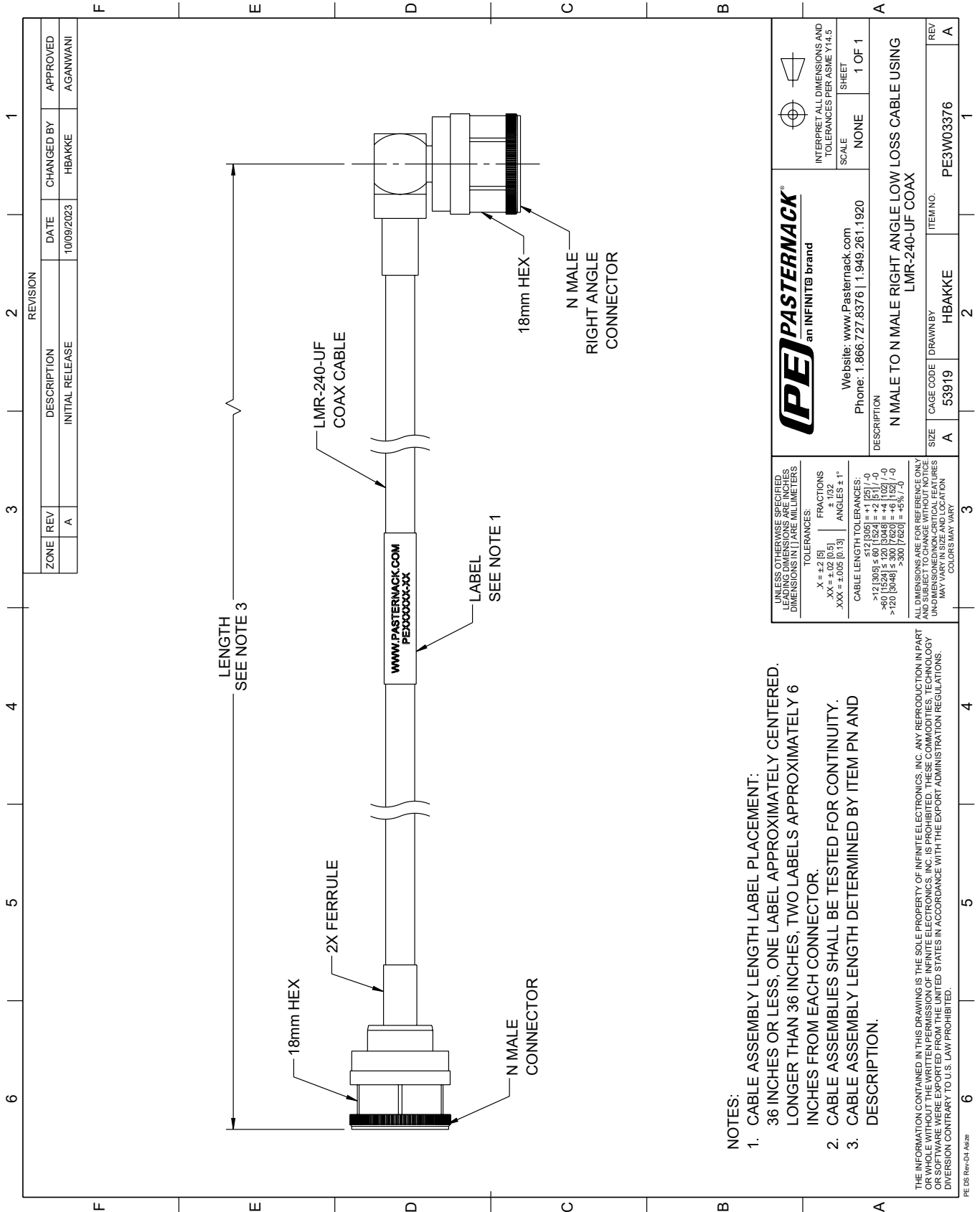
Click the following link (or enter part number in "SEARCH" on website) to obtain additional part information including price, inventory and certifications: [N Male to N Male Right Angle Low Loss Cable Using LMR-240-UF Coax PE3W03376](#)

URL: <https://www.pasternack.com/n-male-to-n-male-low-loss-cable-using-lmr-240-uf-pe3w03376-p.aspx>

The information contained within this document is accurate to the best of our knowledge and representative of the part described herein. It may be necessary to make modifications to the part and/or the documentation of the part in order to implement improvements. Pasternack Enterprises reserves the right to make such changes as required. Unless otherwise stated, all specifications are nominal. Pasternack Enterprises does not make any representation or warranty regarding the suitability of the part described herein for any particular purpose, and Pasternack Enterprises does not assume liability arising out of the use of any part or document.

PE3W03376 CAD Drawing

N Male to N Male Right Angle Low Loss Cable Using LMR-240-UF Coax



- NOTES:**
1. CABLE ASSEMBLY LENGTH LABEL PLACEMENT: 36 INCHES OR LESS, ONE LABEL APPROXIMATELY CENTERED, LONGER THAN 36 INCHES, TWO LABELS APPROXIMATELY 6 INCHES FROM EACH CONNECTOR.
 2. CABLE ASSEMBLIES SHALL BE TESTED FOR CONTINUITY.
 3. CABLE ASSEMBLY LENGTH DETERMINED BY ITEM PN AND DESCRIPTION.

THE INFORMATION CONTAINED IN THIS DRAWING IS THE SOLE PROPERTY OF INFINITE ELECTRONICS, INC. ANY REPRODUCTION IN PART OR WHOLE WITHOUT THE WRITTEN PERMISSION OF INFINITE ELECTRONICS, INC. IS PROHIBITED. THESE COMMODITIES, TECHNOLOGY OR SOFTWARE WERE EXPORTED FROM THE UNITED STATES IN ACCORDANCE WITH THE EXPORT ADMINISTRATION REGULATIONS. DIVERSION CONTRARY TO U.S. LAW PROHIBITED.

UNLESS OTHERWISE SPECIFIED, LEADING DIMENSIONS ARE IN INCHES, DIMENSIONS IN [] ARE MILLIMETERS		 PASTERNAK an INFINITe brand		 INTERPRET ALL DIMENSIONS AND TOLERANCES PER ASME Y14.5	
TOLERANCES: .X = +.2 [5] .XX = ±.02 [0.5] .XXX = ±.005 [0.13]		FRACTIONS ± 1/32 ANGLES ± 1°		SCALE NONE	
CABLE LENGTH TOLERANCES: >12 [305] ≤ 60 [1524] = +.1 [25] / -0 >60 [1524] ≤ 120 [3048] = +.4 [102] / -0 >120 [3048] ≤ 300 [7620] = +.5% / -0		Website: www.Pasternack.com Phone: 1.866.727.8376 1.949.261.1920		SHEET 1 OF 1	
ALL DIMENSIONS ARE FOR REFERENCE ONLY. UNLESS OTHERWISE SPECIFIED, DIMENSIONS ARE IN INCHES. UNLESS OTHERWISE SPECIFIED, DIMENSIONS IN [] ARE MILLIMETERS. COLORS MAY VARY.		DESCRIPTION N MALE TO N MALE RIGHT ANGLE LOW LOSS CABLE USING LMR-240-UF COAX		REV A	
SIZE	A	CAGE CODE	53919	ITEM NO.	PE3W03376
DRAWN BY	HBAKKE	DATE	10/09/2023	APPROVED	AGANWANI