



## BNC Female to BNC Female Low Loss Cable Using LMR-195 Coax with HeatShrink

### TECHNICAL DATA SHEET

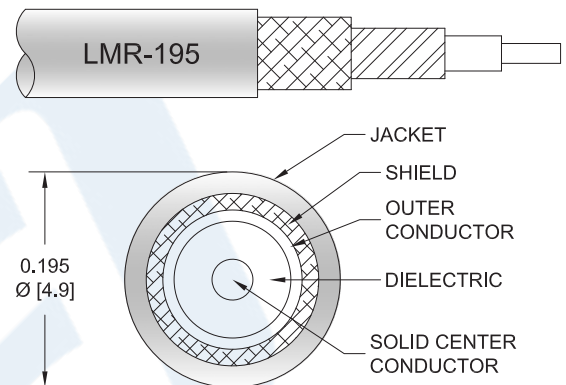
PE3W03675/HS

#### Configuration

- Connector 1: BNC Female
- Connector 2: BNC Female
- Cable Type: LMR-195
- Coax Flex Type: Flexible

#### Features

- Max Frequency 4 GHz
- Shielding Effectivity > 90 dB
- 80% Phase Velocity
- Double Shielded
- PE Jacket
- 500 Mating Cycles



#### Applications

- General Purpose
- Laboratory Use

#### Description

Pasternack's PE3W03675/HS BNC female to BNC female cable using LMR-195 coax is part of our full line of RF components available for same-day shipping. Pasternack's flexible RF cable assemblies are ideal for applications where tight bends and flexure are required. This Pasternack BNC to BNC cable assembly has a female to female gender configuration with 50 ohm flexible LMR-195 coax. The PE3W03675/HS BNC female to BNC female cable assembly operates to 4 GHz. The double shielding of this Pasternack cable assembly provides excellent shielding effectiveness of better than 90 dB.

Custom versions of most RF cable assemblies can be built and shipped same day. Custom cable assembly lengths can be obtained by specifying the desired length on the web site at time of order or by contacting a sales representative. Other available RF cable assembly value added services include connector orientation or clocking, heat shrink booting and custom labeling. RF testing can also be performed to document the electrical performance of your cable assembly.

Click the following link (or enter part number in "SEARCH" on website) to obtain additional part information including price, inventory and certifications: [BNC Female to BNC Female Low Loss Cable Using LMR-195 Coax with HeatShrink PE3W03675/HS](#)



## BNC Female to BNC Female Low Loss Cable Using LMR-195 Coax with HeatShrink

### TECHNICAL DATA SHEET

**PE3W03675/HS**

#### Electrical Specifications

Description	Minimum	Typical	Maximum	Units
Frequency Range	DC		4	GHz
VSWR			1.4:1	
Velocity of Propagation		80		%
RF Shielding	90			dB
Group Delay		1.27 [4.17]		ns/ft [ns/m]
Capacitance		25.4 [83.33]		pF/ft [pF/m]
Inductance		0.064 [0.21]		uH/ft [uH/m]
DC Resistance Inner Conductor		7.6 [24.93]		$\Omega$ /1000ft [ $\Omega$ /Km]
DC Resistance Outer Conductor		4.9 [16.08]		$\Omega$ /1000ft [ $\Omega$ /Km]
Jacket Spark			3,000	Vrms

#### Specifications by Frequency

Part Number	Length	Description	F1	F2	F3	F4	F5	Units	Weight (lbs)
		Frequency	100	250	500	1000	4000	MHz	
PE3W03675/HS	Custom Lengths Available	Insertion Loss (Typ.)	0.03	0.06	0.08	0.12	0.24	dB/ft	
			0.12	0.19	0.27	0.39	0.79	dB/m	
PE3W03675/HS-12	12 inch	Insertion Loss (Typ.)	0.24	0.26	0.29	0.32	0.44	dB	0.086
PE3W03675/HS-24	24 inch	Insertion Loss (Typ.)	0.27	0.32	0.37	0.44	0.68	dB	0.109
PE3W03675/HS-36	36 inch	Insertion Loss (Typ.)	0.31	0.38	0.45	0.55	0.92	dB	0.131
PE3W03675/HS-48	48 inch	Insertion Loss (Typ.)	0.34	0.43	0.53	0.67	1.16	dB	0.153
PE3W03675/HS-60	60 inch	Insertion Loss (Typ.)	0.37	0.49	0.61	0.78	1.4	dB	0.175

The insertion loss data for the base model does not include loss due to the connectors. Each length includes insertion loss due to the connectors.

Loss due to Connector 1:	0.1 dB
Loss due to Connector 2:	0.1 dB
Base Weight:	0.086 pounds
Additional Weight per Inch:	0.00075 pounds

#### Mechanical Specifications

##### Cable Assembly

Weight 0.086 lbs [39.01 g]

Click the following link (or enter part number in "SEARCH" on website) to obtain additional part information including price, inventory and certifications: [BNC Female to BNC Female Low Loss Cable Using LMR-195 Coax with HeatShrink PE3W03675/HS](#)



## BNC Female to BNC Female Low Loss Cable Using LMR-195 Coax with HeatShrink

### TECHNICAL DATA SHEET

**PE3W03675/HS**

#### Cable

Cable Type	LMR-195
Impedance	50 Ohms
Inner Conductor Type	Solid
Inner Conductor Material and Plating	Copper
Dielectric Type	PE (F)
Number of Shields	2
Shield Layer 1	Aluminum Tape
Shield Layer 2	Tinned Copper Braid
Jacket Material	PE, Black
Jacket Diameter	0.195 in [4.95 mm]
One Time Minimum Bend Radius	0.5 in [12.7 mm]
Repeated Minimum Bend Radius	2 in [50.8 mm]
Bending Moment	0.2 lbs-ft [0.27 N-m]
Flat Plate Crush	15 lbs/in [0.27 Kg/mm]
Tensile Strength	40 lbs [18.14 Kg]

#### Connectors

Description	Connector 1	Connector 2
Type	BNC Female Bayonet	BNC Female Bayonet
Specification	MIL-STD-348A	MIL-STD-348A
Impedance	50 Ohms	50 Ohms
Mating Cycles	500	500
Contact Material and Plating	Brass, Gold	Brass, Gold
Contact Plating Specification	30 $\mu$ in minimum	30 $\mu$ in minimum
Dielectric Type	PTFE	PTFE
Body Material and Plating	Brass, Nickel	Brass, Nickel
Body Plating Specification	100 $\mu$ in minimum	100 $\mu$ in minimum

#### Environmental Specifications

##### Temperature

Operating Range -40 to +85 deg C

**Compliance Certifications** (see [product page](#) for current document)

#### Plotted and Other Data

Notes:

Click the following link (or enter part number in "SEARCH" on website) to obtain additional part information including price, inventory and certifications: [BNC Female to BNC Female Low Loss Cable Using LMR-195 Coax with HeatShrink PE3W03675/HS](#)



## BNC Female to BNC Female Low Loss Cable Using LMR-195 Coax with HeatShrink

### TECHNICAL DATA SHEET

**PE3W03675/HS**

#### How to Order

Part Number Configuration:

**PE3W03675/HS - xx uu**

Unit of Measure:  
cm = Centimeters  
<blank> = Inches  
Length  
Base Number

Example: PE3W03675/HS-12 = 12 inches long cable  
PE3W03675/HS-100cm = 100 cm long cable

BNC Female to BNC Female Low Loss Cable Using LMR-195 Coax with HeatShrink from Pasternack Enterprises has same day shipment for domestic and International orders. Our RF, microwave and millimeter wave products maintain a 99.4% availability and are part of the broadest selection in the industry.

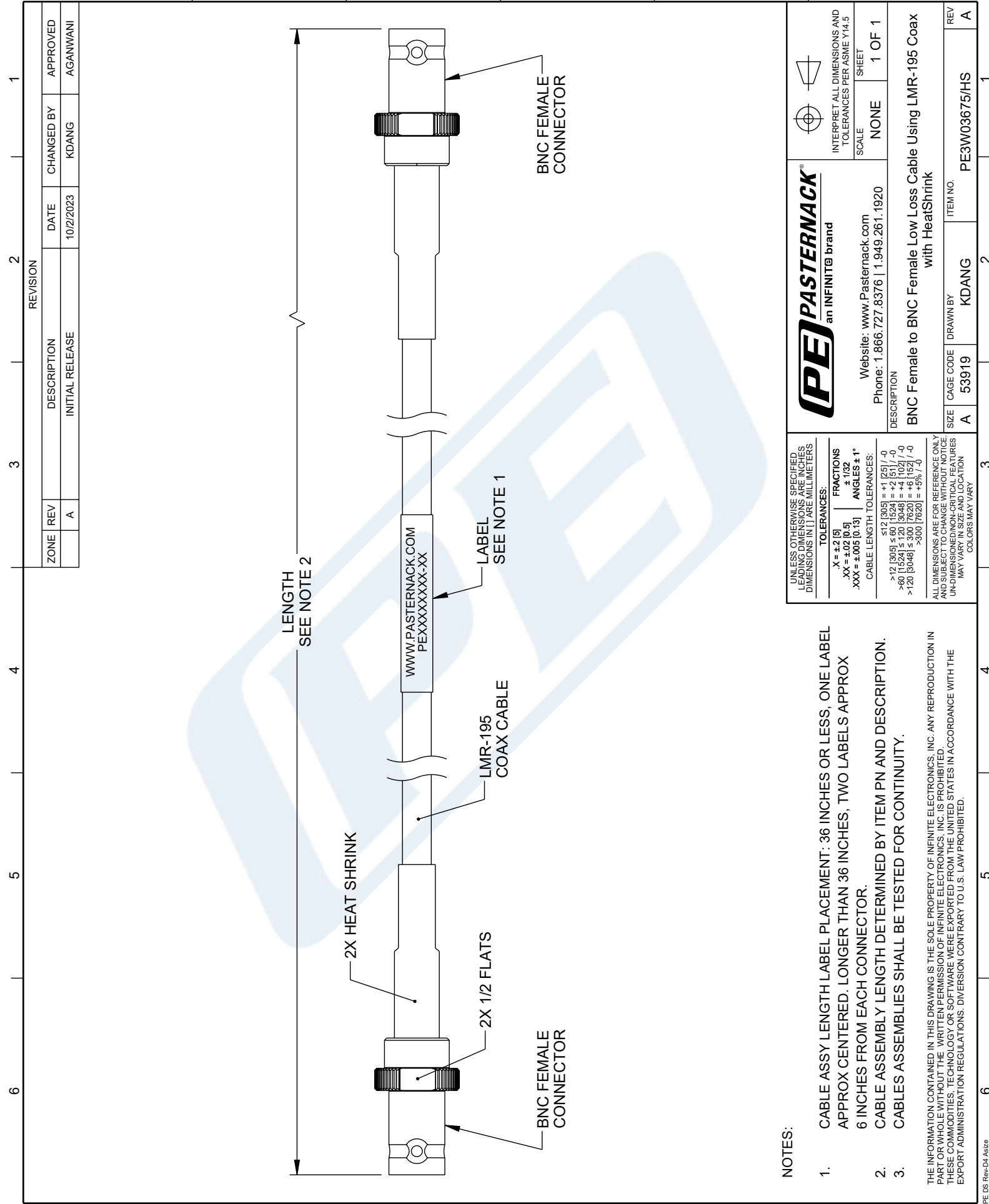
Click the following link (or enter part number in "SEARCH" on website) to obtain additional part information including price, inventory and certifications: [BNC Female to BNC Female Low Loss Cable Using LMR-195 Coax with HeatShrink PE3W03675/HS](#)

URL: <https://www.pasternack.com/bnc-female-to-bnc-female-low-loss-cable-using-lmr-195-with-heatshrink-pe3w03675-hs-p.aspx>

The information contained in this document is accurate to the best of our knowledge and representative of the part described herein. It may be necessary to make modifications to the part and/or the documentation of the part, in order to implement improvements. Pasternack reserves the right to make such changes as required. Unless otherwise stated, all specifications are nominal. Pasternack does not make any representation or warranty regarding the suitability of the part described herein for any particular purpose, and Pasternack does not assume any liability arising out of the use of any part or documentation.

# PE3W03675/HS CAD Drawing

BNC Female to BNC Female Low Loss Cable Using LMR-195 Coax with HeatShrink



ZONE	REV	DESCRIPTION	DATE	CHANGED BY	APPROVED
	A	INITIAL RELEASE	10/2/2023	KDANG	AGANWANI

**PE PASTERNAK**  
an INFINIT® brand

Website: www.Pasternack.com  
Phone: 1.866.727.8376 | 1.949.261.1920

UNLESS OTHERWISE SPECIFIED, LEADING DIMENSIONS ARE IN INCHES, DIMENSIONS IN [ ] ARE MILLIMETERS.

TOLERANCES:  
 .X = ± 2 [5]  
 .XX = ± 02 [0.5]    FRACTIONS ± 1/32  
 .XXX = ± 005 [0.13]    ANGLES ± 1°

CABLE LENGTH TOLERANCES:  
 ≤ 12 [305] = ± 1 [25] / -0  
 > 12 [305] ≤ 60 [1524] = +2 [51] / -0  
 > 60 [1524] ≤ 120 [3048] = +4 [102] / -0  
 > 120 [3048] ≤ 300 [7620] = +58 [1.5] / -0  
 > 300 [7620] = +58 [1.5] / -0

ALL DIMENSIONS ARE FOR REFERENCE ONLY AND SUBJECT TO CHANGE WITHOUT NOTICE. UNDIMENSIONED NON-CRITICAL FEATURES MAY VARY IN SIZE AND LOCATION. COLORS MAY VARY.

SCALE: NONE  
SHEET: 1 OF 1

DESCRIPTION: BNC Female to BNC Female Low Loss Cable Using LMR-195 Coax with HeatShrink

SIZE	CABLE CODE	DRAWN BY	ITEM NO.
A	53919	KDANG	PE3W03675/HS

REV A

- NOTES:
- CABLE ASSY LENGTH LABEL PLACEMENT: 36 INCHES OR LESS, ONE LABEL APPROX CENTERED; LONGER THAN 36 INCHES, TWO LABELS APPROX 6 INCHES FROM EACH CONNECTOR.
  - CABLE ASSEMBLY LENGTH DETERMINED BY ITEM PN AND DESCRIPTION.
  - CABLES ASSEMBLIES SHALL BE TESTED FOR CONTINUITY.
- THE INFORMATION CONTAINED IN THIS DRAWING IS THE SOLE PROPERTY OF INFINITE ELECTRONICS, INC. ANY REPRODUCTION IN PART OR WHOLE WITHOUT THE WRITTEN PERMISSION OF INFINITE ELECTRONICS, INC. IS PROHIBITED. THESE COMMODITIES, TECHNOLOGY OR SOFTWARE WERE EXPORTED FROM THE UNITED STATES IN ACCORDANCE WITH THE EXPORT ADMINISTRATION REGULATIONS. DIVERSION CONTRARY TO U.S. LAW PROHIBITED.