

SMA Male Right Angle to MMCX Plug Right Angle Cable Using PE-SR405FLJ Coax



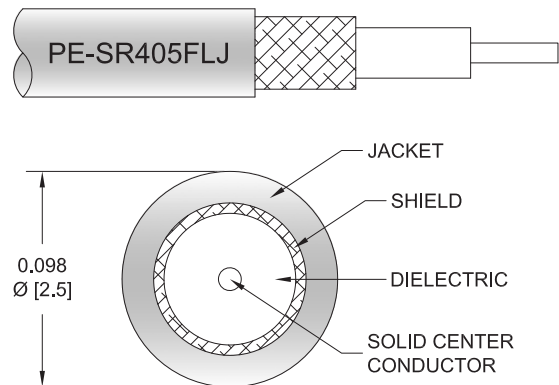
PE3W03826

Configuration

- Connector 1: SMA Male Right Angle
- Connector 2: MMCX Plug Right Angle
- Cable Type: PE-SR405FLJ
- Coax Flex Type: Formable

Features

- Max Frequency 6 GHz
- Shielding Effectivity > 100 dB
- 69.5% Phase Velocity
- FEP Jacket



Applications

- General Purpose
- Laboratory Use

Description

Pasternack's PE3W03826 SMA male right angle to MMCX plug right angle cable using PE-SR405FLJ coax is part of our full line of RF components available for same-day shipping. Pasternack's formable RF cable assemblies provide an alternative to costly pre-formed semi-rigid assemblies since they are hand formable. This Pasternack SMA to MMCX cable assembly has a male to plug gender configuration with 50 ohm formable PE-SR405FLJ coax. The PE3W03826 SMA male to MMCX plug cable assembly operates to 6 GHz. The right angle SMA and right angle MMCX interfaces on the PE-SR405FLJ cable allow for easier connections in tight spaces.

Custom versions of most RF cable assemblies can be built and shipped same day. Custom cable assembly lengths can be obtained by specifying the desired length on the web site at time of order or by contacting a sales representative. Other available RF cable assembly value added services include connector orientation or clocking, heat shrink booting and custom labeling. RF testing can also be performed to document the electrical performance of your cable assembly.

Electrical Specifications

Description	Minimum	Typical	Maximum	Units
Frequency Range	DC		6	GHz
VSWR			1.4:1	
Velocity of Propagation		69.5		%
RF Shielding	100			dB
Group Delay		1.43 [4.69]		ns/ft [ns/m]
Capacitance		29 [95.14]		pF/ft [pF/m]
DC Resistance Inner Conductor		65.7 [215.55]		Ohms/1000ft [Ohms/Km]
DC Resistance Outer Conductor		10.2 [33.46]		Ohms/1000ft [Ohms/Km]

Specifications by Frequency

SMA Male Right Angle to MMCX Plug Right Angle
Cable Using PE-SR405FLJ Coax



PE3W03826

Part Number	Length	Description	F1	F2	F3	F4	F5	Units	Weight (lbs)
			Frequency		500	1000	2500	5000	
PE3W03826	Custom Lengths Available	Insertion Loss (Typ.)	0.15	0.23	0.346	0.549	0.601	dB/ft	
			0.5	0.74	1.14	1.81	1.98	dB/m	
PE3W03826-6	6 inch	Insertion Loss (Typ.)	0.48	0.52	0.58	0.68	0.71	dB	0.026
PE3W03826-9	9 inch	Insertion Loss (Typ.)	0.52	0.57	0.66	0.82	0.86	dB	0.03
PE3W03826-12	12 inch	Insertion Loss (Typ.)	0.55	0.63	0.75	0.95	1.01	dB	0.033
PE3W03826-18	18 inch	Insertion Loss (Typ.)	0.63	0.74	0.92	1.23	1.31	dB	0.041
PE3W03826-24	24 inch	Insertion Loss (Typ.)	0.7	0.85	1.1	1.5	1.61	dB	0.048

The insertion loss data for the base model does not include loss due to the connectors. Each length includes insertion loss due to the connectors.

Loss due to Connector 1:	0.2 dB
Loss due to Connector 2:	0.2 dB
Base Weight:	0.033 pounds
Additional Weight per Inch:	0.00117 pounds

Mechanical Specifications

Cable Assembly

Width/Diameter	0.5 in [12.7 mm]
Weight	0.033 lbs [14.97 g]

Cable

Cable Type	PE-SR405FLJ
Impedance	50 Ohms
Inner Conductor Type	Solid
Inner Conductor Material and Plating	Copper Clad Steel, Silver
Dielectric Type	PTFE
Number of Shields	1
Outer Conductor 1 Material and Plating	Tinned Copper Composite Braid
Jacket Material	FEP, Black
Jacket Diameter	0.105 in [2.67 mm]
One Time Minimum Bend Radius	0.5 in [12.7 mm]
Repeated Minimum Bend Radius	0.787 in [19.99 mm]

SMA Male Right Angle to MMCX Plug Right Angle
Cable Using PE-SR405FLJ Coax



PE3W03826

Connectors

Description	Connector 1	Connector 2
Type	SMA Male Right Angle	MMCX Plug Right Angle
Specification	MIL-STD-348A	
Impedance	50 Ohms	50 Ohms
Configuration	Right Angle	Right Angle
Contact Material and Plating	Brass, Gold	Phosphor Bronze, Gold over Nickel
Contact Plating Specification	50 µin minimum	
Dielectric Type	PTFE	PTFE
Body Material and Plating	Stainless Steel, Gold	Brass, Gold over Nickel
Body Plating Specification	30 µin minimum	
Coupling Nut Material and Plating	Brass, Nickel	
Coupling Nut Plating Specification	100 µin minimum	
Hex Size	5/16 inch	
Torque	5 in-lbs 0.57 Nm	

Environmental Specifications

Compliance Certifications (see [product page](#) for current document)

Plotted and Other Data

Notes:

SMA Male Right Angle to MMCX Plug Right Angle Cable Using PE-SR405FLJ Coax



PE3W03826

Typical Performance Data

How to Order

Part Number Configuration:

PE3W03826

- xx

uu

Unit of Measure:
cm = Centimeters
<blank> = Inches
Length
Base Number

Example: PE3W03826-12 = 12 inches long cable
PE3W03826-100cm = 100 cm long cable

SMA Male Right Angle to MMCX Plug Right Angle Cable Using PE-SR405FLJ Coax from Pasternack Enterprises has same day shipment for domestic and International orders. Our RF, microwave and millimeter wave products maintain a 99.4% availability and are part of the broadest selection in the industry.

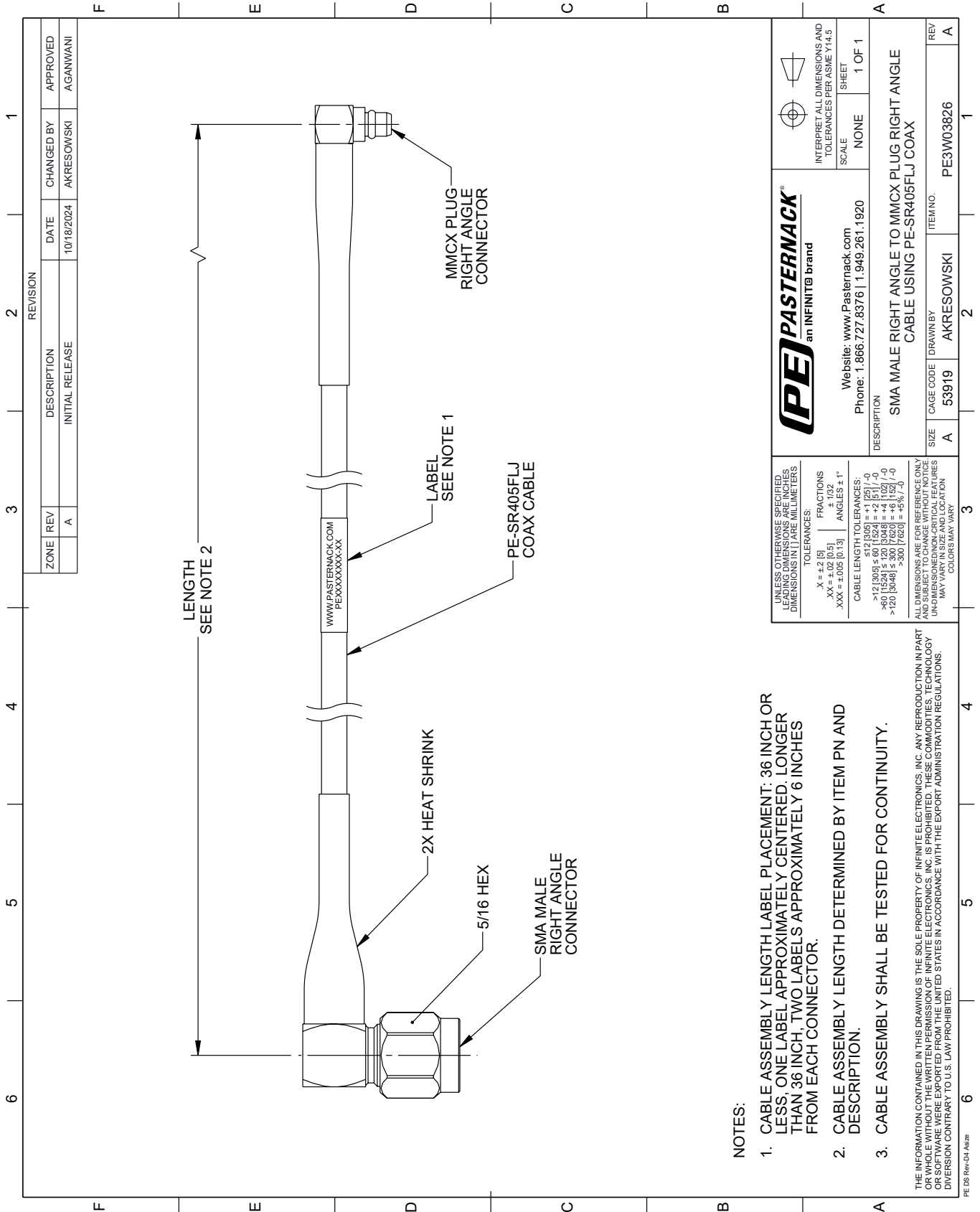
Click the following link (or enter part number in "SEARCH" on website) to obtain additional part information including price, inventory and certifications: [SMA Male Right Angle to MMCX Plug Right Angle Cable Using PE-SR405FLJ Coax PE3W03826](#)

URL: <https://www.pasternack.com/sma-male-right-angle-to-mmcx-plug-cable-using-pe-sr405flj-pe3w03826-p.aspx>

The information contained within this document is accurate to the best of our knowledge and representative of the part described herein. It may be necessary to make modifications to the part and/or the documentation of the part in order to implement improvements. Pasternack Enterprises reserves the right to make such changes as required. Unless otherwise stated, all specifications are nominal. Pasternack Enterprises does not make any representation or warranty regarding the suitability of the part described herein for any particular purpose, and Pasternack Enterprises does not assume liability arising out of the use of any part or document.

PE3W03826 CAD Drawing

SMA Male Right Angle to MMCX Plug Right Angle Cable Using PE-SR405FLJ Coax



NOTES:

1. CABLE ASSEMBLY LENGTH LABEL PLACEMENT: 36 INCH OR LESS, ONE LABEL APPROXIMATELY CENTERED, LONGER THAN 36 INCH, TWO LABELS APPROXIMATELY 6 INCHES FROM EACH CONNECTOR.
2. CABLE ASSEMBLY LENGTH DETERMINED BY ITEM PN AND DESCRIPTION.
3. CABLE ASSEMBLY SHALL BE TESTED FOR CONTINUITY.

THE INFORMATION CONTAINED IN THIS DRAWING IS THE SOLE PROPERTY OF INFINITE ELECTRONICS, INC. ANY REPRODUCTION IN PART OR WHOLE WITHOUT THE WRITTEN PERMISSION OF INFINITE ELECTRONICS, INC. IS PROHIBITED. THESE COMMODITIES, TECHNOLOGY OR SOFTWARE WERE EXPORTED FROM THE UNITED STATES IN ACCORDANCE WITH THE EXPORT ADMINISTRATION REGULATIONS. DIVERSION CONTRARY TO U.S. LAW PROHIBITED.

UNLESS OTHERWISE SPECIFIED, LEADING DIMENSIONS ARE IN INCHES. DIMENSIONS IN [] ARE MILLIMETERS.

TOLERANCES:
 .X = ±.2 [5]
 .XX = ±.02 [0.5]
 .XXX = ±.005 [0.13]

FRACTIONS: ± 1/32
 ANGLES ± 1°

CABLE LENGTH TOLERANCES:
 <12 [305] ≤ 60 [1524] = ±.2 [5] / -0
 >60 [1524] ≤ 120 [3048] = ±.4 [102] / -0
 >120 [3048] ≤ 300 [7620] = ±.8 [20] / -0

ALL DIMENSIONS ARE FOR REFERENCE ONLY. UNKNOWN DIMENSIONS/NON-CRITICAL FEATURES MAY VARY IN SIZE AND LOCATION. COLORS MAY VARY.

		INTERPRET ALL DIMENSIONS AND TOLERANCES PER ASME Y14.5	
		SCALE	SHEET
Website: www.Pasternack.com Phone: 1.866.727.8376 1.949.281.1920		NONE 1 OF 1	
DESCRIPTION SMA MALE RIGHT ANGLE TO MMCX PLUG RIGHT ANGLE CABLE USING PE-SR405FLJ COAX			
SIZE	CAGE CODE	DRAWN BY	ITEM NO.
A	53919	AKRESOWSKI	PE3W03826
REV			A