



## SMA Male to N Male Low Loss Cable Using PE-C400 Coax

### TECHNICAL DATA SHEET

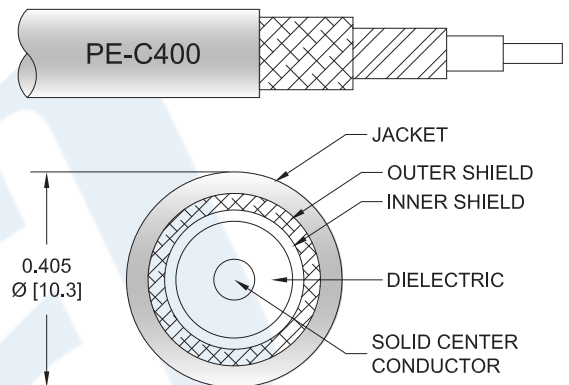
PE3W03851

#### Configuration

- Connector 1: SMA Male
- Connector 2: N Male
- Cable Type: PE-C400
- Coax Flex Type: Flexible

#### Features

- Max Frequency 6 GHz
- Shielding Effectivity > 90 dB
- 85% Phase Velocity
- Double Shielded
- PE Jacket



#### Applications

- General Purpose
- Laboratory Use

#### Description

Pasternack's PE3W03851 SMA male to type N male cable using PE-C400 coax is part of our full line of RF components available for same-day shipping. Pasternack's flexible RF cable assemblies are ideal for applications where tight bends and flexure are required. This Pasternack SMA to type N cable assembly has a male to male gender configuration with 50 ohm flexible PE-C400 coax. The PE3W03851 SMA male to type N male cable assembly operates to 6 GHz. The double shielding of this Pasternack cable assembly provides excellent shielding effectiveness of better than 90 dB.

Custom versions of most RF cable assemblies can be built and shipped same day. Custom cable assembly lengths can be obtained by specifying the desired length on the web site at time of order or by contacting a sales representative. Other available RF cable assembly value added services include connector orientation or clocking, heat shrink booting and custom labeling. RF testing can also be performed to document the electrical performance of your cable assembly.

Click the following link (or enter part number in "SEARCH" on website) to obtain additional part information including price, inventory and certifications: [SMA Male to N Male Low Loss Cable Using PE-C400 Coax PE3W03851](#)



## SMA Male to N Male Low Loss Cable Using PE-C400 Coax

### TECHNICAL DATA SHEET

**PE3W03851**

#### Electrical Specifications

Description	Minimum	Typical	Maximum	Units
Frequency Range	DC		6	GHz
VSWR			1.4:1	
Velocity of Propagation		85		%
RF Shielding	90			dB
Capacitance		23.5 [77.1]		pF/ft [pF/m]
DC Resistance Inner Conductor		0.89 [2.92]		$\Omega$ /1000ft [ $\Omega$ /Km]
DC Resistance Outer Conductor		1.65 [5.41]		$\Omega$ /1000ft [ $\Omega$ /Km]

#### Specifications by Frequency

Part Number	Length	Description	F1	F2	F3	F4	F5	Units	Weight (lbs)
			Frequency	250	500	1000	2500	6000	
PE3W03851	Custom Lengths Available	Insertion Loss (Typ.)	0.02	0.03	0.04	0.07	0.11	dB/ft	
			0.07	0.1	0.14	0.23	0.36	dB/m	
PE3W03851-24	24 inch	Insertion Loss (Typ.)	0.24	0.26	0.29	0.34	0.42	dB	0.271
PE3W03851-36	36 inch	Insertion Loss (Typ.)	0.26	0.29	0.33	0.41	0.53	dB	0.334
PE3W03851-48	48 inch	Insertion Loss (Typ.)	0.28	0.32	0.37	0.48	0.64	dB	0.397
PE3W03851-60	60 inch	Insertion Loss (Typ.)	0.3	0.34	0.41	0.54	0.74	dB	0.46
PE3W03851-72	72 inch	Insertion Loss (Typ.)	0.32	0.37	0.45	0.61	0.85	dB	0.523

The insertion loss data for the base model does not include loss due to the connectors. Each length includes insertion loss due to the connectors.

Loss due to Connector 1:	0.1 dB
Loss due to Connector 2:	0.1 dB
Base Weight:	0.208 pounds
Additional Weight per Inch:	0.00525 pounds

#### Mechanical Specifications

##### Cable Assembly

Weight 0.208 lbs [94.35 g]

Click the following link (or enter part number in "SEARCH" on website) to obtain additional part information including price, inventory and certifications: [SMA Male to N Male Low Loss Cable Using PE-C400 Coax PE3W03851](#)



## SMA Male to N Male Low Loss Cable Using PE-C400 Coax

### TECHNICAL DATA SHEET

PE3W03851

#### Cable

Cable Type	PE-C400
Impedance	50 Ohms
Inner Conductor Type	Solid
Inner Conductor Material and Plating	Copper
Dielectric Type	PE (F)
Number of Shields	2
Shield Layer 1	Aluminum Tape
Shield Layer 2	Tinned Copper Braid
Jacket Material	PE, Black
Jacket Diameter	0.405 in [10.29 mm]
Repeated Minimum Bend Radius	2 in [50.8 mm]

#### Connectors

Description	Connector 1	Connector 2
Type	SMA Male Threaded	N Male Threaded
Impedance	50 Ohms	50 Ohms
Contact Material and Plating	Brass, Gold	Brass, Gold
Contact Plating Specification		15 $\mu$ m minimum
Dielectric Type	PTFE	PTFE
Body Material and Plating	Brass, Gold	Brass, Tri-Metal
Coupling Nut Material and Plating	Brass, Gold	Brass, Tri-Metal
Hex Size	5/16 inch	18 mm
Torque	3 in-lbs [0.34 Nm]	

#### Environmental Specifications

##### Temperature

Operating Range -40 to +85 deg C

**Compliance Certifications** (see [product page](#) for current document)

#### Plotted and Other Data

Notes:

Click the following link (or enter part number in "SEARCH" on website) to obtain additional part information including price, inventory and certifications: [SMA Male to N Male Low Loss Cable Using PE-C400 Coax PE3W03851](#)



## SMA Male to N Male Low Loss Cable Using PE-C400 Coax

### TECHNICAL DATA SHEET

**PE3W03851**

#### How to Order

Part Number Configuration:

**PE3W03851**

- **xx**

**uu**

Unit of Measure:

cm = Centimeters

<blank> = Inches

Length

Base Number

Example: PE3W03851-12 = 12 inches long cable  
PE3W03851-100cm = 100 cm long cable

SMA Male to N Male Low Loss Cable Using PE-C400 Coax from Pasternack Enterprises has same day shipment for domestic and International orders. Our RF, microwave and millimeter wave products maintain a 99.4% availability and are part of the broadest selection in the industry.

Click the following link (or enter part number in "SEARCH" on website) to obtain additional part information including price, inventory and certifications: [SMA Male to N Male Low Loss Cable Using PE-C400 Coax PE3W03851](#)

URL: <https://www.pasternack.com/sma-male-to-n-male-low-loss-cable-using-pe-c400-pe3w03851-p.aspx>

The information contained in this document is accurate to the best of our knowledge and representative of the part described herein. It may be necessary to make modifications to the part and/or the documentation of the part, in order to implement improvements. Pasternack reserves the right to make such changes as required. Unless otherwise stated, all specifications are nominal. Pasternack does not make any representation or warranty regarding the suitability of the part described herein for any particular purpose, and Pasternack does not assume any liability arising out of the use of any part or documentation.

# PE3W03851 CAD Drawing

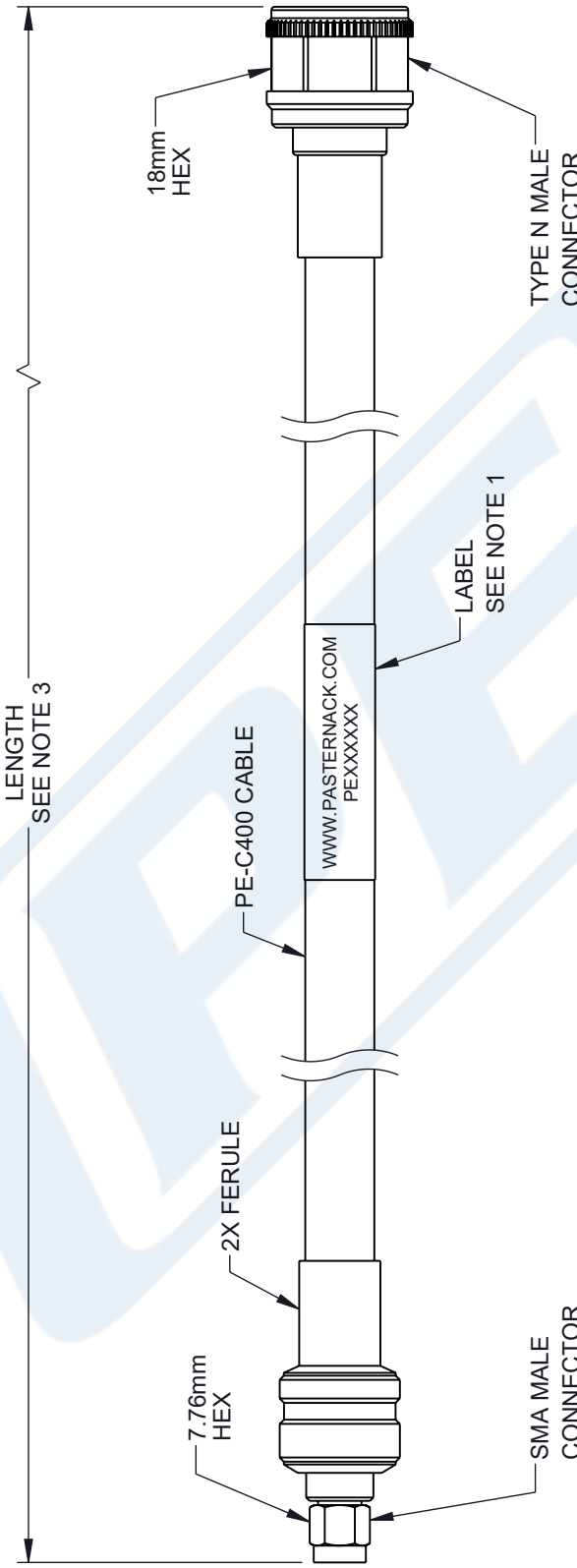
SMA Male to N Male Low Loss Cable Using PE-C400 Coax

F E D C B A

F E D C B A

1 2 3 4 5 6

REVISION		CHANGED BY	APPROVED BY
ZONE	REV.	DESCRIPTION	DATE
	A	INITIAL RELEASE	11/16/2023
			BPUCHASKI
			AGANWANI



**NOTES:**

1. CABLE ASSEMBLY LENGTH LABEL PLACEMENT: 36 INCHES OR LESS, ONE LABEL APPROXIMATELY CENTERED. LONGER THAN 36 INCHES, TWO LABELS APPROXIMATELY 6 INCHES FROM EACH CONNECTOR.
2. CABLE ASSEMBLIES SHALL BE TESTED FOR CONTINUITY.
3. CABLE ASSEMBLY LENGTH DETERMINED BY ITEM PN AND DESCRIPTION

THE INFORMATION CONTAINED IN THIS DRAWING IS THE SOLE PROPERTY OF INFINITE ELECTRONICS, INC. ANY REPRODUCTION IN PART OR WHOLE WITHOUT THE WRITTEN PERMISSION OF INFINITE ELECTRONICS, INC. IS PROHIBITED. THESE COMMODITIES, TECHNOLOGY OR SOFTWARE WERE EXPORTED FROM THE UNITED STATES IN ACCORDANCE WITH THE EXPORT ADMINISTRATION REGULATIONS. DIVERSION CONTRARY TO U.S. LAW PROHIBITED.

	INTERPRET ALL DIMENSIONS AND TOLERANCES PER ASME Y14.5 SCALE NONE SHEET 1 OF 1
	Website: <a href="http://www.Pasternack.com">www.Pasternack.com</a> Phone: 1.866.727.8376   1.949.261.1920
DESCRIPTION <b>SMA MALE TO N MALE LOW LOSS CABLE USING PE-C400 COAX</b>	
UNLESS OTHERWISE SPECIFIED LEADING DIMENSIONS ARE IN INCHES DIMENSIONS IN [ ] ARE MILLIMETERS TOLERANCES: .X = ±.2 [5] .XX = ±.02 [0.5] .XXX = ±.005 [0.13] FRACTIONS ± 1/32 ANGLES ± 1° CABLE LENGTH TOLERANCES: ≤ 12 [305] = ±.1 [2.5] / -0 ≤ 17 [430] = ±.2 [5.1] / -0 ≤ 20 [508] = ±.3 [7.6] / -0 ≤ 30 [762] = ±.5 [12.7] / -0 ≤ 60 [1524] = ±1.0 [25.4] / -0 ≤ 120 [3048] = ±2.0 [50.8] / -0 ≤ 300 [7620] = ±6.0 [152] / -0 > 300 [7620] = ±5% / -0	ALL DIMENSIONS ARE FOR REFERENCE ONLY UNLESS OTHERWISE SPECIFIED UNDIMENSIONED CRITICAL FEATURES MAY VARY IN SIZE AND LOCATION COLORS MAY VARY
CAGE CODE 53919 DRAWN BY BPUCHASKI ITEM NO. PE3W03851	REV A