

## N Male to UHF Male Cable Using RG58 Coax



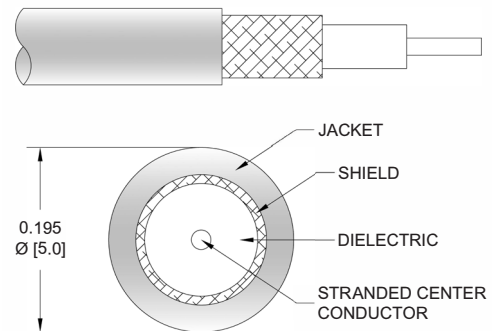
### PE3W06713

#### Configuration

- Connector 1: N Male
- Connector 2: UHF Male
- Cable Type: RG58
- Coax Flex Type: Flexible

#### Features

- Max Frequency 300 MHz
- 65.9% Phase Velocity
- PVC (NC) Jacket



#### Applications

- General Purpose
- Laboratory Use

#### Description

Pasternack's PE3W06713 type N male to UHF male cable using RG58 coax is part of our full line of RF components available for same-day shipping. Pasternack's flexible RF cable assemblies are ideal for applications where tight bends and flexure are required. This Pasternack type N to UHF cable assembly has a male to male gender configuration with 50 ohm flexible RG58 coax. The PE3W06713 type N male to UHF male cable assembly operates to 300 MHz.

Custom versions of most RF cable assemblies can be built and shipped same day. Custom cable assembly lengths can be obtained by specifying the desired length on the web site at time of order or by contacting a sales representative. Other available RF cable assembly value added services include connector orientation or clocking, heat shrink booting and custom labeling. RF testing can also be performed to document the electrical performance of your cable assembly.

#### Electrical Specifications

Description	Minimum	Typical	Maximum	Units
Frequency Range	DC		300	GHz
VSWR			1.4:1	
Velocity of Propagation		65.9		%
Capacitance		30.8 [101.05]		pF/ft [pF/m]
Operating Voltage (AC)			500	Vrms

#### Specifications by Frequency

## N Male to UHF Male Cable Using RG58 Coax



### PE3W06713

Part Number	Length	Description	F1	F2	F3	F4	Units	Weight (lbs)
			Frequency	50	100	250	300	
PE3W06713	Custom Lengths Available	Insertion Loss (Typ.)	0.03	0.05	0.074	0.083	dB/ft	
			0.1	0.17	0.25	0.28	dB/m	
PE3W06713-12	12 inch	Insertion Loss (Typ.)	0.23	0.25	0.28	0.29	dB	0.132
PE3W06713-24	24 inch	Insertion Loss (Typ.)	0.26	0.3	0.35	0.37	dB	0.156
PE3W06713-36	36 inch	Insertion Loss (Typ.)	0.29	0.35	0.43	0.45	dB	0.18
PE3W06713-48	48 inch	Insertion Loss (Typ.)	0.32	0.4	0.5	0.54	dB	0.204
PE3W06713-200CM	200 cm	Insertion Loss (Typ.)	0.4	0.53	0.69	0.75	dB	0.262

The insertion loss data for the base model does not include loss due to the connectors. Each length includes insertion loss due to the connectors.

Loss due to Connector 1:	0.1 dB
Loss due to Connector 2:	0.1 dB
Base Weight:	0.132 pounds
Additional Weight per Inch:	0.002 pounds

### Mechanical Specifications

#### Cable Assembly

Width/Diameter	0.5 in [12.7 mm]
Weight	0.132 lbs [59.87 g]

#### Cable

Cable Type	RG58
Impedance	50 Ohms
Inner Conductor Type	Stranded
Inner Conductor Material and Plating	Copper, Tin
Dielectric Type	PE
Number of Shields	1
Shield Layer 1	Tinned Copper Braid
Jacket Material	PVC (NC), Black
Jacket Diameter	0.195 in [4.95 mm]
One Time Minimum Bend Radius	0.98 in [24.89 mm]
Repeated Minimum Bend Radius	1.96 in [49.78 mm]

## N Male to UHF Male Cable Using RG58 Coax



### PE3W06713

#### Connectors

Description	Connector 1	Connector 2
Type	N Male	UHF Male
Specification	MIL-STD-348A	
Impedance	50 Ohms	50 Ohms
Configuration	Straight	Straight
Mating Cycles	500	
Contact Material and Plating	Brass, Gold	Brass, Gold
Contact Plating Specification	30 µin minimum	30 µin minimum
Dielectric Type	PTFE	PTFE
Body Material and Plating	Brass, Tri-Metal	Brass, Nickel
Body Plating Specification		100 µin minimum
Coupling Nut Material and Plating	Brass, Tri-Metal	Brass, Nickel
Coupling Nut Plating Specification		100 µin minimum

#### Environmental Specifications

Operating Range Temperature -40 to +80 deg C

**Compliance Certifications** (see [product page](#) for current document)

#### Plotted and Other Data

Notes:

## N Male to UHF Male Cable Using RG58 Coax



### PE3W06713

#### Typical Performance Data

#### How to Order

Part Number Configuration:

**PE3W06713**

- **xx**

**uu**

Unit of Measure:

cm = Centimeters

<blank> = Inches

Length

Base Number

Example: PE3W06713-12 = 12 inches long cable  
PE3W06713-100cm = 100 cm long cable

N Male to UHF Male Cable Using RG58 Coax from Pasternack Enterprises has same day shipment for domestic and International orders. Our RF, microwave and millimeter wave products maintain a 99.4% availability and are part of the broadest selection in the industry.

Click the following link (or enter part number in "SEARCH" on website) to obtain additional part information including price, inventory and certifications: [N Male to UHF Male Cable Using RG58 Coax PE3W06713](https://www.pasternack.com/n-male-to-uhf-male-cable-using-rg58-pe3w06713)

URL: <https://www.pasternack.com/n-male-to-uhf-male-cable-using-rg58-pe3w06713-p.aspx>

The information contained within this document is accurate to the best of our knowledge and representative of the part described herein. It may be necessary to make modifications to the part and/or the documentation of the part in order to implement improvements. Pasternack Enterprises reserves the right to make such changes as required. Unless otherwise stated, all specifications are nominal. Pasternack Enterprises does not make any representation or warranty regarding the suitability of the part described herein for any particular purpose, and Pasternack Enterprises does not assume liability arising out of the use of any part or document.

# PE3W06713 CAD Drawing

## N Male to UHF Male Cable Using RG58 Coax

