



Fire Rated SMA Male to N Male Low Loss Cable Using LMR-195-FR Coax

TECHNICAL DATA SHEET

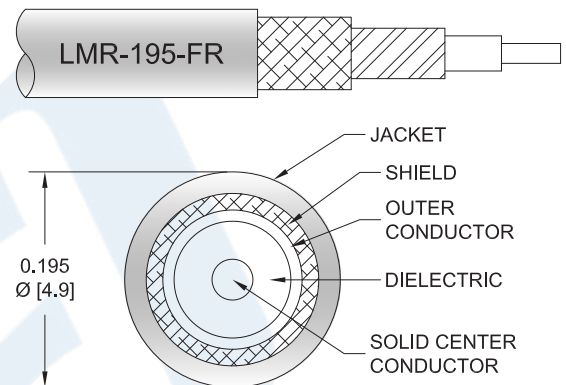
PE3W07152

Configuration

- Connector 1: SMA Male
- Connector 2: N Male
- Cable Type: LMR-195-FR
- Coax Flex Type: Flexible

Features

- Max Frequency 6 GHz
- Shielding Effectivity > 90 dB
- 76% Phase Velocity
- Double Shielded
- FRPE Jacket



Applications

- General Purpose
- Laboratory Use

Description

Pasternack's PE3W07152 SMA male to type N male cable using LMR-195-FR coax is part of our full line of RF components available for same-day shipping. Pasternack's flexible RF cable assemblies are ideal for applications where tight bends and flexure are required. This Pasternack SMA to type N cable assembly has a male to male gender configuration with 50 ohm flexible LMR-195-FR coax. The PE3W07152 SMA male to type N male cable assembly operates to 6 GHz. The double shielding of this Pasternack cable assembly provides excellent shielding effectiveness of better than 90 dB.

Custom versions of most RF cable assemblies can be built and shipped same day. Custom cable assembly lengths can be obtained by specifying the desired length on the web site at time of order or by contacting a sales representative. Other available RF cable assembly value added services include connector orientation or clocking, heat shrink booting and custom labeling. RF testing can also be performed to document the electrical performance of your cable assembly.

Click the following link (or enter part number in "SEARCH" on website) to obtain additional part information including price, inventory and certifications: [Fire Rated SMA Male to N Male Low Loss Cable Using LMR-195-FR Coax PE3W07152](#)



Fire Rated SMA Male to N Male Low Loss Cable Using LMR-195-FR Coax

TECHNICAL DATA SHEET

PE3W07152

Electrical Specifications

Description	Minimum	Typical	Maximum	Units
Frequency Range	DC		6	GHz
VSWR			1.4:1	
Velocity of Propagation		76		%
RF Shielding	90			dB
Group Delay		1.27 [4.17]		ns/ft [ns/m]
Capacitance		25.4 [83.33]		pF/ft [pF/m]
Inductance		0.064 [0.21]		uH/ft [uH/m]
DC Resistance Inner Conductor		7.6 [24.93]		Ω /1000ft [Ω /Km]
DC Resistance Outer Conductor		4.9 [16.08]		Ω /1000ft [Ω /Km]
Jacket Spark			3,000	Vrms

Specifications by Frequency

Part Number	Length	Description	F1	F2	F3	F4	F5	Units	Weight (lbs)
			Frequency					MHz	
PE3W07152	Custom Lengths Available	Insertion Loss (Typ.)	0.057	0.081	0.116	0.19	0.299	dB/ft	
			0.19	0.27	0.39	0.63	0.99	dB/m	
PE3W07152-12	12 inch	Insertion Loss (Typ.)	0.44	0.47	0.5	0.57	0.68	dB	0.128
PE3W07152-24	24 inch	Insertion Loss (Typ.)	0.5	0.55	0.62	0.76	0.98	dB	0.157
PE3W07152-36	36 inch	Insertion Loss (Typ.)	0.56	0.63	0.73	0.95	1.28	dB	0.185
PE3W07152-48	48 inch	Insertion Loss (Typ.)	0.61	0.71	0.85	1.14	1.58	dB	0.213
PE3W07152-60	60 inch	Insertion Loss (Typ.)	0.67	0.79	0.96	1.33	1.88	dB	0.241

The insertion loss data for the base model does not include loss due to the connectors. Each length includes insertion loss due to the connectors.

Loss due to Connector 1:	0.1 dB
Loss due to Connector 2:	0.28 dB
Base Weight:	0.128 pounds
Additional Weight per Inch:	0.00234 pounds

Mechanical Specifications

Cable Assembly

Weight 0.128 lbs [58.06 g]

Click the following link (or enter part number in "SEARCH" on website) to obtain additional part information including price, inventory and certifications: [Fire Rated SMA Male to N Male Low Loss Cable Using LMR-195-FR Coax PE3W07152](#)



Fire Rated SMA Male to N Male Low Loss Cable Using LMR-195-FR Coax

TECHNICAL DATA SHEET

PE3W07152

Cable

Cable Type	LMR-195-FR
Impedance	50 Ohms
Inner Conductor Type	Solid
Inner Conductor Material and Plating	Copper
Dielectric Type	PE
Number of Shields	2
Shield Layer 1	Aluminum Tape
Shield Layer 2	Tinned Copper Braid
Jacket Material	FRPE, Black
Jacket Diameter	0.195 in [4.95 mm]
One Time Minimum Bend Radius	0.5 in [12.7 mm]
Repeated Minimum Bend Radius	2 in [50.8 mm]
Bending Moment	0.2 lbs-ft [0.27 N-m]
Flat Plate Crush	15 lbs/in [0.27 Kg/mm]
Tensile Strength	40 lbs [18.14 Kg]

Connectors

Description	Connector 1	Connector 2
Type	SMA Male Threaded	N Male Threaded
Specification	MIL-STD-348A	MIL-STD-348
Impedance	50 Ohms	50 Ohms
Contact Material and Plating	Brass, Gold	Brass, Gold
Contact Plating Specification	50 µin minimum	50 µin minimum
Dielectric Type	PTFE	Teflon
Body Material and Plating	Brass, Nickel	Brass, Tri-Metal
Body Plating Specification	100 µin minimum	
Coupling Nut Material and Plating	Brass, Nickel	Brass, Tri-Metal
Coupling Nut Plating Specification	100 µin minimum	
Hex Size	5/16 inch	13/16 Inch
Torque	3 in-lbs [0.34 Nm]	

Environmental Specifications

Temperature

Operating Range -40 to +85 deg C

Click the following link (or enter part number in "SEARCH" on website) to obtain additional part information including price, inventory and certifications: [Fire Rated SMA Male to N Male Low Loss Cable Using LMR-195-FR Coax PE3W07152](#)



Fire Rated SMA Male to N Male Low Loss Cable Using LMR-195-FR Coax

TECHNICAL DATA SHEET

PE3W07152

Compliance Certifications (see [product page](#) for current document)

Plotted and Other Data

Notes:

How to Order

Part Number Configuration:

PE3W07152 - xx uu

Unit of Measure:
cm = Centimeters
<blank> = Inches
Length
Base Number

Example: PE3W07152-12 = 12 inches long cable
PE3W07152-100cm = 100 cm long cable

Fire Rated SMA Male to N Male Low Loss Cable Using LMR-195-FR Coax from Pasternack Enterprises has same day shipment for domestic and International orders. Our RF, microwave and millimeter wave products maintain a 99.4% availability and are part of the broadest selection in the industry.

Click the following link (or enter part number in "SEARCH" on website) to obtain additional part information including price, inventory and certifications: [Fire Rated SMA Male to N Male Low Loss Cable Using LMR-195-FR Coax PE3W07152](#)

URL: <https://www.pasternack.com/fire-rated-sma-male-to-n-male-low-loss-cable-using-lmr-195-fr-pe3w07152-p.aspx>

The information contained in this document is accurate to the best of our knowledge and representative of the part described herein. It may be necessary to make modifications to the part and/or the documentation of the part, in order to implement improvements. Pasternack reserves the right to make such changes as required. Unless otherwise stated, all specifications are nominal. Pasternack does not make any representation or warranty regarding the suitability of the part described herein for any particular purpose, and Pasternack does not assume any liability arising out of the use of any part or documentation.

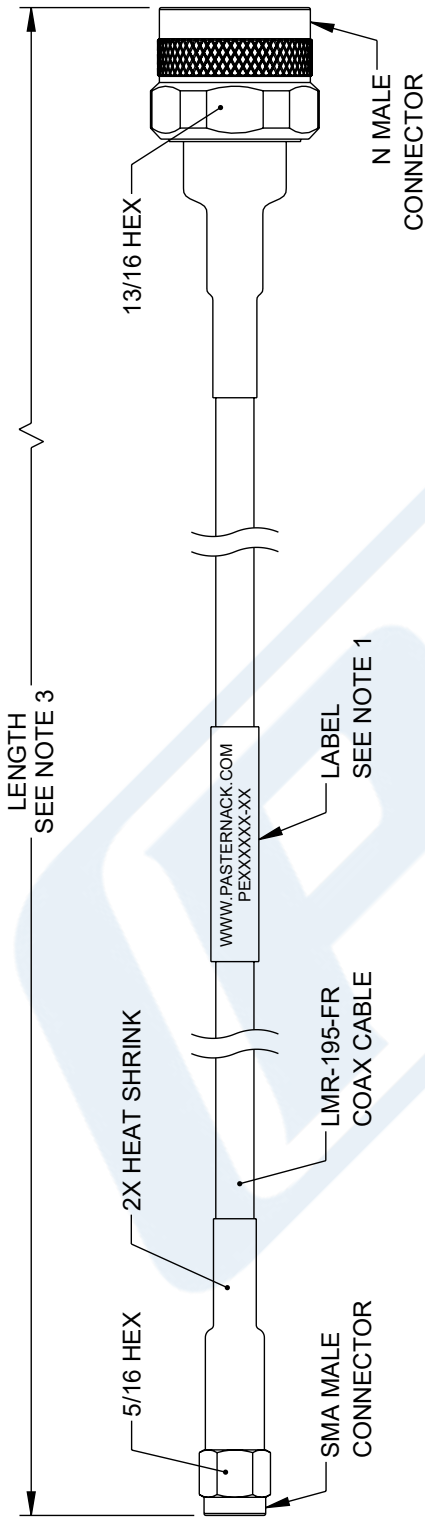
PE3W07152 CAD Drawing

Fire Rated SMA Male to N Male Low Loss Cable Using LMR-195-FR Coax

F E D C B A

1 2 3 4 5 6

ZONE	REV	DESCRIPTION	DATE	CHANGED BY	APPROVED
	A	INITIAL RELEASE	10/13/2023	KGLEBOVA	AGANWANI



LENGTH SEE NOTE 3

WWW.PASTERNAK.COM
PEXXXXX-XX

5/16 HEX

2X HEAT SHRINK

LMR-195-FR
COAX CABLE

SMA MALE
CONNECTOR

13/16 HEX

N MALE
CONNECTOR

LABEL
SEE NOTE 1

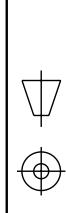
NOTES:

- CABLE ASSEMBLY LENGTH LABEL PLACEMENT:
36 INCHES OR LESS, ONE LABEL APPROXIMATELY CENTERED.
LONGER THAN 36 INCHES, TWO LABELS APPROXIMATELY 6
INCHES FROM EACH CONNECTOR.
- CABLE ASSEMBLIES SHALL BE TESTED FOR CONTINUITY.
- CABLE ASSEMBLY LENGTH DETERMINED BY ITEM PN AND
DESCRIPTION.

THE INFORMATION CONTAINED IN THIS DRAWING IS THE SOLE PROPERTY OF INFINITE ELECTRONICS, INC. ANY REPRODUCTION IN PART OR WHOLE WITHOUT THE WRITTEN PERMISSION OF INFINITE ELECTRONICS, INC. IS PROHIBITED. THESE COMMODITIES, TECHNOLOGY OR SOFTWARE WERE EXPORTED FROM THE UNITED STATES IN ACCORDANCE WITH THE EXPORT ADMINISTRATION REGULATIONS. DIVERSION CONTRARY TO U.S. LAW PROHIBITED.



Website: www.Pasternack.com
Phone: 1.866.727.8376 | 1.949.261.1920



INTERPRET ALL DIMENSIONS AND TOLERANCES PER ASME Y14.5
SCALE NONE SHEET 1 OF 1

UNLESS OTHERWISE SPECIFIED LEADING DIMENSIONS ARE INCHES DIMENSIONS IN [] ARE MILLIMETERS	
TOLERANCES:	FRACTIONS
.X = ±.2 [5]	± 1/32
.XX = ±.02 [0.5]	ANGLES ± 1°
.XXX = ±.005 [0.13]	CABLE LENGTH TOLERANCES:
	<12 [305] = ±.1 [2.5] / -0
	>12 [305] ≤ 60 [1525] = ±.2 [5.1] / -0
	>60 [1524] ≤ 120 [3048] = ±.4 [10.2] / -0
	>120 [3048] ≤ 300 [7620] = ±.6 [15.2] / -0
	>300 [7620] = ±.5% / -0

ALL DIMENSIONS ARE FOR REFERENCE ONLY. UNDIMENSIONED NON-CRITICAL FEATURES MAY VARY IN SIZE AND LOCATION. COLORS MAY VARY.

DESCRIPTION
FIRE RATED SMA MALE TO HEX COUPLING NUT N MALE LOW LOSS CABLE USING LMR-195-FR COAX

SIZE	CAGE CODE	DRAWN BY	ITEM NO.	REV
A	53919	KGLEBOVA	PE3W07152	A