



## SMA Female Bulkhead to SMA Male Right Angle Low Loss Cable Using PE-C195 Coax

### RF Cable Assemblies Technical Data Sheet

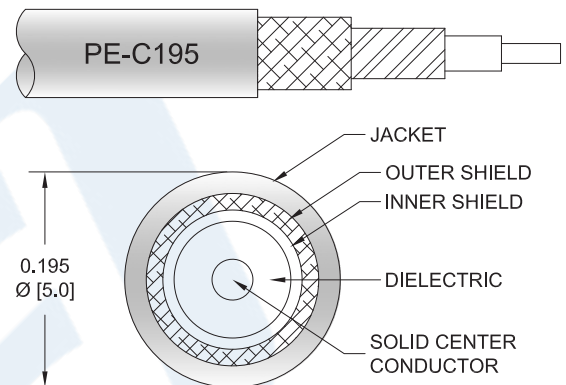
PE3W07670

#### Configuration

- Connector 1: SMA Female Bulkhead
- Connector 2: SMA Male Right Angle
- Cable Type: PE-C195

#### Features

- Max Frequency 5.8 GHz
- Shielding Effectivity > 90 dB
- 80% Phase Velocity
- Double Shielded
- PE Jacket



#### Applications

- General Purpose
- Laboratory Use

#### Description

Pasternack's PE3W07670 SMA female bulkhead to SMA male right angle cable using PE-C195 coax is part of our full line of RF components available for same-day shipping. Pasternack's flexible RF cable assemblies are ideal for applications where tight bends and flexure are required. This Pasternack SMA to SMA cable assembly has a female to male gender configuration with 50 ohm flexible PE-C195 coax. The PE3W07670 SMA female to SMA male cable assembly operates to 5.8 GHz. The right angle SMA interface on the PE-C195 cable allows for easier connections in tight spaces. Our RF cable assembly with SMA bulkhead interface allows designers to create external connections on their product enclosures, and can be used in a variety of other rack mount and panel mount applications. The double shielding of this Pasternack cable assembly provides excellent shielding effectiveness of better than 90 dB.

Custom versions of most RF cable assemblies can be built and shipped same day. Custom cable assembly lengths can be obtained by specifying the desired length on the web site at time of order or by contacting a sales representative. Other available RF cable assembly value added services include connector orientation or clocking, heat shrink booting and custom labeling. RF testing can also be performed to document the electrical performance of your cable assembly.

Click the following link (or enter part number in "SEARCH" on website) to obtain additional part information including price, inventory and certifications: [SMA Female Bulkhead to SMA Male Right Angle Low Loss Cable Using PE-C195 Coax PE3W07670](#)



## SMA Female Bulkhead to SMA Male Right Angle Low Loss Cable Using PE-C195 Coax

### RF Cable Assemblies Technical Data Sheet

PE3W07670

#### Electrical Specifications

Description	Minimum	Typical	Maximum	Units
Frequency Range	DC		5.8	GHz
Velocity of Propagation		80		%
RF Shielding	90			dB
Capacitance		25.4 [83.33]		pF/ft [pF/m]
Jacket Spark			5,000	Vrms

#### Specifications by Frequency

Description	F1	F2	F3	F4	F5	Units
Frequency	0.25	0.5	1	2.5	5.8	GHz
Insertion Loss (Typ.)	0.05	0.08	0.11	0.18	0.29	dB/ft
	0.16	0.26	0.36	0.59	0.95	dB/m

#### Electrical Specification Notes:

Insertion Loss does not include the loss of the connectors. Insertion Loss is estimated as 0.1 dB for the straight connector and 0.2 dB for the right angle connector.

#### Mechanical Specifications

##### Cable Assembly

##### Cable

Cable Type	PE-C195
Impedance	50 Ohms
Inner Conductor Type	Solid
Inner Conductor Material and Plating	Copper
Dielectric Type	PE (F)
Number of Shields	2
Shield Layer 1	Aluminum Tape
Shield Layer 2	Tinned Copper Braid
Jacket Material	PE, Black
Jacket Diameter	0.195 in [4.95 mm]
One Time Minimum Bend Radius	0.5 in [12.7 mm]
Repeated Minimum Bend Radius	2 in [50.8 mm]

Click the following link (or enter part number in "SEARCH" on website) to obtain additional part information including price, inventory and certifications: [SMA Female Bulkhead to SMA Male Right Angle Low Loss Cable Using PE-C195 Coax PE3W07670](#)



SMA Female Bulkhead to SMA Male Right Angle  
Low Loss Cable Using PE-C195 Coax

RF Cable Assemblies Technical Data Sheet

PE3W07670

**Connectors**

Description	Connector 1	Connector 2
Type	SMA Female Bulkhead	SMA Male Right Angle
Specification		MIL-STD-348A
Impedance	50 Ohms	50 Ohms
Contact Material and Plating		Brass, Gold
Contact Plating Specification		50 µin minimum
Dielectric Type		PTFE
Body Material and Plating	Brass, Nickel	Brass, Nickel
Body Plating Specification		100 µin minimum
Coupling Nut Material and Plating		Brass, Nickel
Coupling Nut Plating Specification		100 µin minimum
Hex Size		5/16 inch
Torque		3 in-lbs [0.34 Nm]

**Environmental Specifications**

**Temperature**

Operating Range

-40 to +85 deg C

Storage Range

-40 to +85 deg C

**Compliance Certifications** (see [product page](#) for current document)

**Plotted and Other Data**

Notes:

Click the following link (or enter part number in "SEARCH" on website) to obtain additional part information including price, inventory and certifications: [SMA Female Bulkhead to SMA Male Right Angle Low Loss Cable Using PE-C195 Coax PE3W07670](#)



## SMA Female Bulkhead to SMA Male Right Angle Low Loss Cable Using PE-C195 Coax

### RF Cable Assemblies Technical Data Sheet

PE3W07670

#### How to Order

Part Number Configuration:

**PE3W07670**

- **xx**

**uu**

Unit of Measure:  
cm = Centimeters  
<blank> = Inches  
Length  
Base Number

Example: PE3W07670-12 = 12 inches long cable  
PE3W07670-100cm = 100 cm long cable

SMA Female Bulkhead to SMA Male Right Angle Low Loss Cable Using PE-C195 Coax from Pasternack Enterprises has same day shipment for domestic and International orders. Our RF, microwave and millimeter wave products maintain a 99.4% availability and are part of the broadest selection in the industry.

Click the following link (or enter part number in "SEARCH" on website) to obtain additional part information including price, inventory and certifications: [SMA Female Bulkhead to SMA Male Right Angle Low Loss Cable Using PE-C195 Coax PE3W07670](https://www.pasternack.com/sma-female-sma-male-pe-c195-cable-assembly-pe3w07670-p.aspx)

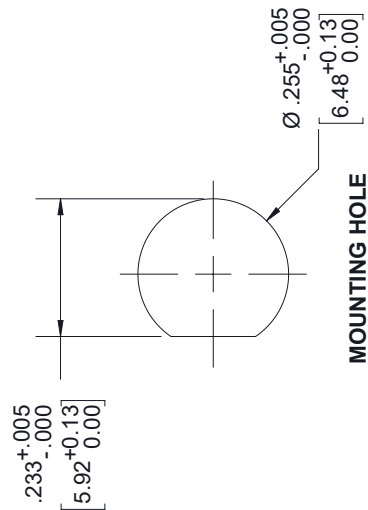
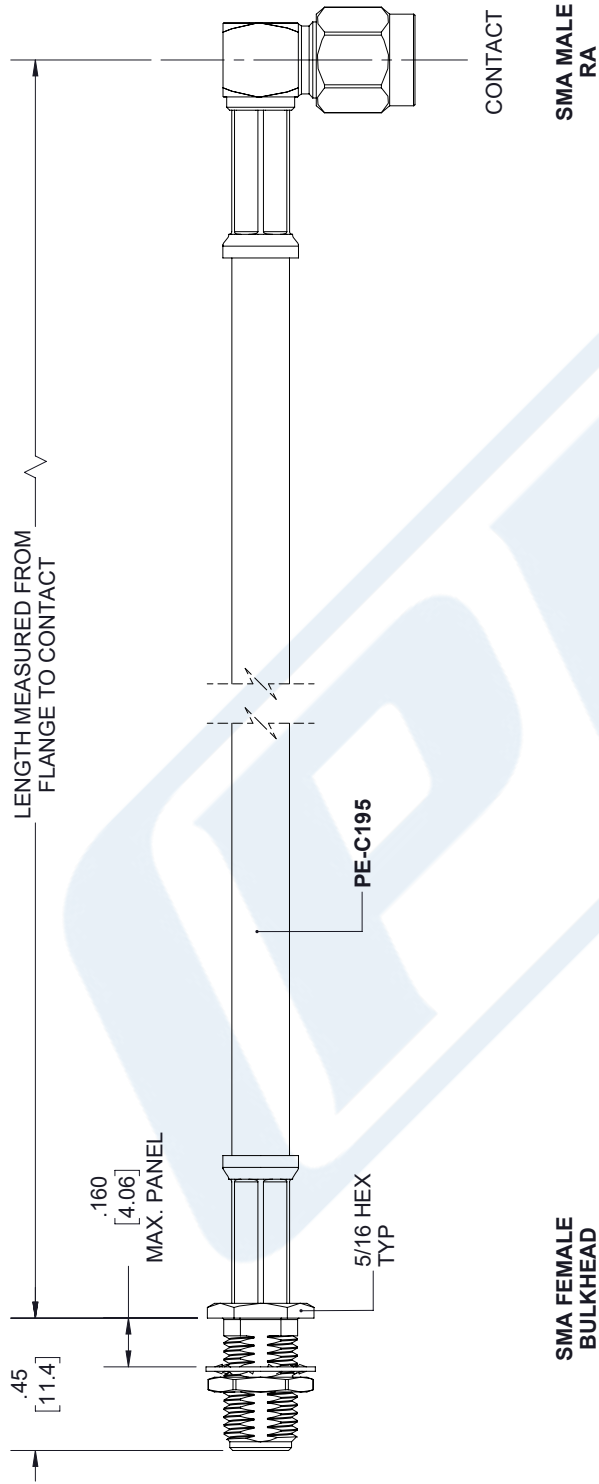
URL: <https://www.pasternack.com/sma-female-sma-male-pe-c195-cable-assembly-pe3w07670-p.aspx>

The information contained in this document is accurate to the best of our knowledge and representative of the part described herein. It may be necessary to make modifications to the part and/or the documentation of the part, in order to implement improvements. Pasternack reserves the right to make such changes as required. Unless otherwise stated, all specifications are nominal. Pasternack does not make any representation or warranty regarding the suitability of the part described herein for any particular purpose, and Pasternack does not assume any liability arising out of the use of any part or documentation.

# PE3W07670 CAD Drawing

SMA Female Bulkhead to SMA Male Right Angle Low Loss Cable Using PE-C195 Coax

REV.	DESCRIPTION	DATE	APPROVED
A	INITIAL RELEASE	3/10/2020	S. ELLIS



UNLESS OTHERWISE SPECIFIED LEADING DIMENSIONS ARE INCHES DIMENSIONS IN [ ] ARE MILLIMETERS

TOLERANCES:

.X = ±.2	[5.08]	FRACTIONS	± 1/32
.XX = ±.02	[.51]	ANGLES ± 1°	
.XXX = ±.005	[.13]	CABLE LENGTH (L) TOLERANCES:	
		L ≤ 12 [305]	± .1 [25] / -0
		12 [305] < L ≤ 60 [1524]	± .2 [51] / -0
		60 [1524] < L ≤ 120 [3048]	± .4 [102] / -0
		120 [3048] < L ≤ 300 [7620]	± .6 [152] / -0
		300 [7620] < L ≤ ∞	± .9% L / -0

ALL DIMENSIONS SHOWN ARE FOR REFERENCE ONLY.

**PE PASTERNAK**  
an INFINITI brand

Pasternack Enterprises, Inc.  
P. O. Box 16759, Irvine, CA 92623.  
Phone: 1.949.261.1920 | 1.866.727.8376  
Fax: 1.949.261.7451  
Website: www.pasternack.com  
E-mail: sales@pasternack.com

THIRD-ANGLE PROJECTION

THE INFORMATION AND DESIGN IN THIS DOCUMENT IS THE PROPERTY OF PASTERNAK CORPORATION. ALL RIGHTS RESERVED.

SHEET 1 OF 1

SCALE N/A

REV	ITEM NO	SCALE
A	PE3W07670	N/A
REV	ITEM NO	SCALE
A	PE3W07670	N/A