



## BNC Male to BNC Male Cable Using LMR-240-UF Coax

### RF Cable Assemblies Technical Data Sheet

PE3W08340

#### Configuration

- Connector 1: BNC Male
- Connector 2: BNC Male
- Cable Type: LMR-240-UF

#### Features

- Max Frequency 1 GHz
- Shielding Effectivity > 90 dB
- 84% Phase Velocity
- Double Shielded
- TPE Jacket

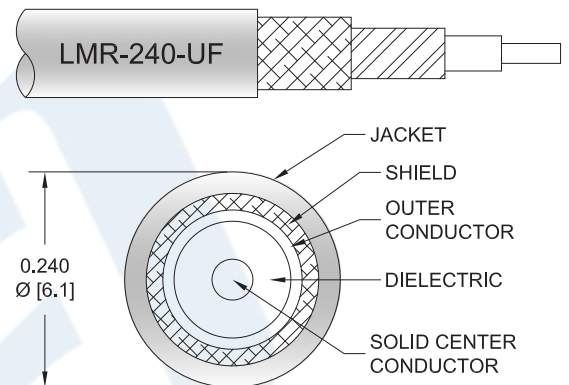
#### Applications

- General Purpose
- Laboratory Use

#### Description

Pasternack's PE3W08340 BNC male to BNC male cable using LMR-240-UF coax is part of our full line of RF components available for same-day shipping. Pasternack's flexible RF cable assemblies are ideal for applications where tight bends and flexure are required. This Pasternack BNC to BNC cable assembly has a male to male gender configuration with 50 ohm flexible LMR-240-UF coax. The PE3W08340 BNC male to BNC male cable assembly operates to 1 GHz. The double shielding of this Pasternack cable assembly provides excellent shielding effectiveness of better than 90 dB.

Custom versions of most RF cable assemblies can be built and shipped same day. Custom cable assembly lengths can be obtained by specifying the desired length on the web site at time of order or by contacting a sales representative. Other available RF cable assembly value added services include connector orientation or clocking, heat shrink booting and custom labeling. RF testing can also be performed to document the electrical performance of your cable assembly.



Click the following link (or enter part number in "SEARCH" on website) to obtain additional part information including price, inventory and certifications: [BNC Male to BNC Male Cable Using LMR-240-UF Coax PE3W08340](#)



## BNC Male to BNC Male Cable Using LMR-240-UF Coax

### RF Cable Assemblies Technical Data Sheet

PE3W08340

#### Electrical Specifications

| Description                   | Minimum | Typical      | Maximum | Units                            |
|-------------------------------|---------|--------------|---------|----------------------------------|
| Frequency Range               | DC      |              | 1,000   | MHz                              |
| VSWR                          |         |              | 1.4:1   |                                  |
| Velocity of Propagation       |         | 84           |         | %                                |
| RF Shielding                  | 90      |              |         | dB                               |
| Group Delay                   |         | 1.21 [3.97]  |         | ns/ft [ns/m]                     |
| Capacitance                   |         | 24.2 [79.4]  |         | pF/ft [pF/m]                     |
| Inductance                    |         | 0.06 [0.2]   |         | uH/ft [uH/m]                     |
| DC Resistance Inner Conductor |         | 4.28 [14.04] |         | $\Omega$ /1000ft [ $\Omega$ /Km] |
| DC Resistance Outer Conductor |         | 3.89 [12.76] |         | $\Omega$ /1000ft [ $\Omega$ /Km] |
| Jacket Spark                  |         |              | 5,000   | Vrms                             |

#### Specifications by Frequency

| Description           | F1    | F2    | F3    | F4    | F5    | Units |
|-----------------------|-------|-------|-------|-------|-------|-------|
| Frequency             | 50    | 100   | 250   | 500   | 1,000 | MHz   |
| Insertion Loss (Max.) | 0.021 | 0.029 | 0.047 | 0.067 | 0.096 | dB/ft |
|                       | 0.07  | 0.1   | 0.15  | 0.22  | 0.31  | dB/m  |

#### Electrical Specification Notes:

Insertion Loss does not include the loss of the connectors. Insertion Loss is estimated as 0.1 dB per BNC male connector.

#### Mechanical Specifications

##### Cable Assembly

Diameter 0.56 in [14.22 mm]

##### Cable

Cable Type LMR-240-UF  
 Impedance 50 Ohms  
 Inner Conductor Type Stranded  
 Inner Conductor Material and Plating Copper  
 Dielectric Type PE (F)  
 Number of Shields 2  
 Shield Layer 1 Aluminum Tape  
 Shield Layer 2 Tinned Copper Braid  
 Jacket Material TPE, Black  
 Jacket Diameter 0.24 in [6.1 mm]

Click the following link (or enter part number in "SEARCH" on website) to obtain additional part information including price, inventory and certifications: [BNC Male to BNC Male Cable Using LMR-240-UF Coax PE3W08340](#)



## BNC Male to BNC Male Cable Using LMR-240-UF Coax

### RF Cable Assemblies Technical Data Sheet

PE3W08340

|                              |                        |
|------------------------------|------------------------|
| One Time Minimum Bend Radius | 0.75 in [19.05 mm]     |
| Repeated Minimum Bend Radius | 2.5 in [63.5 mm]       |
| Bending Moment               | 0.13 lbs-ft [0.18 N-m] |
| Flat Plate Crush             | 13 lbs/in [0.23 Kg/mm] |
| Tensile Strength             | 80 lbs [36.29 Kg]      |

#### Connectors

| Description                          | Connector 1              | Connector 2              |
|--------------------------------------|--------------------------|--------------------------|
| Type                                 | BNC Male                 | BNC Male                 |
| Impedance                            | 50 Ohms                  | 50 Ohms                  |
| Contact Material and Plating         | Brass, Gold              | Brass, Gold              |
| Dielectric Type                      | Teflon                   | Teflon                   |
| Outer Conductor Material and Plating | Beryllium Copper, Silver | Beryllium Copper, Silver |
| Body Material and Plating            | Brass, Silver            | Brass, Silver            |
| Coupling Nut Material and Plating    | Brass, Silver            | Brass, Silver            |
| Seal Gasket Material                 | Silicone                 | Silicone                 |

**Compliance Certifications** (see [product page](#) for current document)

#### Plotted and Other Data

Notes:

Click the following link (or enter part number in "SEARCH" on website) to obtain additional part information including price, inventory and certifications: [BNC Male to BNC Male Cable Using LMR-240-UF Coax PE3W08340](#)



## BNC Male to BNC Male Cable Using LMR-240-UF Coax

### RF Cable Assemblies Technical Data Sheet

PE3W08340

#### How to Order

Part Number Configuration:

**PE3W08340**

- **xx**

**uu**

Unit of Measure:  
cm = Centimeters  
<blank> = Inches  
Length  
Base Number

Example: PE3W08340-12 = 12 inches long cable  
PE3W08340-100cm = 100 cm long cable

BNC Male to BNC Male Cable Using LMR-240-UF Coax from Pasternack Enterprises has same day shipment for domestic and International orders. Our RF, microwave and millimeter wave products maintain a 99.4% availability and are part of the broadest selection in the industry.

Click the following link (or enter part number in "SEARCH" on website) to obtain additional part information including price, inventory and certifications: [BNC Male to BNC Male Cable Using LMR-240-UF Coax PE3W08340](https://www.pasternack.com/bnc-male-bnc-male-lmr240uf-cable-assembly-pe3w08340-p.aspx)

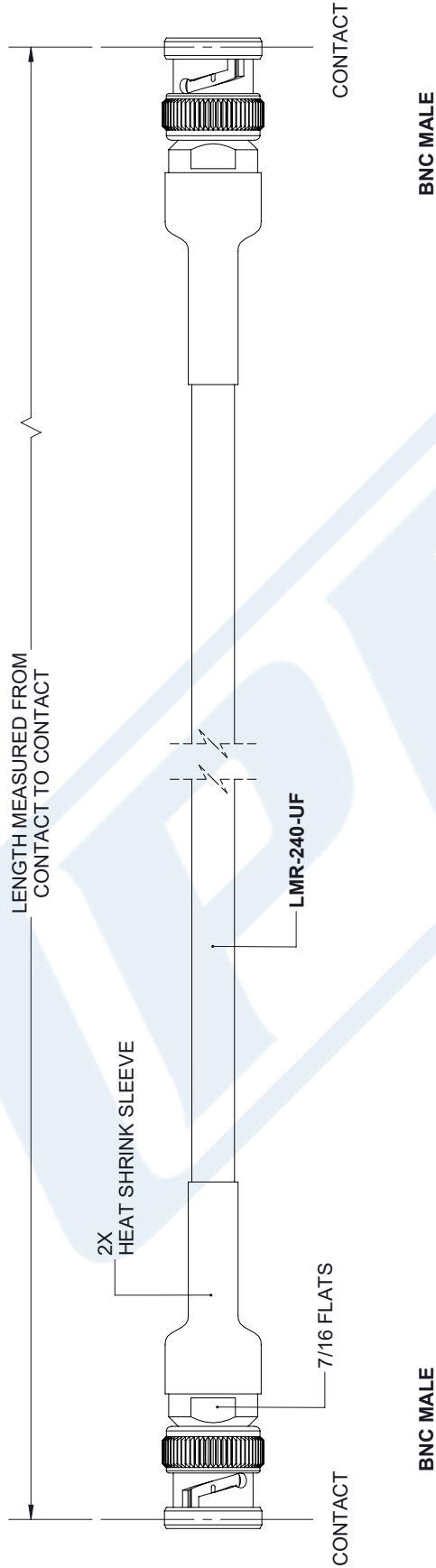
URL: <https://www.pasternack.com/bnc-male-bnc-male-lmr240uf-cable-assembly-pe3w08340-p.aspx>

The information contained in this document is accurate to the best of our knowledge and representative of the part described herein. It may be necessary to make modifications to the part and/or the documentation of the part, in order to implement improvements. Pasternack reserves the right to make such changes as required. Unless otherwise stated, all specifications are nominal. Pasternack does not make any representation or warranty regarding the suitability of the part described herein for any particular purpose, and Pasternack does not assume any liability arising out of the use of any part or documentation.

# PE3W08340 CAD Drawing

## BNC Male to BNC Male Cable Using LMR-240-UF Coax

| REVISIONS |                 |           |          |
|-----------|-----------------|-----------|----------|
| REV.      | DESCRIPTION     | DATE      | APPROVED |
| A         | INITIAL RELEASE | 1/24/2020 | S.ELLIS  |



**UNLESS OTHERWISE SPECIFIED LEADING DIMENSIONS ARE INCHES DIMENSIONS IN [ ] ARE MILLIMETERS**

**TOLERANCES:**

|              |        |             |
|--------------|--------|-------------|
| .X = ±.2     | [5.08] | FRACTIONS   |
| .XX = ±.02   | [.51]  | ± 1/32      |
| .XXX = ±.005 | [.13]  | ANGLES ± 1° |

**CABLE LENGTH (L) TOLERANCES:**

|                      |        |                 |
|----------------------|--------|-----------------|
| L ≤ 12               | [305]  | = +1 [25] / -0  |
| 12 [305] < L ≤ 60    | [1524] | = +2 [51] / -0  |
| 60 [1524] < L ≤ 120  | [3048] | = +4 [102] / -0 |
| 120 [3048] < L ≤ 300 | [7620] | = +6 [152] / -0 |
| 300 [7620] < L ≤ ∞   |        | = +5% / L / -0  |

ALL DIMENSIONS SHOWN ARE FOR REFERENCE ONLY.

**THIRD-ANGLE PROJECTION**

THE INFORMATION AND DESIGN IN THIS DOCUMENT IS THE PROPERTY OF PASTERNAK CORPORATION. ALL RIGHTS RESERVED.

SHEET 1 OF 1

SCALE N/A

**Pasternack Enterprises, Inc.**  
 P. O. Box 16759, Irvine, CA 92623.  
 Phone: 1.949.261.1920 | 1.866.727.8376  
 Fax: 1.949.261.7451  
 Website: www.pasternack.com  
 E-mail: sales@pasternack.com

|      |           |          |           |
|------|-----------|----------|-----------|
| SIZE | CAGE CODE | DRAWN BY | ITEM NO.  |
| A    | 53919     | K.DANG   | PE3W08340 |
| REV  |           |          | A         |

THESE COMMODITIES, TECHNOLOGY OR SOFTWARE WERE EXPORTED FROM THE UNITED STATES IN ACCORDANCE WITH THE EXPORT ADMINISTRATION REGULATIONS. DIVERSION CONTRARY TO U.S. LAW PROHIBITED.