



Black FAKRA Plug to Black FAKRA Jack Low Loss Cable Using LMR-100 Coax with HeatShrink

TECHNICAL DATA SHEET

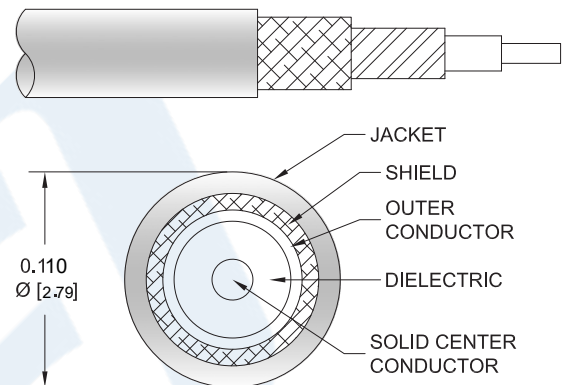
PE3W08444/HS

Configuration

- Connector 1: FAKRA Plug
- Connector 2: FAKRA Jack
- Cable Type: LMR-100A
- Coax Flex Type: Flexible

Features

- Max Frequency 4 GHz
- Shielding Effectivity > 90 dB
- 66% Phase Velocity
- Double Shielded
- PVC Jacket



Applications

- General Purpose
- Laboratory Use

Description

Pasternack's PE3W08444/HS black FAKRA plug to FAKRA jack cable using LMR-100 coax is part of our full line of RF components available for same-day shipping. Pasternack's flexible RF cable assemblies are ideal for applications where tight bends and flexure are required. This Pasternack FAKRA to FAKRA cable assembly has a plug to jack gender configuration with 50 ohm flexible LMR-100A coax. The PE3W08444/HS FAKRA plug to FAKRA jack cable assembly operates to 4 GHz. The double shielding of this Pasternack cable assembly provides excellent shielding effectiveness of better than 90 dB.

Custom versions of most RF cable assemblies can be built and shipped same day. Custom cable assembly lengths can be obtained by specifying the desired length on the web site at time of order or by contacting a sales representative. Other available RF cable assembly value added services include connector orientation or clocking, heat shrink booting and custom labeling. RF testing can also be performed to document the electrical performance of your cable assembly.

Click the following link (or enter part number in "SEARCH" on website) to obtain additional part information including price, inventory and certifications: [Black FAKRA Plug to Black FAKRA Jack Low Loss Cable Using LMR-100 Coax with Heat-Shrink PE3W08444/HS](#)



Black FAKRA Plug to Black FAKRA Jack Low Loss Cable Using LMR-100 Coax with HeatShrink

TECHNICAL DATA SHEET

PE3W08444/HS

Electrical Specifications

Description	Minimum	Typical	Maximum	Units
Frequency Range	DC		4	GHz
VSWR			1.4:1	
Velocity of Propagation		66		%
RF Shielding	90			dB
Group Delay		1.54 [5.05]		ns/ft [ns/m]
Capacitance		30.8 [101.05]		pF/ft [pF/m]
Inductance		0.077 [0.25]		uH/ft [uH/m]
DC Resistance Inner Conductor		81 [265.75]		Ω /1000ft [Ω /Km]
DC Resistance Outer Conductor		9.5 [31.17]		Ω /1000ft [Ω /Km]
Jacket Spark			2,000	Vrms

Specifications by Frequency

Part Number	Length	Description	F1	F2	F3	F4	F5	Units	Weight (lbs)
		Frequency	100	250	500	1000	4000	MHz	
PE3W08444/HS	Custom Lengths Available	Insertion Loss (Typ.)	0.07	0.12	0.17	0.24	0.51	dB/ft	
			0.23	0.38	0.55	0.79	1.67	dB/m	
PE3W08444/HS-24	24 inch	Insertion Loss (Typ.)	0.34	0.43	0.53	0.68	1.22	dB	0.031
PE3W08444/HS-36	36 inch	Insertion Loss (Typ.)	0.41	0.55	0.7	0.92	1.73	dB	0.04
PE3W08444/HS-48	48 inch	Insertion Loss (Typ.)	0.48	0.66	0.86	1.16	2.24	dB	0.049
PE3W08444/HS-100CM	100 cm	Insertion Loss (Typ.)	0.43	0.58	0.75	0.99	1.87	dB	0.043
PE3W08444/HS-200CM	200 cm	Insertion Loss (Typ.)	0.66	0.96	1.29	1.78	3.54	dB	0.073

The insertion loss data for the base model does not include loss due to the connectors. Each length includes insertion loss due to the connectors.

Loss due to Connector 1:	0.1 dB
Loss due to Connector 2:	0.1 dB
Base Weight:	0.022 pounds
Additional Weight per Inch:	0.00075 pounds

Mechanical Specifications

Cable Assembly

Weight 0.022 lbs [9.98 g]

Click the following link (or enter part number in "SEARCH" on website) to obtain additional part information including price, inventory and certifications: [Black FAKRA Plug to Black FAKRA Jack Low Loss Cable Using LMR-100 Coax with Heat-Shrink PE3W08444/HS](#)



Black FAKRA Plug to Black FAKRA Jack Low Loss Cable Using LMR-100 Coax with HeatShrink

TECHNICAL DATA SHEET

PE3W08444/HS

Cable

Cable Type	LMR-100A
Impedance	50 Ohms
Inner Conductor Type	Solid
Inner Conductor Material and Plating	Copper Clad Steel
Dielectric Type	PE
Number of Shields	2
Shield Layer 1	Aluminum Tape
Shield Layer 2	Tinned Copper Braid
Jacket Material	PVC, Black
Jacket Diameter	0.11 in [2.79 mm]
One Time Minimum Bend Radius	0.25 in [6.35 mm]
Repeated Minimum Bend Radius	1 in [25.4 mm]
Bending Moment	0.1 lbs-ft [0.14 N-m]
Flat Plate Crush	10 lbs/in [0.18 Kg/mm]
Tensile Strength	15 lbs [6.8 Kg]

Connectors

Description	Connector 1	Connector 2
Type	FAKRA Plug Push-On	FAKRA Jack Push-On
Impedance	50 Ohms	50 Ohms
Configuration	Straight	Straight
Contact Material and Plating	Phosphor Bronze, Gold	Phosphor Bronze, Gold
Dielectric Type	PTFE	PTFE
Outer Conductor Material and Plating	Brass, Nickel	Brass, Nickel
Body Material and Plating	Plastic	Plastic

Environmental Specifications

Temperature

Operating Range -40 to +85 deg C

Compliance Certifications (see [product page](#) for current document)

Plotted and Other Data

Notes:

Click the following link (or enter part number in "SEARCH" on website) to obtain additional part information including price, inventory and certifications: [Black FAKRA Plug to Black FAKRA Jack Low Loss Cable Using LMR-100 Coax with Heat-Shrink PE3W08444/HS](#)



Black FAKRA Plug to Black FAKRA Jack Low Loss Cable Using LMR-100 Coax with HeatShrink

TECHNICAL DATA SHEET

PE3W08444/HS

How to Order

Part Number Configuration:

PE3W08444/HS - xx uu

Unit of Measure:
cm = Centimeters
<blank> = Inches
Length
Base Number

Example: PE3W08444/HS-12 = 12 inches long cable
PE3W08444/HS-100cm = 100 cm long cable

Black FAKRA Plug to Black FAKRA Jack Low Loss Cable Using LMR-100 Coax with HeatShrink from Pasternack Enterprises has same day shipment for domestic and International orders. Our RF, microwave and millimeter wave products maintain a 99.4% availability and are part of the broadest selection in the industry.

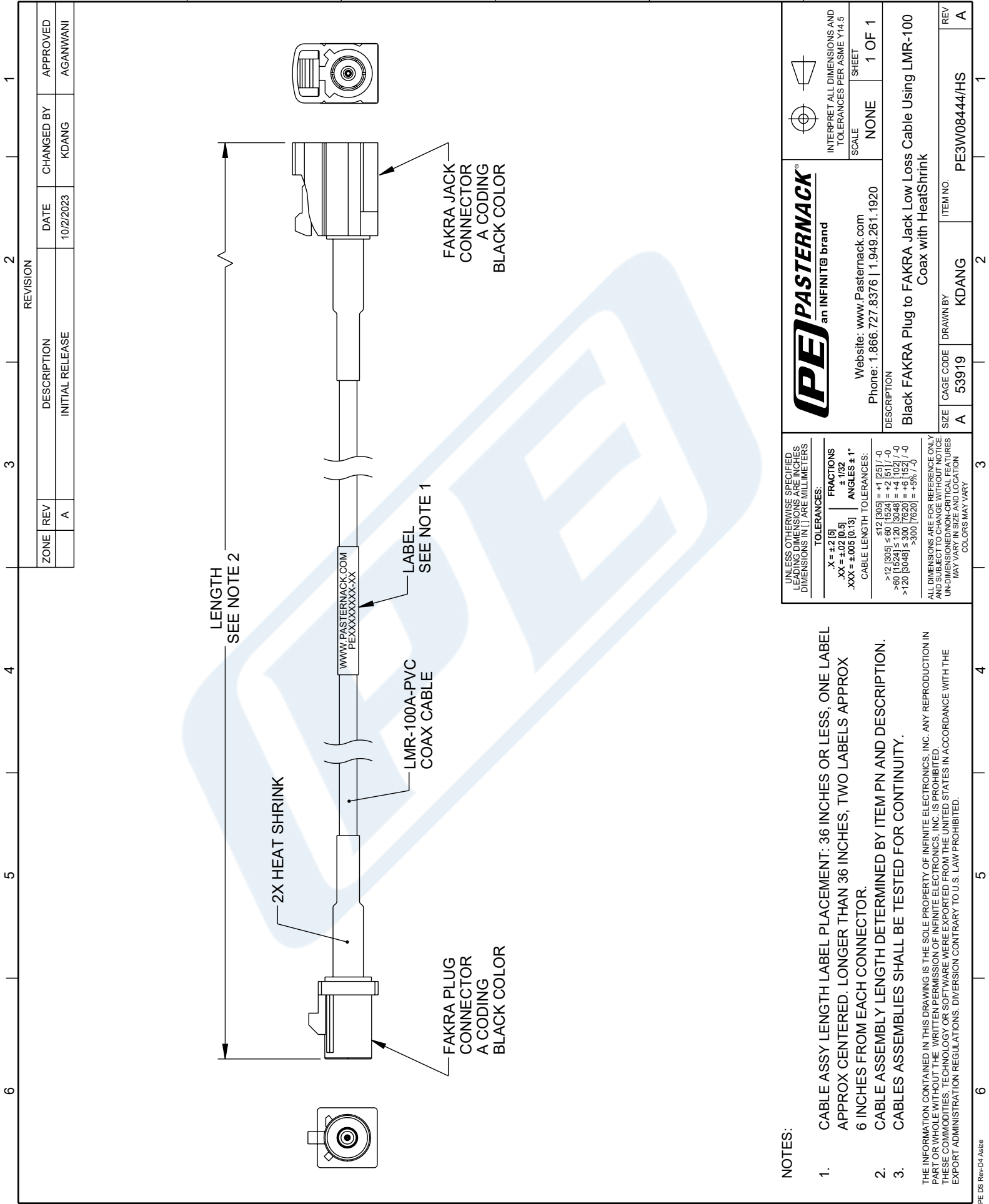
Click the following link (or enter part number in "SEARCH" on website) to obtain additional part information including price, inventory and certifications: [Black FAKRA Plug to Black FAKRA Jack Low Loss Cable Using LMR-100 Coax with HeatShrink PE3W08444/HS](https://www.pasternack.com/fakra-plug-to-fakra-jack-low-loss-cable-using-lmr-100-with-heatshrink-pe3w08444-hs-p)

URL: <https://www.pasternack.com/fakra-plug-to-fakra-jack-low-loss-cable-using-lmr-100-with-heatshrink-pe3w08444-hs-p.aspx>

The information contained in this document is accurate to the best of our knowledge and representative of the part described herein. It may be necessary to make modifications to the part and/or the documentation of the part, in order to implement improvements. Pasternack reserves the right to make such changes as required. Unless otherwise stated, all specifications are nominal. Pasternack does not make any representation or warranty regarding the suitability of the part described herein for any particular purpose, and Pasternack does not assume any liability arising out of the use of any part or documentation.

PE3W08444/HS CAD Drawing

F Black FAKRA Plug to Black FAKRA Jack Low Loss Cable Using LMR-100 Coax with HeatShrink A



LENGTH
SEE NOTE 2

2X HEAT SHRINK

LMR-100A-PVC
COAX CABLE

WWW.PASTERNAK.COM
PEXXXXXXXX-XX

LABEL
SEE NOTE 1

FAKRA PLUG
CONNECTOR
A CODING
BLACK COLOR

FAKRA JACK
CONNECTOR
A CODING
BLACK COLOR

NOTES:

1. CABLE ASSY LENGTH LABEL PLACEMENT: 36 INCHES OR LESS, ONE LABEL APPROX CENTERED. LONGER THAN 36 INCHES, TWO LABELS APPROX 6 INCHES FROM EACH CONNECTOR.
2. CABLE ASSEMBLY LENGTH DETERMINED BY ITEM PN AND DESCRIPTION.
3. CABLES ASSEMBLIES SHALL BE TESTED FOR CONTINUITY.

THE INFORMATION CONTAINED IN THIS DRAWING IS THE SOLE PROPERTY OF INFINITE ELECTRONICS, INC. ANY REPRODUCTION IN PART OR WHOLE WITHOUT THE WRITTEN PERMISSION OF INFINITE ELECTRONICS, INC. IS PROHIBITED. THESE COMMODITIES, TECHNOLOGY OR SOFTWARE WERE EXPORTED FROM THE UNITED STATES IN ACCORDANCE WITH THE EXPORT ADMINISTRATION REGULATIONS. DIVERSION CONTRARY TO U.S. LAW PROHIBITED.

UNLESS OTHERWISE SPECIFIED LEADING DIMENSIONS ARE INCHES DIMENSIONS IN [] ARE MILLIMETERS

TOLERANCES:	
.X ± .02 [0.5]	FRACTIONS ± 1/32
.XX ± .02 [0.5]	ANGLES ± 1°
.XXX ± .005 [0.13]	
CABLE LENGTH TOLERANCES:	
<12 [305]	±1 [25] / -0
>12 [305] ≤ 60 [1524]	±2 [51] / -0
>60 [1524] ≤ 120 [3048]	±4 [102] / -0
>120 [3048]	±8 [93] / -0
>300 [7620]	±16 [93] / -0

ALL DIMENSIONS ARE FOR REFERENCE ONLY AND SUBJECT TO CHANGE WITHOUT NOTICE UNDIMENSIONED CRITICAL FEATURES MAY VARY IN SIZE AND LOCATION COLORS MAY VARY



an INFINIT® brand
Website: www.Pasternack.com
Phone: 1.866.727.8376 | 1.949.261.1920

INTERPRET ALL DIMENSIONS AND TOLERANCES PER ASME Y14.5
SCALE NONE
SHEET 1 OF 1

DESCRIPTION
Black FAKRA Plug to FAKRA Jack Low Loss Cable Using LMR-100 Coax with HeatShrink

SIZE	CABLE CODE	DRAWN BY	ITEM NO.	REV
A	53919	KDANG	PE3W08444/HS	A

REVISION				
ZONE	REV	DESCRIPTION	DATE	CHANGED BY
	A	INITIAL RELEASE	10/2/2023	KDANG
				AGANWANI