

TNC Female Bulkhead to Reverse Polarity TNC Plug Low Loss Cable Using LMR-195 Coax with HeatShrink



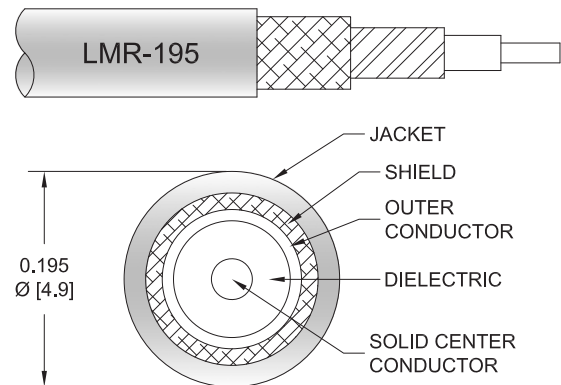
PE3W08762/HS

Configuration

- Connector 1: TNC Female Bulkhead
- Connector 2: TNC Plug Reverse Polarity
- Cable Type: LMR-195
- Coax Flex Type: Flexible

Features

- Max Frequency 4 GHz
- Shielding Effectivity > 90 dB
- 80% Phase Velocity
- Double Shielded
- PE Jacket



Applications

- General Purpose
- Laboratory Use

Description

Pasternack's PE3W08762/HS TNC female bulkhead to reverse polarity TNC plug cable using LMR-195 coax is part of our full line of RF components available for same-day shipping. Pasternack's flexible RF cable assemblies are ideal for applications where tight bends and flexure are required. This Pasternack TNC to reverse polarity TNC cable assembly has a female to plug gender configuration with 50 ohm flexible LMR-195 coax. The PE3W08762/HS TNC female to reverse polarity TNC plug cable assembly operates to 4 GHz. Our RF cable assembly with TNC bulkhead interface allows designers to create external connections on their product enclosures, and can be used in a variety of other rack mount and panel mount applications. The double shielding of this Pasternack cable assembly provides excellent shielding effectiveness of better than 90 dB.

Custom versions of most RF cable assemblies can be built and shipped same day. Custom cable assembly lengths can be obtained by specifying the desired length on the web site at time of order or by contacting a sales representative. Other available RF cable assembly value added services include connector orientation or clocking, heat shrink booting and custom labeling. RF testing can also be performed to document the electrical performance of your cable assembly.

Electrical Specifications

Description	Minimum	Typical	Maximum	Units
Frequency Range	DC		4	GHz
VSWR			1.4:1	
Velocity of Propagation		80		%
RF Shielding	90			dB
Group Delay		1.27 [4.17]		ns/ft [ns/m]
Capacitance		25.4 [83.33]		pF/ft [pF/m]
Inductance		0.064 [0.21]		uH/ft [uH/m]
DC Resistance Inner Conductor		7.6 [24.93]		Ohms/1000ft [Ohms/Km]
DC Resistance Outer Conductor		4.9 [16.08]		Ohms/1000ft [Ohms/Km]

TNC Female Bulkhead to Reverse Polarity TNC Plug
Low Loss Cable Using LMR-195 Coax with HeatShrink



PE3W08762/HS

Electrical Specifications

Description	Minimum	Typical	Maximum	Units
Operating Voltage (AC)			500	Vrms
Jacket Spark			3,000	Vrms

Specifications by Frequency

Part Number	Length	Description	F1	F2	F3	F4	F5	Units	Weight (lbs)
			Frequency					MHz	
PE3W08762/HS	Custom Lengths Available	Insertion Loss (Typ.)	0.035	0.057	0.082	0.117	0.24	dB/ft	
			0.12	0.19	0.27	0.39	0.79	dB/m	
PE3W08762/HS-12	12 In	Insertion Loss (Typ.)	0.24	0.26	0.29	0.32	0.44	dB	0.088
PE3W08762/HS-24	24 In	Insertion Loss (Typ.)	0.27	0.32	0.37	0.44	0.68	dB	0.111
PE3W08762/HS-36	36 In	Insertion Loss (Typ.)	0.31	0.38	0.45	0.56	0.92	dB	0.133
PE3W08762/HS-48	48 In	Insertion Loss (Typ.)	0.34	0.43	0.53	0.67	1.16	dB	0.155
PE3W08762/HS-60	60 In	Insertion Loss (Typ.)	0.38	0.49	0.61	0.79	1.4	dB	0.177

The insertion loss data for the base model does not include loss due to the connectors. Each length includes insertion loss due to the connectors.

Loss due to Connector 1:	0.1 dB
Loss due to Connector 2:	0.1 dB
Base Weight:	0.088 pounds
Additional Weight per Inch:	0.00184 pounds

Mechanical Specifications

Cable Assembly

Width/Diameter	0.5 in [12.7 mm]
Weight	0.066 lbs [29.94 g]

Cable

Cable Type	LMR-195
Impedance	50 Ohms
Inner Conductor Type	Solid
Inner Conductor Material and Plating	Copper
Dielectric Type	PE (F)
Number of Shields	2
Shield Layer 1	Aluminum Tape
Shield Layer 2	Tinned Copper Braid
Jacket Material	PE, Black
Jacket Diameter	0.195 in [4.95 mm]
One Time Minimum Bend Radius	0.5 in [12.7 mm]
Repeated Minimum Bend Radius	2 in [50.8 mm]
Bending Moment	0.2 lbs-ft [0.27 N-m]
Flat Plate Crush	15 lbs/in [0.27 Kg/mm]
Tensile Strength	40 lbs [18.14 Kg]

TNC Female Bulkhead to Reverse Polarity TNC Plug
Low Loss Cable Using LMR-195 Coax with HeatShrink



PE3W08762/HS

Connectors

Description	Connector 1	Connector 2
Type	TNC Female Bulkhead	TNC Plug Reverse Polarity
Specification	MIL-STD-348A	
Impedance	50 Ohms	50 Ohms
Configuration	Straight	Straight
Contact Material and Plating	Brass, Gold	Brass, Gold
Contact Plating Specification	30 µin minimum	30 µinches minimum
Dielectric Type	PTFE	
Body Material and Plating	Brass, Nickel	Brass, Nickel
Body Plating Specification	100 µin minimum	100 µinches minimum

Environmental Specifications

Operating Range Temperature -40 to +85 deg C

Compliance Certifications (see [product page](#) for current document)

Plotted and Other Data

Notes:

TNC Female Bulkhead to Reverse Polarity TNC Plug
Low Loss Cable Using LMR-195 Coax with HeatShrink



PE3W08762/HS

Typical Performance Data

How to Order

Part Number Configuration:

PE3W08762/HS - xx uu



Example: PE3W08762/HS-12 = 12 inches long cable
PE3W08762/HS-100cm = 100 cm long cable

TNC Female Bulkhead to Reverse Polarity TNC Plug Low Loss Cable Using LMR-195 Coax with HeatShrink from Pasternack Enterprises has same day shipment for domestic and International orders. Our RF, microwave and millimeter wave products maintain a 99.4% availability and are part of the broadest selection in the industry.

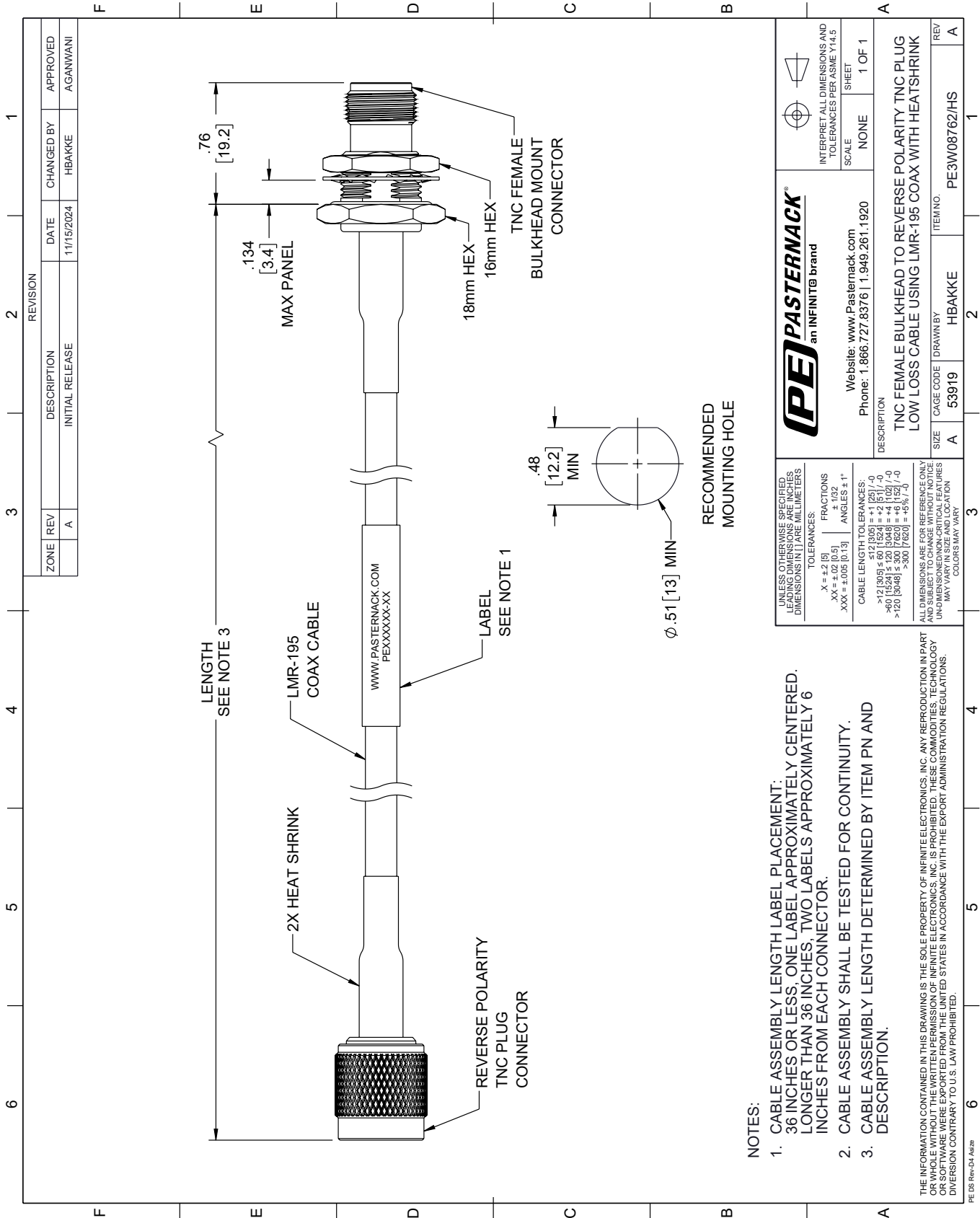
Click the following link (or enter part number in "SEARCH" on website) to obtain additional part information including price, inventory and certifications: [TNC Female Bulkhead to Reverse Polarity TNC Plug Low Loss Cable Using LMR-195 Coax with HeatShrink PE3W08762/HS](https://www.pasternack.com/tnc-female-bulkhead-to-reverse-polarity-tnc-plug-low-loss-cable-using-lmr-195-coax-with-heatshrink-pe3w08762/hs)

URL: <https://www.pasternack.com/tnc-female-bulkhead-to-reverse-polarity-tnc-plug-low-loss-cable-using-lmr-195-with-heatshrink-pe3w08762-hs-p.aspx>

The information contained within this document is accurate to the best of our knowledge and representative of the part described herein. It may be necessary to make modifications to the part and/or the documentation of the part in order to impliment improvements. Pasternack Enterprises reserves the right to make such changes as required. Unless otherwise stated, all specifications are nominal. Pasternack Enterprises does not make any representation or warranty regarding the suitability of the part described herein for any particular purpose, and Pasternack Enterprises does not assume liability arising out of the use of any part or document.

PE3W08762/HS CAD Drawing

TNC Female Bulkhead to Reverse Polarity TNC Plug Low Loss Cable Using LMR-195 Coax with HeatShrink



NOTES:

1. CABLE ASSEMBLY LENGTH LABEL PLACEMENT: 36 INCHES OR LESS, ONE LABEL APPROXIMATELY CENTERED. LONGER THAN 36 INCHES, TWO LABELS APPROXIMATELY 6 INCHES FROM EACH CONNECTOR.
2. CABLE ASSEMBLY SHALL BE TESTED FOR CONTINUITY.
3. CABLE ASSEMBLY LENGTH DETERMINED BY ITEM PN AND DESCRIPTION.

THE INFORMATION CONTAINED IN THIS DRAWING IS THE SOLE PROPERTY OF INFINITE ELECTRONICS, INC. ANY REPRODUCTION IN PART OR WHOLE WITHOUT THE WRITTEN PERMISSION OF INFINITE ELECTRONICS, INC. IS PROHIBITED. THESE COMMODITIES, TECHNOLOGY OR SOFTWARE ARE EXPORTED FROM THE UNITED STATES IN ACCORDANCE WITH THE EXPORT ADMINISTRATION REGULATIONS. DIVERSION CONTRARY TO U.S. LAW PROHIBITED.

PE DS Rev-04 Add2

UNLESS OTHERWISE SPECIFIED, LEADING DIMENSIONS ARE IN INCHES, OTHER DIMENSIONS ARE IN MILLIMETERS	
TOLERANCES:	
.X = ±.2 [5]	FRACTIONS ± 1/32
.XX = ±.02 [0.5]	ANGLES ± 1°
.XXX = ±.005 [0.13]	
CABLE LENGTH TOLERANCES:	
>12 [305] ≤ 60 [1524] = ±.1 [2.5] / -0	
>60 [1524] ≤ 120 [3048] = ±.4 [102] / -0	
>120 [3048] ≤ 300 [7620] = ±.6 [15.2] / -0	
>300 [7620] = ±.6 [15.2] / -0	
ALL DIMENSIONS ARE FOR REFERENCE ONLY. UNLESS OTHERWISE SPECIFIED, ALL DIMENSIONS ARE NON-CRITICAL FEATURES. MAY VARY IN SIZE AND LOCATION. COLORS MAY VARY.	

PE PASTERMACK an INFINITE brand		INTERPRET ALL DIMENSIONS AND TOLERANCES PER ASME Y14.5	
Website: www.Pasternack.com		SCALE	NONE
Phone: 1.866.727.8376 1.949.261.1920		SHEET	1 OF 1
DESCRIPTION		TNC FEMALE BULKHEAD TO REVERSE POLARITY TNC PLUG LOW LOSS CABLE USING LMR-195 COAX WITH HEATSHRINK	
SIZE	A	CAGE CODE	53919
DRAWN BY	HBAKKE	ITEM NO.	PE3W08762/HS
REV	A		