



Fire Rated SMA Male Right Angle to 7/16 DIN Male Low Loss Cable Using LMR-195-FR Coax

RF Cable Assemblies Technical Data Sheet

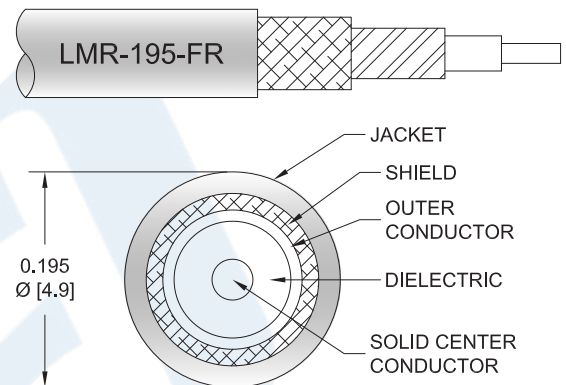
PE3W09756

Configuration

- Connector 1: SMA Male Right Angle
- Connector 2: 7/16 DIN Male
- Cable Type: LMR-195-FR

Features

- Max Frequency 3 GHz
- Shielding Effectivity > 90 dB
- 76% Phase Velocity
- Double Shielded
- FRPE Jacket



Applications

- General Purpose
- Laboratory Use

Description

Pasternack's PE3W09756 SMA male right angle to 7/16 DIN male cable using LMR-195-FR coax is part of our full line of RF components available for same-day shipping. Pasternack's flexible RF cable assemblies are ideal for applications where tight bends and flexure are required. This Pasternack SMA to 7/16 DIN cable assembly has a male to male gender configuration with 50 ohm flexible LMR-195-FR coax. The PE3W09756 SMA male to 7/16 DIN male cable assembly operates to 3 GHz. The right angle SMA interface on the LMR-195-FR cable allows for easier connections in tight spaces. The double shielding of this Pasternack cable assembly provides excellent shielding effectiveness of better than 90 dB.

Custom versions of most RF cable assemblies can be built and shipped same day. Custom cable assembly lengths can be obtained by specifying the desired length on the web site at time of order or by contacting a sales representative. Other available RF cable assembly value added services include connector orientation or clocking, heat shrink booting and custom labeling. RF testing can also be performed to document the electrical performance of your cable assembly.

Click the following link (or enter part number in "SEARCH" on website) to obtain additional part information including price, inventory and certifications: [Fire Rated SMA Male Right Angle to 7/16 DIN Male Low Loss Cable Using LMR-195-FR Coax PE3W09756](#)



Fire Rated SMA Male Right Angle to 7/16 DIN Male
Low Loss Cable Using LMR-195-FR Coax

RF Cable Assemblies Technical Data Sheet

PE3W09756

Electrical Specifications

Description	Minimum	Typical	Maximum	Units
Frequency Range	DC		3	GHz
VSWR			1.4:1	
Velocity of Propagation		76		%
RF Shielding	90			dB
Group Delay		1.27 [4.17]		ns/ft [ns/m]
Capacitance		25.4 [83.33]		pF/ft [pF/m]
Inductance		0.064 [0.21]		uH/ft [uH/m]
DC Resistance Inner Conductor		7.6 [24.93]		Ω /1000ft [Ω /Km]
DC Resistance Outer Conductor		4.9 [16.08]		Ω /1000ft [Ω /Km]
Jacket Spark			3,000	Vrms

Specifications by Frequency

Description	F1	F2	F3	F4	F5	Units
Frequency	0.1	0.25	0.5	1	3	GHz
Insertion Loss (Typ.)	0.034	0.057	0.081	0.116	0.206	dB/ft
	0.11	0.19	0.27	0.38	0.68	dB/m

Electrical Specification Notes:

Insertion Loss does not include the loss of the connectors. Insertion Loss is estimated as 0.1 dB for the straight connector and 0.2 dB for the right angle connector.

Mechanical Specifications

Cable Assembly

Weight 0.282 lbs [127.91 g]

Cable

Cable Type LMR-195-FR
 Impedance 50 Ohms
 Inner Conductor Type Solid
 Inner Conductor Material and Plating Copper
 Dielectric Type PE
 Number of Shields 2
 Shield Layer 1 Aluminum Tape
 Shield Layer 2 Tinned Copper Braid
 Jacket Material FRPE, Black
 Jacket Diameter 0.195 in [4.95 mm]

Click the following link (or enter part number in "SEARCH" on website) to obtain additional part information including price, inventory and certifications: [Fire Rated SMA Male Right Angle to 7/16 DIN Male Low Loss Cable Using LMR-195-FR Coax PE3W09756](#)



Fire Rated SMA Male Right Angle to 7/16 DIN Male
Low Loss Cable Using LMR-195-FR Coax

RF Cable Assemblies Technical Data Sheet

PE3W09756

One Time Minimum Bend Radius	0.5 in [12.7 mm]
Repeated Minimum Bend Radius	2 in [50.8 mm]
Bending Moment	0.2 lbs-ft [0.27 N-m]
Flat Plate Crush	15 lbs/in [0.27 Kg/mm]
Tensile Strength	40 lbs [18.14 Kg]

Connectors

Description	Connector 1	Connector 2
Type	SMA Male Right Angle	7/16 DIN Male
Specification	MIL-STD-348A	IEC 61169-4
Impedance	50 Ohms	50 Ohms
Contact Material and Plating	Brass, Gold	Brass, Silver
Contact Plating Specification	50 µin minimum	5 µm minimum
Dielectric Type	PTFE	PTFE
Body Material and Plating	Brass, Nickel	Brass, Tri-Metal
Body Plating Specification	100 µin minimum	2 µm minimum
Coupling Nut Material and Plating	Brass, Nickel	Brass, Tri-Metal
Coupling Nut Plating Specification	100 µin minimum	2 µm minimum
Hex Size	5/16 inch	32 mm
Torque	3 in-lbs [0.34 Nm]	18.417 ft-lbs [24.97 Nm]

Environmental Specifications

Temperature

Operating Range -40 to +85 deg C

Compliance Certifications (see [product page](#) for current document)

Plotted and Other Data

Notes:

Click the following link (or enter part number in "SEARCH" on website) to obtain additional part information including price, inventory and certifications: [Fire Rated SMA Male Right Angle to 7/16 DIN Male Low Loss Cable Using LMR-195-FR Coax PE3W09756](#)



Fire Rated SMA Male Right Angle to 7/16 DIN Male
Low Loss Cable Using LMR-195-FR Coax

RF Cable Assemblies Technical Data Sheet

PE3W09756

How to Order

Part Number Configuration:

PE3W09756

- **xx**

uu

Unit of Measure:
cm = Centimeters
<blank> = Inches
Length
Base Number

Example: PE3W09756-12 = 12 inches long cable
PE3W09756-100cm = 100 cm long cable

Fire Rated SMA Male Right Angle to 7/16 DIN Male Low Loss Cable Using LMR-195-FR Coax from Pasternack Enterprises has same day shipment for domestic and International orders. Our RF, microwave and millimeter wave products maintain a 99.4% availability and are part of the broadest selection in the industry.

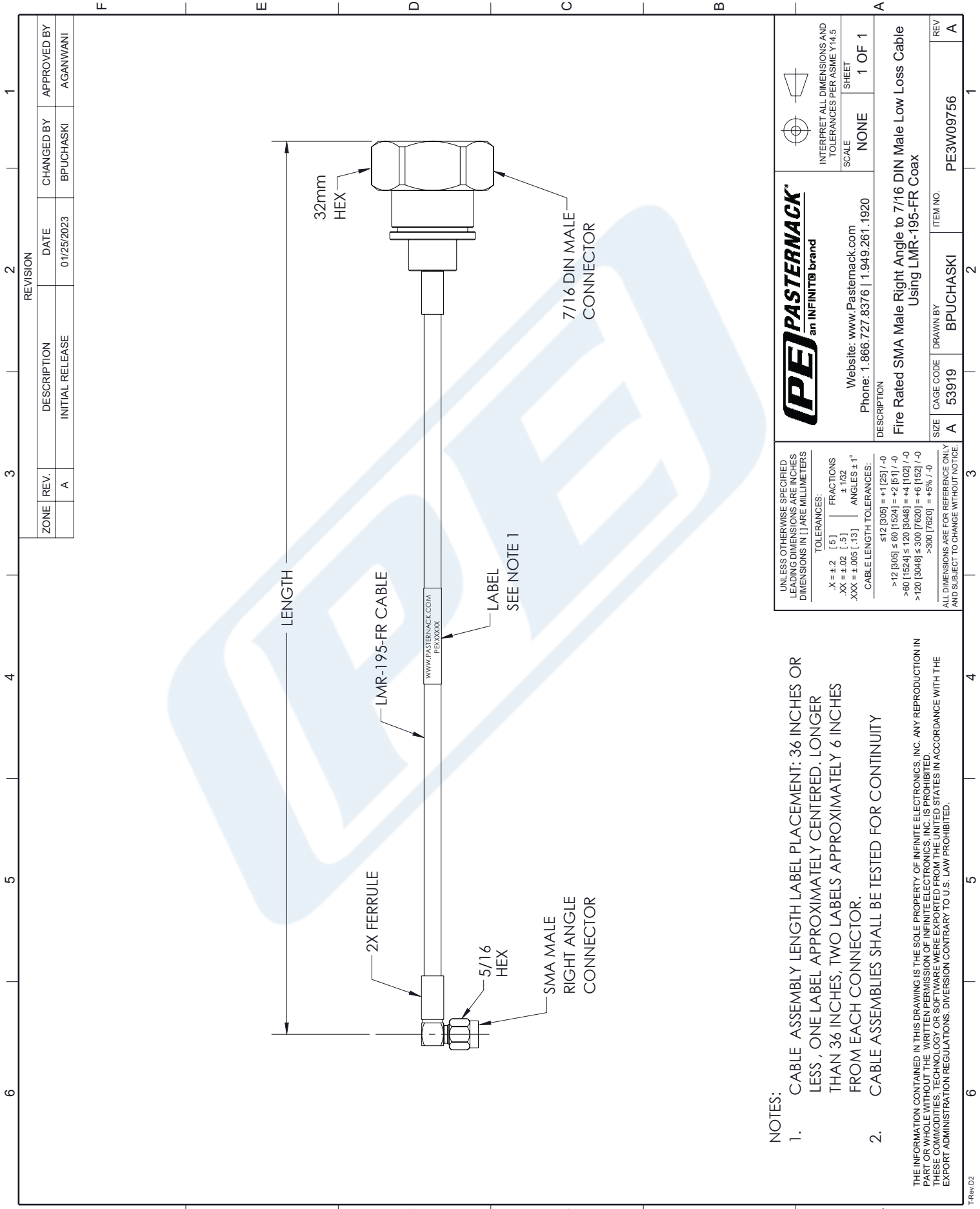
Click the following link (or enter part number in "SEARCH" on website) to obtain additional part information including price, inventory and certifications: [Fire Rated SMA Male Right Angle to 7/16 DIN Male Low Loss Cable Using LMR-195-FR Coax PE3W09756](https://www.pasternack.com/fire-rated-sma-male-right-angle-to-7-16-din-male-low-loss-cable-using-lmr-195-fr-pe3w09756)

URL: <https://www.pasternack.com/fire-rated-sma-male-right-angle-to-7-16-din-male-low-loss-cable-using-lmr-195-fr-pe3w09756-p.aspx>

The information contained in this document is accurate to the best of our knowledge and representative of the part described herein. It may be necessary to make modifications to the part and/or the documentation of the part, in order to implement improvements. Pasternack reserves the right to make such changes as required. Unless otherwise stated, all specifications are nominal. Pasternack does not make any representation or warranty regarding the suitability of the part described herein for any particular purpose, and Pasternack does not assume any liability arising out of the use of any part or documentation.

PE3W09756 CAD Drawing

Fire Rated SMA Male Right Angle to 7/16 DIN Male Low Loss Cable Using LMR-195-FR Coax



NOTES:

1. CABLE ASSEMBLY LENGTH LABEL PLACEMENT: 36 INCHES OR LESS, ONE LABEL APPROXIMATELY CENTERED. LONGER THAN 36 INCHES, TWO LABELS APPROXIMATELY 6 INCHES FROM EACH CONNECTOR.
 2. CABLE ASSEMBLIES SHALL BE TESTED FOR CONTINUITY
- THE INFORMATION CONTAINED IN THIS DRAWING IS THE SOLE PROPERTY OF INFINITE ELECTRONICS, INC. ANY REPRODUCTION IN PART OR WHOLE WITHOUT THE WRITTEN PERMISSION OF INFINITE ELECTRONICS, INC. IS PROHIBITED. THESE COMMODITIES, TECHNOLOGY OR SOFTWARE WERE EXPORTED FROM THE UNITED STATES IN ACCORDANCE WITH THE EXPORT ADMINISTRATION REGULATIONS. DIVERSION CONTRARY TO U.S. LAW PROHIBITED.

UNLESS OTHERWISE SPECIFIED LEADING DIMENSIONS ARE INCHES DIMENSIONS IN [] ARE MILLIMETERS	
TOLERANCES:	
.X = ±.2 [.5]	FRACTIONS ± 1/32
.XX = ±.02 [.5]	ANGLES ± 1°
.XXX = ±.005 [.13]	CABLE LENGTH TOLERANCES:
	≤ 12 [305] = ± 1 [25] / -0
	> 12 [305] ≤ 60 [1524] = ± 2 [51] / -0
	> 60 [1524] ≤ 120 [3048] = ± 4 [102] / -0
	> 120 [3048] ≤ 300 [7620] = ± 6 [152] / -0
	> 300 [7620] = ± 5% / -0
ALL DIMENSIONS ARE FOR REFERENCE ONLY AND SUBJECT TO CHANGE WITHOUT NOTICE.	

PE PASTERNAK an INFINITO brand	
Website: www.Pasternack.com Phone: 1.866.727.8376 1.949.261.1920	
DESCRIPTION Fire Rated SMA Male Right Angle to 7/16 DIN Male Low Loss Cable Using LMR-195-FR Coax	
SCALE NONE	SHEET 1 OF 1
INTERPRET ALL DIMENSIONS AND TOLERANCES PER ASME Y14.5	
SIZE A	ITEM NO. PE3W09756
CAGE CODE 53919	DRAWN BY BPUCHASKI