



BNC Female Bulkhead to TNC Male Low Loss Cable Using PE-P195 Coax with HeatShrink

RF Cable Assemblies Technical Data Sheet

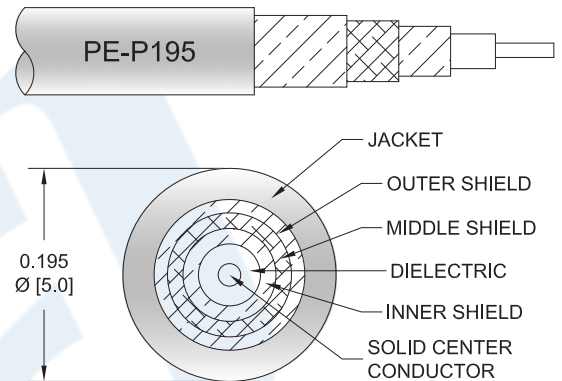
PE3W10143/HS

Configuration

- Connector 1: BNC Female Bulkhead
- Connector 2: TNC Male
- Cable Type: PE-P195

Features

- 70% Phase Velocity
- Triple Shielded
- FEP Jacket



Applications

- General Purpose
- Laboratory Use

Description

Pasternack's PE3W10143/HS BNC female bulkhead to TNC male cable using PE-P195 coax is part of our full line of RF components available for same-day shipping. Pasternack's flexible RF cable assemblies are ideal for applications where tight bends and flexure are required. This Pasternack BNC to TNC cable assembly has a female to male gender configuration with 50 ohm flexible PE-P195 coax. Our RF cable assembly with BNC bulkhead interface allows designers to create external connections on their product enclosures, and can be used in a variety of other rack mount and panel mount applications. The triple shielding of this Pasternack cable assembly provides excellent shielding effectiveness.

Custom versions of most RF cable assemblies can be built and shipped same day. Custom cable assembly lengths can be obtained by specifying the desired length on the web site at time of order or by contacting a sales representative. Other available RF cable assembly value added services include connector orientation or clocking, heat shrink booting and custom labeling. RF testing can also be performed to document the electrical performance of your cable assembly.

Electrical Specifications

Description	Minimum	Typical	Maximum	Units
Velocity of Propagation		70		%
Capacitance		29 [95.14]		pF/ft [pF/m]

Mechanical Specifications

Cable Assembly

Weight

0.112 lbs [50.8 g]

Click the following link (or enter part number in "SEARCH" on website) to obtain additional part information including price, inventory and certifications: [BNC Female Bulkhead to TNC Male Low Loss Cable Using PE-P195 Coax with HeatShrink PE3W10143/HS](#)



BNC Female Bulkhead to TNC Male Low Loss
Cable Using PE-P195 Coax with HeatShrink

RF Cable Assemblies Technical Data Sheet

PE3W10143/HS

Cable

Cable Type	PE-P195
Impedance	50 Ohms
Inner Conductor Type	Solid
Inner Conductor Material and Plating	Copper Clad Steel, Silver
Dielectric Type	PTFE
Number of Shields	3
Shield Layer 1	Silver Plated Copper Braid
Shield Layer 2	Aluminum Tape
Shield Layer 3	Silver Plated Copper Braid
Jacket Material	FEP, Tan
Jacket Diameter	0.195 in [4.95 mm]
Repeated Minimum Bend Radius	1 in [25.4 mm]

Connectors

Description	Connector 1	Connector 2
Type	BNC Female Bulkhead	TNC Male
Impedance	50 Ohms	50 Ohms
Contact Material and Plating		Brass, Gold
Contact Plating Specification		30 µin minimum
Dielectric Type		PTFE
Body Material and Plating	Brass, Nickel	Brass, Nickel
Body Plating Specification		100 µin minimum
Coupling Nut Material and Plating		Brass, Nickel
Coupling Nut Plating Specification		100 µin minimum

Compliance Certifications (see [product page](#) for current document)

Plotted and Other Data

Notes:

Click the following link (or enter part number in "SEARCH" on website) to obtain additional part information including price, inventory and certifications: [BNC Female Bulkhead to TNC Male Low Loss Cable Using PE-P195 Coax with HeatShrink PE3W10143/HS](#)



BNC Female Bulkhead to TNC Male Low Loss Cable Using PE-P195 Coax with HeatShrink

RF Cable Assemblies Technical Data Sheet

PE3W10143/HS

How to Order

Part Number Configuration:

PE3W10143/HS - xx uu

Unit of Measure:
cm = Centimeters
<blank> = Inches
Length
Base Number

Example: PE3W10143/HS-12 = 12 inches long cable
PE3W10143/HS-100cm = 100 cm long cable

BNC Female Bulkhead to TNC Male Low Loss Cable Using PE-P195 Coax with HeatShrink from Pasternack Enterprises has same day shipment for domestic and International orders. Our RF, microwave and millimeter wave products maintain a 99.4% availability and are part of the broadest selection in the industry.

Click the following link (or enter part number in "SEARCH" on website) to obtain additional part information including price, inventory and certifications: [BNC Female Bulkhead to TNC Male Low Loss Cable Using PE-P195 Coax with HeatShrink PE3W10143/HS](https://www.pasternack.com/bnc-female-bulkhead-to-tnc-male-low-loss-cable-using-pe-p195-coax-with-heatshrink-pe3w10143/hs)

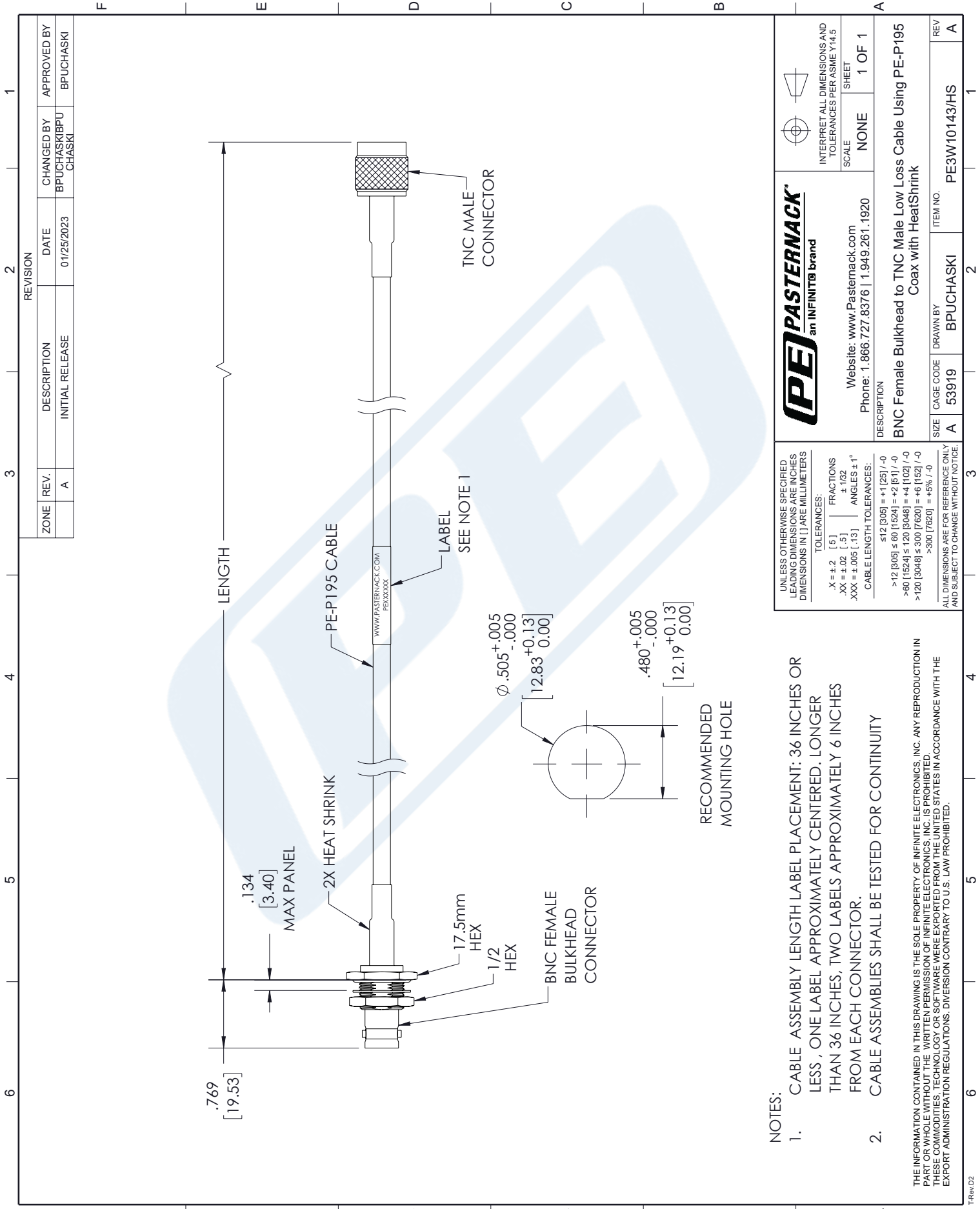
URL: <https://www.pasternack.com/bnc-female-bulkhead-to-tnc-male-low-loss-cable-using-pe-p195-with-heatshrink-pe3w10143-hs-p.aspx>

The information contained in this document is accurate to the best of our knowledge and representative of the part described herein. It may be necessary to make modifications to the part and/or the documentation of the part, in order to implement improvements. Pasternack reserves the right to make such changes as required. Unless otherwise stated, all specifications are nominal. Pasternack does not make any representation or warranty regarding the suitability of the part described herein for any particular purpose, and Pasternack does not assume any liability arising out of the use of any part or documentation.

PE3W10143/HS CAD Drawing

BNC Female Bulkhead to TNC Male Low Loss Cable

Using PE-P195 Coax with HeatShrink



NOTES:

1. CABLE ASSEMBLY LABEL PLACEMENT: 36 INCHES OR LESS, ONE LABEL APPROXIMATELY CENTERED. LONGER THAN 36 INCHES, TWO LABELS APPROXIMATELY 6 INCHES FROM EACH CONNECTOR.
2. CABLE ASSEMBLIES SHALL BE TESTED FOR CONTINUITY

THE INFORMATION CONTAINED IN THIS DRAWING IS THE SOLE PROPERTY OF INFINITE ELECTRONICS, INC. ANY REPRODUCTION IN PART OR WHOLE WITHOUT THE WRITTEN PERMISSION OF INFINITE ELECTRONICS, INC. IS PROHIBITED. THESE COMMODITIES, TECHNOLOGY OR SOFTWARE WERE EXPORTED FROM THE UNITED STATES IN ACCORDANCE WITH THE EXPORT ADMINISTRATION REGULATIONS. DIVERSION CONTRARY TO U.S. LAW PROHIBITED.

 PASTERNAK an INFINITO brand		 INTERPRET ALL DIMENSIONS AND TOLERANCES PER ASME Y14.5
Website: www.Pasternack.com Phone: 1.866.727.8376 1.949.261.1920		SCALE: NONE SHEET: 1 OF 1
DESCRIPTION: BNC Female Bulkhead to TNC Male Low Loss Cable Using PE-P195 Coax with HeatShrink		
SIZE: A CAGE CODE: 53919 DRAWN BY: BPUCHASKI ITEM NO.: PE3W10143/HS	REV: A	SHEET: 1 OF 1

UNLESS OTHERWISE SPECIFIED LEADING DIMENSIONS ARE INCHES DIMENSIONS IN [] ARE MILLIMETERS

TOLERANCES:
 X = ±.2 [5] FRACTIONS
 .XX = ±.02 [.5] ±.1/32
 .XXX = ±.005 [.13] ANGLES ± 1°

CABLE LENGTH TOLERANCES:
 ≤ 12 [305] = +.1 [25] / -0
 > 12 [305] ≤ 60 [1524] = +.2 [5] / -0
 > 60 [1524] ≤ 120 [3048] = +.4 [102] / -0
 > 120 [3048] ≤ 300 [7620] = +.6 [152] / -0
 > 300 [7620] = +.5% / -0

ALL DIMENSIONS ARE FOR REFERENCE ONLY AND SUBJECT TO CHANGE WITHOUT NOTICE.