



BNC Female Bulkhead to SMA Male Right Angle Cable Using RG58 Coax

RF Cable Assemblies Technical Data Sheet

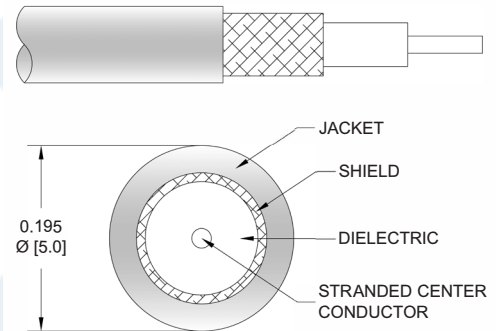
PE3W10389

Configuration

- Connector 1: BNC Female Bulkhead
- Connector 2: SMA Male Right Angle
- Cable Type: RG58

Features

- Max Frequency 2 GHz
- 65.9% Phase Velocity
- PVC (NC) Jacket



Applications

- General Purpose
- Laboratory Use

Description

Pasternack's PE3W10389 BNC female bulkhead to SMA male right angle cable using RG58 coax is part of our full line of RF components available for same-day shipping. Pasternack's flexible RF cable assemblies are ideal for applications where tight bends and flexure are required. This Pasternack BNC to SMA cable assembly has a female to male gender configuration with 50 ohm flexible RG58 coax. The PE3W10389 BNC female to SMA male cable assembly operates to 2 GHz. The right angle SMA interface on the RG58 cable allows for easier connections in tight spaces. Our RF cable assembly with BNC bulkhead interface allows designers to create external connections on their product enclosures, and can be used in a variety of other rack mount and panel mount applications.

Custom versions of most RF cable assemblies can be built and shipped same day. Custom cable assembly lengths can be obtained by specifying the desired length on the web site at time of order or by contacting a sales representative. Other available RF cable assembly value added services include connector orientation or clocking, heat shrink booting and custom labeling. RF testing can also be performed to document the electrical performance of your cable assembly.

Click the following link (or enter part number in "SEARCH" on website) to obtain additional part information including price, inventory and certifications: [BNC Female Bulkhead to SMA Male Right Angle Cable Using RG58 Coax PE3W10389](#)



BNC Female Bulkhead to SMA Male Right Angle Cable Using RG58 Coax

RF Cable Assemblies Technical Data Sheet

PE3W10389

Electrical Specifications

Description	Minimum	Typical	Maximum	Units
Frequency Range	DC		2	GHz
VSWR			1.4:1	
Velocity of Propagation		65.9		%
Capacitance		30.8 [101.05]		pF/ft [pF/m]
Operating Voltage (AC)			500	Vrms

Specifications by Frequency

Description	F1	F2	F3	F4	F5	Units
Frequency	0.05	0.1	0.25	0.5	2	GHz
Insertion Loss (Typ.)	0.029	0.049	0.074	0.116	0.3	dB/ft
	0.1	0.16	0.24	0.38	0.98	dB/m

Electrical Specification Notes:

Insertion Loss does not include the loss of the connectors. Insertion Loss is estimated as 0.1 dB for the female connector and 0.2 dB for the male connector.

Mechanical Specifications

Cable Assembly

Weight 0.09 lbs [40.82 g]

Cable

Cable Type RG58
 Impedance 50 Ohms
 Inner Conductor Type Stranded
 Inner Conductor Material and Plating Copper, Tin
 Dielectric Type PE
 Number of Shields 1
 Shield Layer 1 Tinned Copper Braid
 Jacket Material PVC (NC), Black
 Jacket Diameter 0.195 in [4.95 mm]

One Time Minimum Bend Radius 0.98 in [24.89 mm]
 Repeated Minimum Bend Radius 1.96 in [49.78 mm]

Click the following link (or enter part number in "SEARCH" on website) to obtain additional part information including price, inventory and certifications: [BNC Female Bulkhead to SMA Male Right Angle Cable Using RG58 Coax PE3W10389](#)



BNC Female Bulkhead to SMA Male
Right Angle Cable Using RG58 Coax

RF Cable Assemblies Technical Data Sheet

PE3W10389

Connectors

Description	Connector 1	Connector 2
Type	BNC Female Bulkhead	SMA Male Right Angle
Specification	MIL-STD-348A	MIL-STD-348A
Impedance	50 Ohms	50 Ohms
Contact Material and Plating	Brass, Gold	Brass, Gold
Contact Plating Specification	30 µin minimum	50 µin minimum
Dielectric Type	PTFE	PTFE
Body Material and Plating	Brass, Nickel	Brass, Nickel
Body Plating Specification	100 µin minimum	100 µin minimum
Coupling Nut Material and Plating		Brass, Nickel
Coupling Nut Plating Specification		100 µin minimum
Hex Size		5/16 inch
Torque		3 in-lbs [0.34 Nm]

Environmental Specifications

Temperature

Operating Range

-40 to +80 deg C

Compliance Certifications (see [product page](#) for current document)

Plotted and Other Data

Notes:

Click the following link (or enter part number in "SEARCH" on website) to obtain additional part information including price, inventory and certifications: [BNC Female Bulkhead to SMA Male Right Angle Cable Using RG58 Coax PE3W10389](#)



BNC Female Bulkhead to SMA Male
Right Angle Cable Using RG58 Coax

RF Cable Assemblies Technical Data Sheet

PE3W10389

How to Order

Part Number Configuration:

PE3W10389

- **xx**

uu

Unit of Measure:
cm = Centimeters
<blank> = Inches
Length
Base Number

Example: PE3W10389-12 = 12 inches long cable
PE3W10389-100cm = 100 cm long cable

BNC Female Bulkhead to SMA Male Right Angle Cable Using RG58 Coax from Pasternack Enterprises has same day shipment for domestic and International orders. Our RF, microwave and millimeter wave products maintain a 99.4% availability and are part of the broadest selection in the industry.

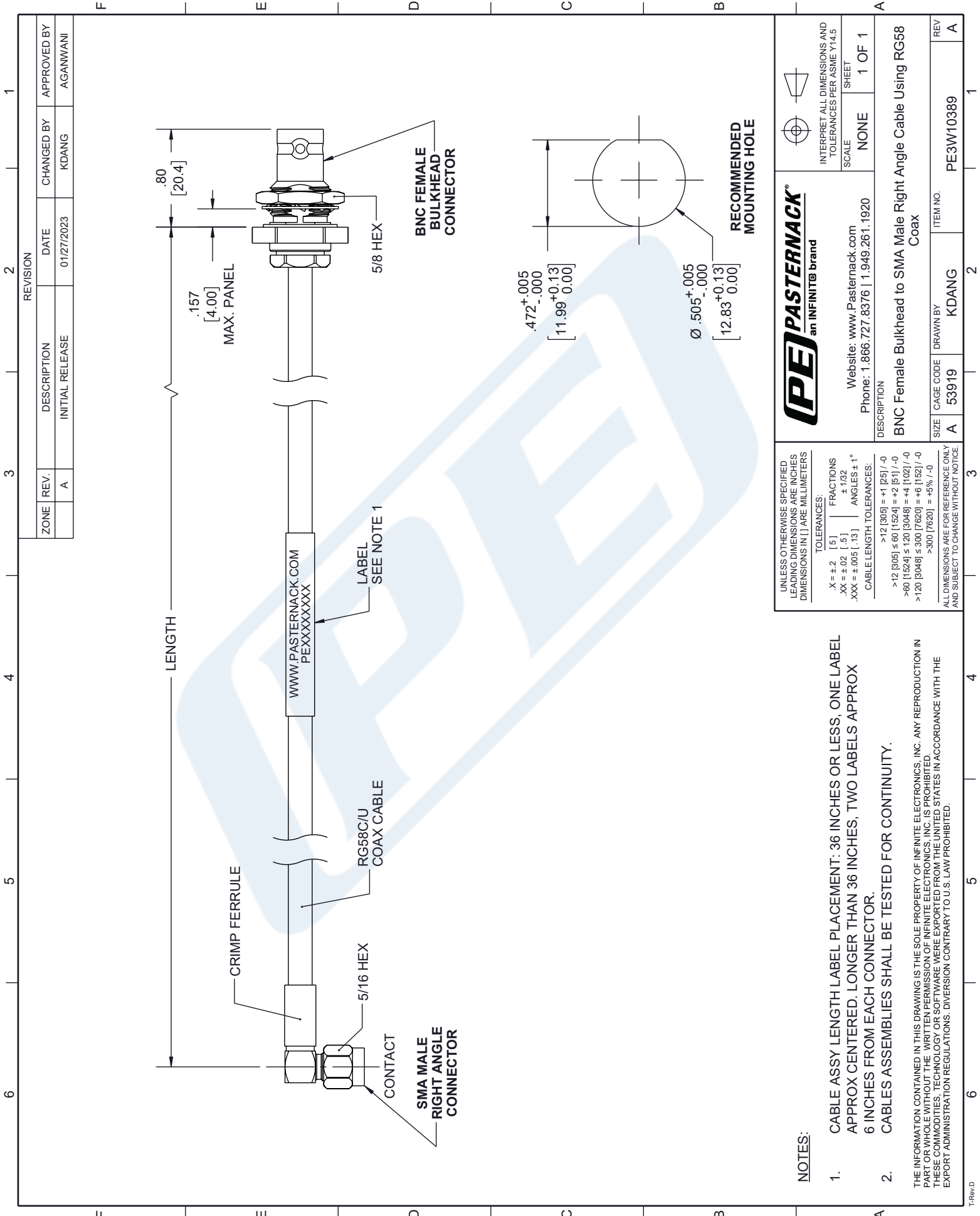
Click the following link (or enter part number in "SEARCH" on website) to obtain additional part information including price, inventory and certifications: [BNC Female Bulkhead to SMA Male Right Angle Cable Using RG58 Coax PE3W10389](https://www.pasternack.com/bnc-female-bulkhead-to-sma-male-right-angle-cable-using-rg58-pe3w10389)

URL: <https://www.pasternack.com/bnc-female-bulkhead-to-sma-male-cable-using-rg58-pe3w10389-p.aspx>

The information contained in this document is accurate to the best of our knowledge and representative of the part described herein. It may be necessary to make modifications to the part and/or the documentation of the part, in order to implement improvements. Pasternack reserves the right to make such changes as required. Unless otherwise stated, all specifications are nominal. Pasternack does not make any representation or warranty regarding the suitability of the part described herein for any particular purpose, and Pasternack does not assume any liability arising out of the use of any part or documentation.

PE3W10389 CAD Drawing

BNC Female Bulkhead to SMA Male Right Angle Cable Using RG58 Coax



ZONE	REV.	DESCRIPTION	DATE	CHANGED BY	APPROVED BY
	A	INITIAL RELEASE	01/27/2023	KDANG	AGANWANI

PE PASTERNAK
an INFINIT® brand

Website: www.Pasternack.com
Phone: 1.866.727.8376 | 1.949.261.1920

INTERPRET ALL DIMENSIONS AND TOLERANCES PER ASME Y14.5
SCALE: NONE SHEET: 1 OF 1

DESCRIPTION: BNC Female Bulkhead to SMA Male Right Angle Cable Using RG58 Coax

SIZE: A CAGE CODE: 53919 DRAWN BY: KDANG ITEM NO.: PE3W10389 REV: A

UNLESS OTHERWISE SPECIFIED LEADING DIMENSIONS ARE INCHES DIMENSIONS IN [] ARE MILLIMETERS

TOLERANCES:
 .X = ±.2 [5] FRACTIONS ±.1/32
 .XX = ±.02 [.5] ANGLES ± 1°
 .XXX = ±.005 [.13]
 CABLE LENGTH TOLERANCES:
 >12 [305] = +1 [25] / -0
 >60 [1524] = +2 [51] / -0
 >120 [3048] = +4 [102] / -0
 >300 [7620] = +6 [152] / -0
 >600 [15240] = +8 [203] / -0

ALL DIMENSIONS ARE FOR REFERENCE ONLY AND SUBJECT TO CHANGE WITHOUT NOTICE.

- NOTES:**
- CABLE ASSY LENGTH LABEL PLACEMENT: 36 INCHES OR LESS, ONE LABEL APPROX CENTERED. LONGER THAN 36 INCHES, TWO LABELS APPROX 6 INCHES FROM EACH CONNECTOR.
 - CABLES ASSEMBLIES SHALL BE TESTED FOR CONTINUITY.
- THE INFORMATION CONTAINED IN THIS DRAWING IS THE SOLE PROPERTY OF INFINITE ELECTRONICS, INC. ANY REPRODUCTION IN PART OR WHOLE WITHOUT THE WRITTEN PERMISSION OF INFINITE ELECTRONICS, INC. IS PROHIBITED. THESE COMMODITIES, TECHNOLOGY OR SOFTWARE WERE EXPORTED FROM THE UNITED STATES IN ACCORDANCE WITH THE EXPORT ADMINISTRATION REGULATIONS. DIVERSION CONTRARY TO U.S. LAW PROHIBITED.