

## TNC Male to TNC Male Cable Using LMR-200-FR Coax

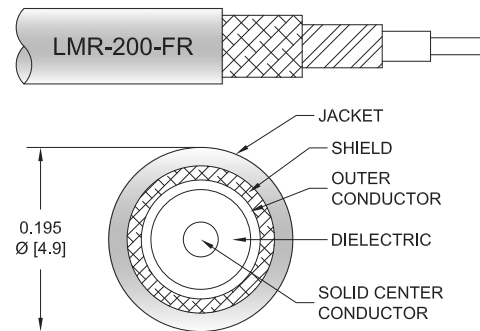
### PE3W11061

#### Configuration

- Connector 1: TNC Male
- Connector 2: TNC Male
- Cable Type: LMR-200-FR
- Coax Flex Type: Flexible

#### Features

- Shielding Effectivity > 90 dB
- 83% Phase Velocity
- Double Shielded
- FRPE Jacket



#### Applications

- General Purpose
- Laboratory Use

#### Description

Pasternack's PE3W11061 TNC male to TNC male cable using LMR-200-FR coax is part of our full line of RF components available for same-day shipping. Pasternack's flexible RF cable assemblies are ideal for applications where tight bends and flexure are required. This Pasternack TNC to TNC cable assembly has a male to male gender configuration with 50 ohm flexible LMR-200-FR coax. The double shielding of this Pasternack cable assembly provides excellent shielding effectiveness of better than 90 dB.

Custom versions of most RF cable assemblies can be built and shipped same day. Custom cable assembly lengths can be obtained by specifying the desired length on the web site at time of order or by contacting a sales representative. Other available RF cable assembly value added services include connector orientation or clocking, heat shrink booting and custom labeling. RF testing can also be performed to document the electrical performance of your cable assembly.

#### Electrical Specifications

Description	Minimum	Typical	Maximum	Units
Velocity of Propagation		83		%
RF Shielding	90			dB
Group Delay		1.22 [4]		ns/ft [ns/m]
Capacitance		24.5 [80.38]		pF/ft [pF/m]
Inductance		0.061 [0.2]		uH/ft [uH/m]
DC Resistance Inner Conductor		5.36 [17.59]		Ohms/1000ft [Ohms/Km]
DC Resistance Outer Conductor		4.9 [16.08]		Ohms/1000ft [Ohms/Km]
Jacket Spark			3,000	Vrms

#### Mechanical Specifications

##### Cable Assembly

Width/Diameter

0.5 in [12.7 mm]

## TNC Male to TNC Male Cable Using LMR-200-FR Coax

### PE3W11061

Weight	0.082 lbs [37.19 g]
<b>Cable</b>	
Cable Type	LMR-200-FR
Impedance	50 Ohms
Inner Conductor Type	Solid
Inner Conductor Material and Plating	Copper
Dielectric Type	PE
Number of Shields	2
Shield Layer 1	Aluminum Tape
Shield Layer 2	Tinned Copper Braid
Jacket Material	FRPE, Black
Jacket Diameter	0.195 in [4.95 mm]
One Time Minimum Bend Radius	0.5 in [12.7 mm]
Repeated Minimum Bend Radius	2 in [50.8 mm]
Bending Moment	2 lbs-ft [2.71 N-m]
Flat Plate Crush	15 lbs/in [0.27 Kg/mm]
Tensile Strength	40 lbs [18.14 Kg]

### Connectors

Description	Connector 1	Connector 2
Type	TNC Male	TNC Male
Impedance	50 Ohms	50 Ohms
Configuration	Straight	Straight
Body Material and Plating	Brass, Nickel	Brass, Nickel

### Environmental Specifications

**Compliance Certifications** (see [product page](#) for current document)

### Plotted and Other Data

Notes:

## TNC Male to TNC Male Cable Using LMR-200-FR Coax

### PE3W11061

#### Typical Performance Data

#### How to Order

Part Number Configuration:

**PE3W11061**

- **xx**

**uu**

Unit of Measure:

cm = Centimeters

<blank> = Inches

Length

Base Number

Example: PE3W11061-12 = 12 inches long cable  
PE3W11061-100cm = 100 cm long cable

TNC Male to TNC Male Cable Using LMR-200-FR Coax from Pasternack Enterprises has same day shipment for domestic and International orders. Our RF, microwave and millimeter wave products maintain a 99.4% availability and are part of the broadest selection in the industry.

Click the following link (or enter part number in "SEARCH" on website) to obtain additional part information including price, inventory and certifications: [TNC Male to TNC Male Cable Using LMR-200-FR Coax PE3W11061](#)

URL: <https://www.pasternack.com/tnc-male-tnc-male-lmr200fr-cable-assembly-pe3w11061-p.aspx>

The information contained within this document is accurate to the best of our knowledge and representative of the part described herein. It may be necessary to make modifications to the part and/or the documentation of the part in order to implement improvements. Pasternack Enterprises reserves the right to make such changes as required. Unless otherwise stated, all specifications are nominal. Pasternack Enterprises does not make any representation or warranty regarding the suitability of the part described herein for any particular purpose, and Pasternack Enterprises does not assume liability arising out of the use of any part or document.

# PE3W11061 CAD Drawing

## TNC Male to TNC Male Cable Using LMR-200-FR Coax

