

Outdoor Rated N Male Right Angle to N Male
Low PIM Cable Using SPO-250 Coax, LF Solder



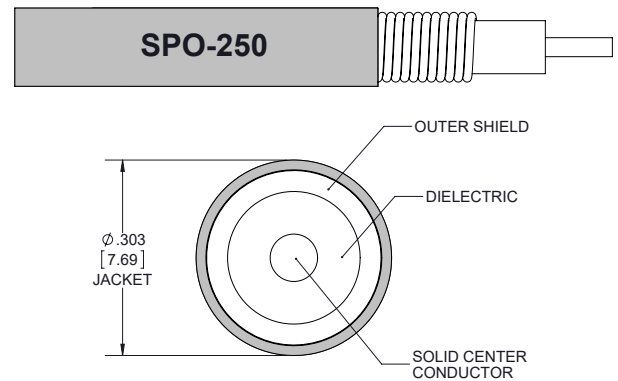
PE3W12315LF

Configuration

- Connector 1: N Male Right Angle
- Connector 2: N Male
- Cable Type: SPO-250
- Coax Flex Type: Corrugated

Features

- Max Frequency 6 GHz
- Low PIM: -160 dBc Max
- 83% Phase Velocity
- PE Jacket



Applications

- General Purpose
- Laboratory Use
- Low PIM Applications

Description

Pasternack's PE3W12315LF type N male right angle to type N male cable using SPO-250 coax is part of our full line of RF components available for same-day shipping. Pasternack's corrugated RF cable assemblies are ideal for applications where durability and high power are needed. This Pasternack type N to type N cable assembly has a male to male gender configuration with 50 ohm corrugated SPO-250 coax. The PE3W12315LF type N male to type N male cable assembly operates to 6 GHz. Our low PIM design also offers excellent passive intermodulation performance with PIM levels better than -160 dBc. The right angle type N interface on the SPO-250 cable allows for easier connections in tight spaces.

Custom versions of most RF cable assemblies can be built and shipped same day. Custom cable assembly lengths can be obtained by specifying the desired length on the web site at time of order or by contacting a sales representative. Other available RF cable assembly value added services include connector orientation or clocking, heat shrink booting and custom labeling. RF testing can also be performed to document the electrical performance of your cable assembly.

Electrical Specifications

Description	Minimum	Typical	Maximum	Units
Frequency Range	DC		6	GHz
VSWR			1.4:1	
Velocity of Propagation		83		%
Passive Intermodulation IM3 (2x43dBm Tones) at 850 MHz or 1900 MHz			-160	dBc
Capacitance		24 [78.74]		pF/ft [pF/m]
Inductance		0.054 [0.18]		uH/ft [uH/m]

Specifications by Frequency

Outdoor Rated N Male Right Angle to N Male
Low PIM Cable Using SPO-250 Coax, LF Solder



PE3W12315LF

Part Number	Length	Description	F1	F2	F3	F4	Units	Weight (lbs)
			Frequency	500	1000	2500	6000	
PE3W12315LF	Custom Lengths Available	Insertion Loss (Typ.)	0.042	0.06	0.103	0.166	dB/ft	
			0.14	0.2	0.34	0.55	dB/m	
PE3W12315LF-12	12 In	Insertion Loss (Typ.)	0.35	0.36	0.41	0.47	dB	0.267
PE3W12315LF-24	24 In	Insertion Loss (Typ.)	0.39	0.42	0.51	0.64	dB	0.315
PE3W12315LF-36	36 In	Insertion Loss (Typ.)	0.43	0.48	0.61	0.8	dB	0.362
PE3W12315LF-60	60 In	Insertion Loss (Typ.)	0.51	0.6	0.82	1.13	dB	0.456
PE3W12315LF-50CM	50 CM	Insertion Loss (Typ.)	0.37	0.4	0.47	0.58	dB	0.298

The insertion loss data for the base model does not include loss due to the connectors. Each length includes insertion loss due to the connectors.

Loss due to Connector 1:	0.2 dB
Loss due to Connector 2:	0.1 dB
Base Weight:	0.267 pounds
Additional Weight per Inch:	0.00392 pounds

Mechanical Specifications

Cable Assembly

Width/Diameter	.5 in [12.7 mm]
Weight	0.267 lbs [121.11 g]

Cable

Cable Type	SPO-250
Impedance	50 Ohms
Inner Conductor Type	Solid
Inner Conductor Material and Plating	Copper Clad Aluminum
Dielectric Type	Foam PE
Number of Shields	1
Outer Conductor 1 Material and Plating	Copper
Jacket Material	PE, Black
Jacket Diameter	0.303 in [7.7 mm]
One Time Minimum Bend Radius	1.25 in [31.75 mm]
Bending Moment	0.5 lbs-ft [0.68 N-m]

Connectors

Description	Connector 1	Connector 2
Type	N Male Right Angle	N Male
Impedance	50 Ohms	50 Ohms
Configuration	Right Angle	Straight
Contact Material and Plating	Brass, Silver	Brass, Silver
Dielectric Type	PTFE	PTFE
Body Material and Plating	Brass, Tri-Metal	Brass, Tri-Metal
Coupling Nut Material and Plating	Brass, Tri-Metal	Brass, Tri-Metal

Outdoor Rated N Male Right Angle to N Male
Low PIM Cable Using SPO-250 Coax, LF Solder



PE3W12315LF

Environmental Specifications

Operating Range Temperature -40 to +85 deg C

Compliance Certifications (see [product page](#) for current document)

Plotted and Other Data

Notes:

Typical Performance Data

How to Order

Part Number Configuration: **PE3W12315LF - xx uu**

_____ Unit of Measure:
 cm = Centimeters
 <blank> = Inches
 _____ Length
 _____ Base Number

Example: PE3W12315LF-12 = 12 inches long cable
 PE3W12315LF-100cm = 100 cm long cable

Outdoor Rated N Male Right Angle to N Male Low PIM Cable Using SPO-250 Coax, LF Solder from Pasternack Enterprises has same day shipment for domestic and International orders. Our RF, microwave and millimeter wave products maintain a 99.4% availability and are part of the broadest selection in the industry.

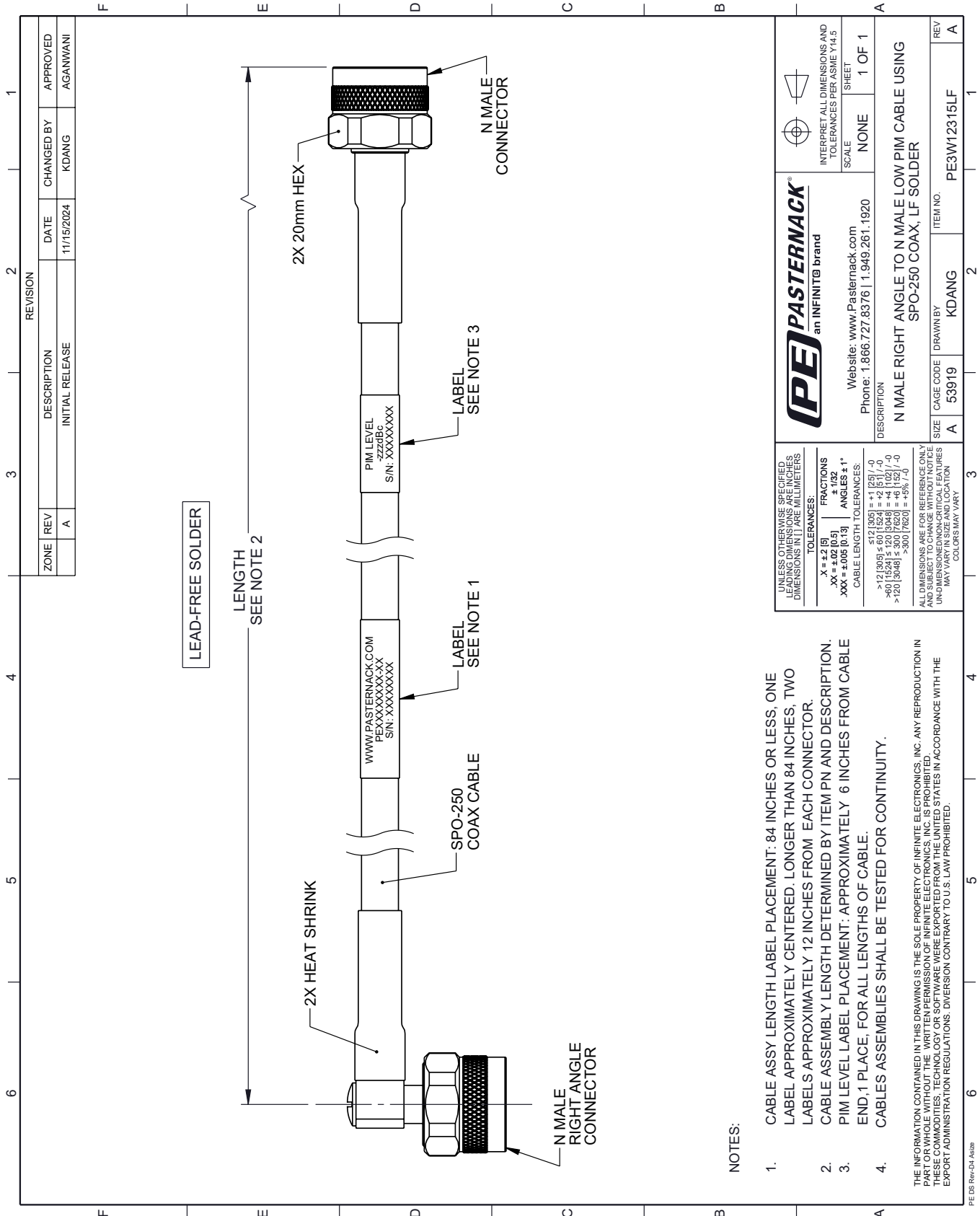
Click the following link (or enter part number in "SEARCH" on website) to obtain additional part information including price, inventory and certifications: [Outdoor Rated N Male Right Angle to N Male Low PIM Cable Using SPO-250 Coax, LF Solder PE3W12315LF](#)

URL: <https://www.pasternack.com/outdoor-rated-n-male-right-angle-to-n-male-low-pim-cable-using-spo-250-lf-solder-pe3w12315lf-p.aspx>

The information contained within this document is accurate to the best of our knowledge and representative of the part described herein. It may be necessary to make modifications to the part and/or the documentation of the part in order to implement improvements. Pasternack Enterprises reserves the right to make such changes as required. Unless otherwise stated, all specifications are nominal. Pasternack Enterprises does not make any representation or warranty regarding the suitability of the part described herein for any particular purpose, and Pasternack Enterprises does not assume liability arising out of the use of any part or document.

PE3W12315LF CAD Drawing

Outdoor Rated N Male Right Angle to N Male Low PIM Cable Using SPO-250 Coax, LF Solder



PE PASTERNAK an INFINITE brand		INTERPRET ALL DIMENSIONS AND TOLERANCES PER ASME Y14.5 SCALE: NONE SHEET: 1 OF 1
Website: www.Pasternack.com Phone: 1.866.727.8376 1.949.261.1920		DESCRIPTION: N MALE RIGHT ANGLE TO N MALE LOW PIM CABLE USING SPO-250 COAX, LF SOLDER
UNLESS OTHERWISE SPECIFIED LEADING DIMENSIONS ARE IN INCHES DIMENSIONS IN [] ARE MILLIMETERS TOLERANCES: .X = ±.2 [5] .XX = ±.02 [0.5] .XXX = ±.005 [0.13] CABLE LENGTH TOLERANCES: <12 [305] ±.60 [1524] = ±.2 [5.1] / -0 >12 [305] ±.60 [1524] = ±.2 [5.1] / -0 >40 [1024] ±.120 [3048] = ±.4 [102.7] / -0 >120 [3048] ±.300 [7620] = ±.9 [229] / -0 ALL DIMENSIONS ARE FOR REFERENCE ONLY UNLESS OTHERWISE SPECIFIED UNDIMENSIONED NON-CRITICAL FEATURES MAY VARY IN SIZE AND LOCATION COLORS MAY VARY	SIZE: A CAGE CODE: 53919 DRAWN BY: KDANG ITEM NO.: PE3W12315LF	REV: A

- NOTES:
- CABLE ASSY LENGTH LABEL PLACEMENT: 84 INCHES OR LESS, ONE LABEL APPROXIMATELY CENTERED. LONGER THAN 84 INCHES, TWO LABELS APPROXIMATELY 12 INCHES FROM EACH CONNECTOR.
 - CABLE ASSEMBLY LENGTH DETERMINED BY ITEM PN AND DESCRIPTION.
 - PIM LEVEL LABEL PLACEMENT: APPROXIMATELY 6 INCHES FROM CABLE END, 1 PLACE, FOR ALL LENGTHS OF CABLE.
 - CABLES ASSEMBLIES SHALL BE TESTED FOR CONTINUITY.
- THE INFORMATION CONTAINED IN THIS DRAWING IS THE SOLE PROPERTY OF INFINITE ELECTRONICS, INC. ANY REPRODUCTION IN PART OR WHOLE WITHOUT THE WRITTEN PERMISSION OF INFINITE ELECTRONICS, INC. IS PROHIBITED. THESE COMMODITIES, TECHNOLOGY OR SOFTWARE WERE EXPORTED FROM THE UNITED STATES IN ACCORDANCE WITH THE EXPORT ADMINISTRATION REGULATIONS. DIVERSION CONTRARY TO U.S. LAW PROHIBITED.