



SSMA Male Right Angle to SSMA Male Right Angle
Cable Using RG188-DS Coax , LF Solder

RF Cable Assemblies Technical Data Sheet

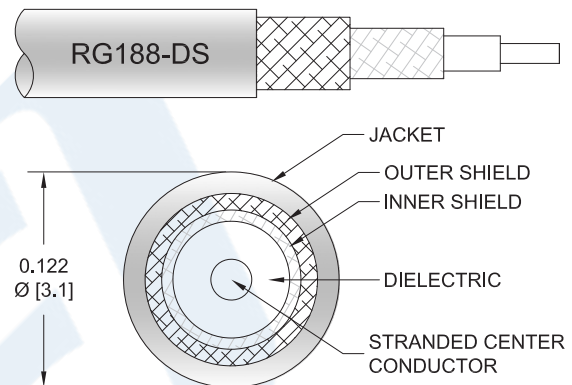
PE3W13256LF

Configuration

- Connector 1: SSMA Male Right Angle
- Connector 2: SSMA Male Right Angle
- Cable Type: RG188-DS

Features

- Double Shielded
- PTFE Jacket



Applications

- General Purpose
- Laboratory Use

Description

Pasternack's PE3W13256LF SSMA male right angle to SSMA male right angle cable using RG188-DS coax is part of our full line of RF components available for same-day shipping. Pasternack's flexible RF cable assemblies are ideal for applications where tight bends and flexure are required. This Pasternack SSMA to SSMA cable assembly has a male to male gender configuration with 50 ohm flexible RG188-DS coax. The right angle SSMA interfaces on the RG188-DS cable allow for easier connections in tight spaces. The double shielding of this Pasternack cable assembly provides excellent shielding effectiveness.

Custom versions of most RF cable assemblies can be built and shipped same day. Custom cable assembly lengths can be obtained by specifying the desired length on the web site at time of order or by contacting a sales representative. Other available RF cable assembly value added services include connector orientation or clocking, heat shrink booting and custom labeling. RF testing can also be performed to document the electrical performance of your cable assembly.

Electrical Specifications

Description	Minimum	Typical	Maximum	Units
Capacitance		32 [104.99]		pF/ft [pF/m]

Mechanical Specifications

Cable Assembly

Weight 0.034 lbs [15.42 g]

Cable

Cable Type RG188-DS

Click the following link (or enter part number in "SEARCH" on website) to obtain additional part information including price, inventory and certifications: [SSMA Male Right Angle to SSMA Male Right Angle Cable Using RG188-DS Coax , LF Solder PE3W13256LF](#)



SSMA Male Right Angle to SSMA Male Right Angle
Cable Using RG188-DS Coax , LF Solder

RF Cable Assemblies Technical Data Sheet

PE3W13256LF

Impedance	50 Ohms
Inner Conductor Type	Stranded
Inner Conductor Material and Plating	Copper Clad Steel, Silver
Dielectric Type	PTFE
Number of Shields	2
Shield Layer 1	Silver Plated Copper Braid
Shield Layer 2	Silver Plated Copper Braid
Jacket Material	PTFE, White
Jacket Diameter	0.118 in [3 mm]

Connectors

Description	Connector 1	Connector 2
Type	SSMA Male Right Angle	SSMA Male Right Angle
Impedance	50 Ohms	50 Ohms
Body Material and Plating	Brass, Nickel	Brass, Nickel

Compliance Certifications (see [product page](#) for current document)

Plotted and Other Data

Notes:

Click the following link (or enter part number in "SEARCH" on website) to obtain additional part information including price, inventory and certifications: [SSMA Male Right Angle to SSMA Male Right Angle Cable Using RG188-DS Coax , LF Solder PE3W13256LF](#)



SSMA Male Right Angle to SSMA Male Right Angle
Cable Using RG188-DS Coax , LF Solder

RF Cable Assemblies Technical Data Sheet

PE3W13256LF

How to Order

Part Number Configuration:

PE3W13256LF - xx uu

Unit of Measure:
cm = Centimeters
<blank> = Inches
Length
Base Number

Example: PE3W13256LF-12 = 12 inches long cable
PE3W13256LF-100cm = 100 cm long cable

SSMA Male Right Angle to SSMA Male Right Angle Cable Using RG188-DS Coax , LF Solder from Pasternack Enterprises has same day shipment for domestic and International orders. Our RF, microwave and millimeter wave products maintain a 99.4% availability and are part of the broadest selection in the industry.

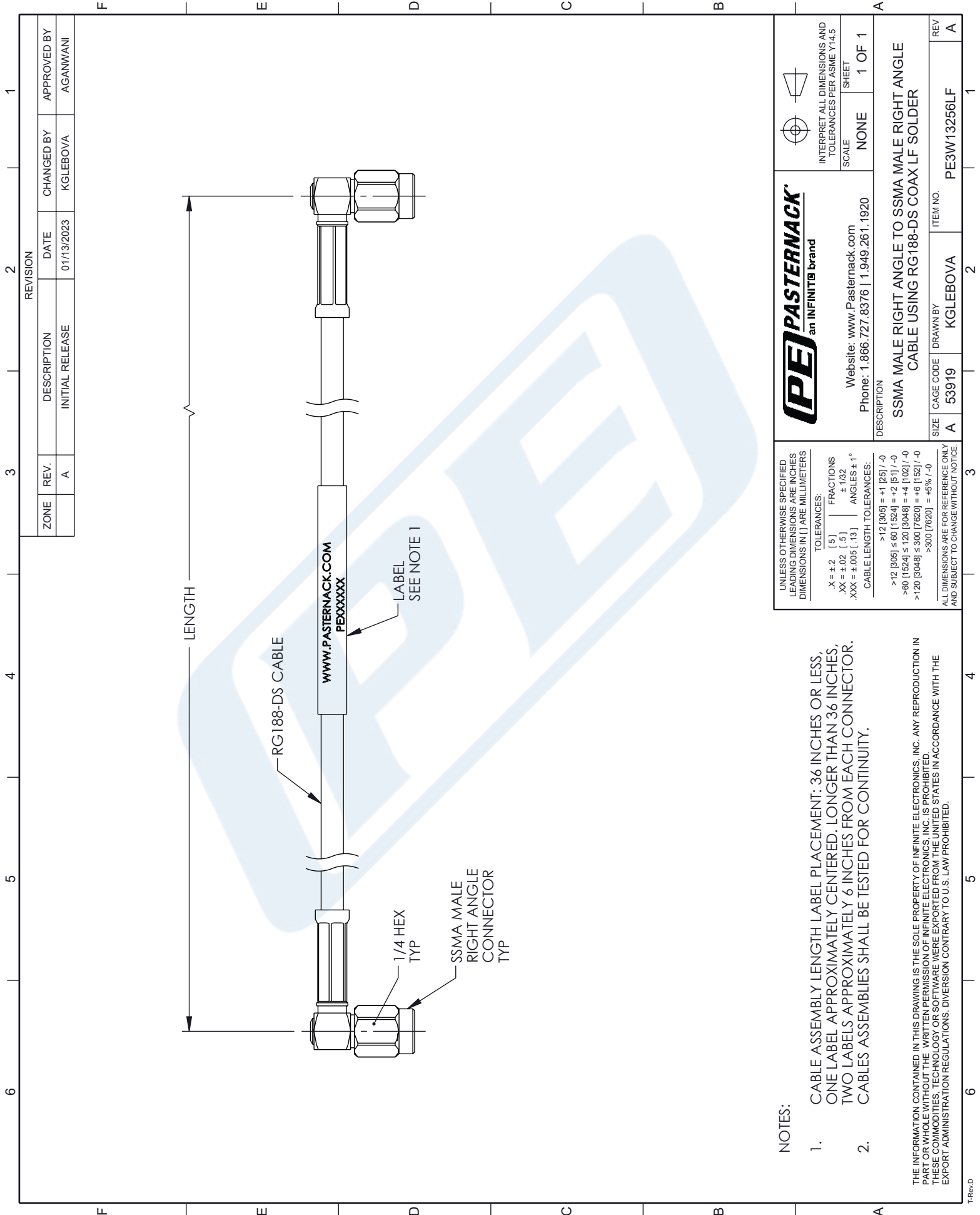
Click the following link (or enter part number in "SEARCH" on website) to obtain additional part information including price, inventory and certifications: [SSMA Male Right Angle to SSMA Male Right Angle Cable Using RG188-DS Coax , LF Solder PE3W13256LF](https://www.pasternack.com/ssma-male-right-angle-to-ssma-male-right-angle-cable-using-rg188-ds-coax-lf-solder-pe3w13256lf-p.aspx)

URL: <https://www.pasternack.com/ssma-male-right-angle-to-ssma-male-cable-using-rg188-ds-lf-solder-pe3w13256lf-p.aspx>

The information contained in this document is accurate to the best of our knowledge and representative of the part described herein. It may be necessary to make modifications to the part and/or the documentation of the part, in order to implement improvements. Pasternack reserves the right to make such changes as required. Unless otherwise stated, all specifications are nominal. Pasternack does not make any representation or warranty regarding the suitability of the part described herein for any particular purpose, and Pasternack does not assume any liability arising out of the use of any part or documentation.

PE3W13256LF CAD Drawing

SSMA Male Right Angle to SSMA Male Right Angle Cable Using RG188-DS Coax , LF Solder



REVISION		DATE	CHANGED BY	APPROVED BY
ZONE	REV.	DESCRIPTION	INITIAL RELEASE	
	A		01/13/2023	AGANWANI

PE PASTERNAK
an INFINITO brand

Website: www.Pasternack.com
Phone: 1.866.727.8376 | 1.949.261.1920

DESCRIPTION
SSMA MALE RIGHT ANGLE TO SSMA MALE RIGHT ANGLE
CABLE USING RG188-DS COAX LF SOLDER

SIZE A CAGE CODE 53919 DRAWN BY KGLEBOVA ITEM NO. PE3W13256LF REV A

INTERPRET ALL DIMENSIONS AND TOLERANCES PER ASME Y14.5

SCALE NONE SHEET 1 OF 1

NOTES:

- CABLE ASSEMBLY LENGTH LABEL PLACEMENT: 36 INCHES OR LESS, ONE LABEL APPROXIMATELY CENTERED. LONGER THAN 36 INCHES, TWO LABELS APPROXIMATELY 6 INCHES FROM EACH CONNECTOR. CABLE ASSEMBLIES SHALL BE TESTED FOR CONTINUITY.

THE INFORMATION CONTAINED IN THIS DRAWING IS THE SOLE PROPERTY OF INFINITE ELECTRONICS, INC. ANY REPRODUCTION IN PART OR WHOLE WITHOUT THE WRITTEN PERMISSION OF INFINITE ELECTRONICS, INC. IS PROHIBITED. THESE COMMODITIES, TECHNOLOGY OR SOFTWARE WERE EXPORTED FROM THE UNITED STATES IN ACCORDANCE WITH THE EXPORT ADMINISTRATION REGULATIONS. DIVERSION CONTRARY TO U.S. LAW PROHIBITED.