



N Male to N Female Low Loss Cable Using LMR-600-UF Coax With Times Microwave Components

RF Cable Assemblies Technical Data Sheet

PE3W13905

Configuration

- Connector 1: N Male
- Connector 2: N Female
- Cable Type: LMR-600-UF

Features

- Max Frequency 5.8 GHz
- Shielding Effectivity > 90 dB
- 87% Phase Velocity
- Double Shielded
- TPE Jacket

Applications

- General Purpose
- Laboratory Use

Description

Pasternack's PE3W13905 type N male to type N female cable using LMR-600-UF coax is part of our full line of RF components available for same-day shipping. Pasternack's flexible RF cable assemblies are ideal for applications where tight bends and flexure are required. This Pasternack type N to type N cable assembly has a male to female gender configuration with 50 ohm flexible LMR-600-UF coax. The PE3W13905 type N male to type N female cable assembly operates to 5.8 GHz. The double shielding of this Pasternack cable assembly provides excellent shielding effectiveness of better than 90 dB.

Custom versions of most RF cable assemblies can be built and shipped same day. Custom cable assembly lengths can be obtained by specifying the desired length on the web site at time of order or by contacting a sales representative. Other available RF cable assembly value added services include connector orientation or clocking, heat shrink booting and custom labeling. RF testing can also be performed to document the electrical performance of your cable assembly.

Click the following link (or enter part number in "SEARCH" on website) to obtain additional part information including price, inventory and certifications: [N Male to N Female Low Loss Cable Using LMR-600-UF Coax With Times Microwave Components PE3W13905](#)



N Male to N Female Low Loss Cable Using LMR-600-UF Coax With Times Microwave Components

RF Cable Assemblies Technical Data Sheet

PE3W13905

Electrical Specifications

Description	Minimum	Typical	Maximum	Units
Frequency Range	DC		5.8	GHz
VSWR			1.4:1	
Velocity of Propagation		87		%
RF Shielding	90			dB
Group Delay		1.17 [3.84]		ns/ft [ns/m]
Capacitance		23.4 [76.77]		pF/ft [pF/m]
Inductance		0.058 [0.19]		uH/ft [uH/m]
DC Resistance Inner Conductor		0.43 [1.41]		Ω /1000ft [Ω /Km]
DC Resistance Outer Conductor		1.2 [3.94]		Ω /1000ft [Ω /Km]
Jacket Spark			8,000	Vrms

Specifications by Frequency

Description	F1	F2	F3	F4	F5	Units
Frequency	0.25	0.5	1	2.5	5.8	GHz
Insertion Loss (Typ.)	0.014	0.022	0.031	0.053	0.087	dB/ft
	0.05	0.07	0.1	0.17	0.29	dB/m

Electrical Specification Notes:

Insertion Loss does not include the loss of the connectors. Insertion Loss is estimated as 0.1 dB per connector.

Mechanical Specifications

Cable Assembly

Weight 0.47 lbs [213.19 g]

Cable

Cable Type LMR-600-UF
 Impedance 50 Ohms
 Inner Conductor Type Stranded
 Inner Conductor Material and Plating Copper
 Dielectric Type Foam PE
 Number of Shields 2
 Shield Layer 1 Aluminum Tape
 Shield Layer 2 Tinned Copper
 Jacket Material TPE, Black
 Jacket Diameter 0.59 in [14.99 mm]

One Time Minimum Bend Radius 1.5 in [38.1 mm]

Click the following link (or enter part number in "SEARCH" on website) to obtain additional part information including price, inventory and certifications: [N Male to N Female Low Loss Cable Using LMR-600-UF Coax With Times Microwave Components PE3W13905](#)



N Male to N Female Low Loss Cable Using LMR-600-UF Coax With Times Microwave Components

RF Cable Assemblies Technical Data Sheet

PE3W13905

Repeated Minimum Bend Radius	6 in [152.4 mm]
Bending Moment	1.75 lbs-ft [2.37 N-m]
Flat Plate Crush	40 lbs/in [0.71 Kg/mm]
Tensile Strength	350 lbs [158.76 Kg]

Connectors

Description	Connector 1	Connector 2
Type	N Male	N Female
Impedance	50 Ohms	50 Ohms
Contact Material and Plating	Brass, Gold	Bronze, Gold
Contact Plating Specification	50µ in. minimum	
Dielectric Type	PTFE	PTFE
Body Material and Plating	Brass, Tri-Metal	Brass, Tri-Metal
Body Plating Specification	100µ in. minimum	
Coupling Nut Material and Plating	Brass, Tri-Metal	
Coupling Nut Plating Specification	100µ in. minimum	
Hex Size	20.57 mm	
Torque	44 in-lbs [4.97 Nm]	

Environmental Specifications

Temperature

Operating Range

-40 to +85 deg C

Shock

MIL-STD-202, Method 213, Condition I

Vibration

MIL-STD-202, Method 204, Condition B

Thermal Shock

MIL-STD-202, Method 107, Condition B

Environmental Specification Notes:

Indoor/Outdoor

Compliance Certifications (see [product page](#) for current document)

Plotted and Other Data

Notes:

Click the following link (or enter part number in "SEARCH" on website) to obtain additional part information including price, inventory and certifications: [N Male to N Female Low Loss Cable Using LMR-600-UF Coax With Times Microwave Components PE3W13905](#)



N Male to N Female Low Loss Cable Using LMR-600-UF Coax With Times Microwave Components

RF Cable Assemblies Technical Data Sheet

PE3W13905

How to Order

Part Number Configuration:

PE3W13905

 - **xx**
uu

Unit of Measure:

cm = Centimeters

<blank> = Inches

Length

Base Number

Example: PE3W13905-12 = 12 inches long cable
 PE3W13905-100cm = 100 cm long cable

N Male to N Female Low Loss Cable Using LMR-600-UF Coax With Times Microwave Components from Pasternack Enterprises has same day shipment for domestic and International orders. Our RF, microwave and millimeter wave products maintain a 99.4% availability and are part of the broadest selection in the industry.

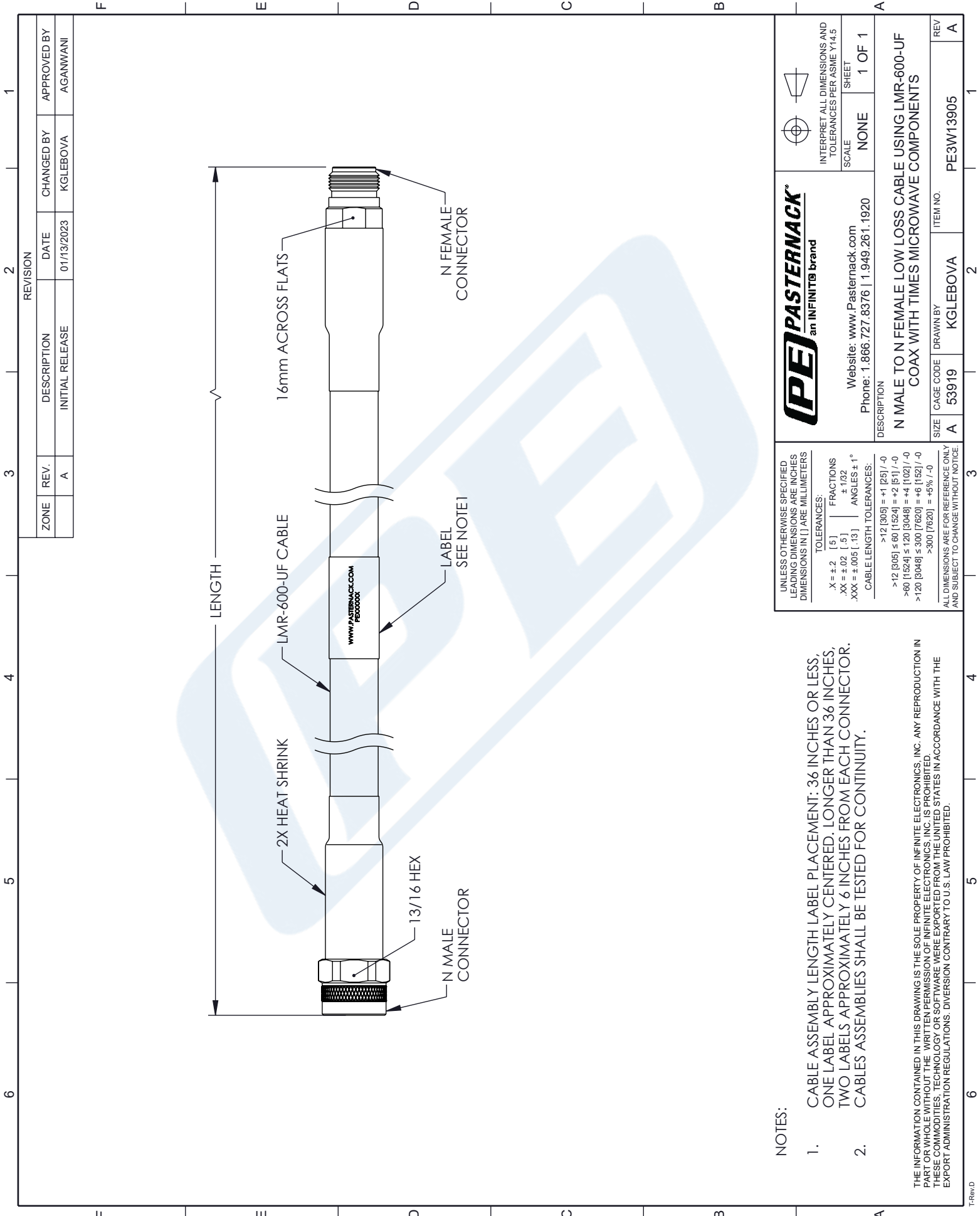
Click the following link (or enter part number in "SEARCH" on website) to obtain additional part information including price, inventory and certifications: [N Male to N Female Low Loss Cable Using LMR-600-UF Coax With Times Microwave Components PE3W13905](#)

URL: <https://www.pasternack.com/n-male-to-n-female-low-loss-cable-using-lmr-600-uf-pe3w13905-p.aspx>

The information contained in this document is accurate to the best of our knowledge and representative of the part described herein. It may be necessary to make modifications to the part and/or the documentation of the part, in order to implement improvements. Pasternack reserves the right to make such changes as required. Unless otherwise stated, all specifications are nominal. Pasternack does not make any representation or warranty regarding the suitability of the part described herein for any particular purpose, and Pasternack does not assume any liability arising out of the use of any part or documentation.

PE3W13905 CAD Drawing

N Male to N Female Low Loss Cable Using LMR-600-UF Coax With Times Microwave Components



ZONE	REV.	DESCRIPTION	DATE	CHANGED BY	APPROVED BY
	A	INITIAL RELEASE	01/13/2023	KGLEBOVA	AGANWANI

PE PASTERNAK
an INFINITO brand

Website: www.Pasternack.com
Phone: 1.866.727.8376 | 1.949.261.1920

INTERPRET ALL DIMENSIONS AND TOLERANCES PER ASME Y14.5

SCALE: NONE SHEET: 1 OF 1

DESCRIPTION:
N MALE TO N FEMALE LOW LOSS CABLE USING LMR-600-UF COAX WITH TIMES MICROWAVE COMPONENTS

ITEM NO.: PE3W13905

CAGE CODE: 53919

DRAWN BY: KGLEBOVA

UNLESS OTHERWISE SPECIFIED LEADING DIMENSIONS ARE INCHES DIMENSIONS IN [] ARE MILLIMETERS

TOLERANCES:
 .X = ±.2 [.5] FRACTIONS ±.1/32
 .XX = ±.02 [.5] ANGLES ± 1°
 .XXX = ±.005 [.13]
 CABLE LENGTH TOLERANCES:
 >12 [305] = +1 [25] / -0
 >60 [1524] ≤ 60 [1524] = +2 [51] / -0
 >120 [3048] ≤ 120 [3048] = +4 [102] / -0
 >300 [7620] ≤ 300 [7620] = +6 [152] / -0
 >300 [7620] = +5% / -0

ALL DIMENSIONS ARE FOR REFERENCE ONLY AND SUBJECT TO CHANGE WITHOUT NOTICE.

NOTES:

- CABLE ASSEMBLY LENGTH LABEL PLACEMENT: 36 INCHES OR LESS, ONE LABEL APPROXIMATELY CENTERED. LONGER THAN 36 INCHES, TWO LABELS APPROXIMATELY 6 INCHES FROM EACH CONNECTOR. CABLE ASSEMBLIES SHALL BE TESTED FOR CONTINUITY.

THE INFORMATION CONTAINED IN THIS DRAWING IS THE SOLE PROPERTY OF INFINITE ELECTRONICS, INC. ANY REPRODUCTION IN PART OR WHOLE WITHOUT THE WRITTEN PERMISSION OF INFINITE ELECTRONICS, INC. IS PROHIBITED. THESE COMMODITIES, TECHNOLOGY OR SOFTWARE WERE EXPORTED FROM THE UNITED STATES IN ACCORDANCE WITH THE EXPORT ADMINISTRATION REGULATIONS. DIVERSION CONTRARY TO U.S. LAW PROHIBITED.