



Reverse Polarity TNC Plug to SMA Female Bulkhead Low Loss Cable Using LMR-195 Coax with HeatShrink

RF Cable Assemblies Technical Data Sheet

PE3W14071/HS

Configuration

- Connector 1: TNC Plug Reverse Polarity
- Connector 2: SMA Female Bulkhead
- Cable Type: LMR-195

Features

- Max Frequency 5.8 GHz
- Shielding Effectivity > 90 dB
- 80% Phase Velocity
- Double Shielded
- PE Jacket

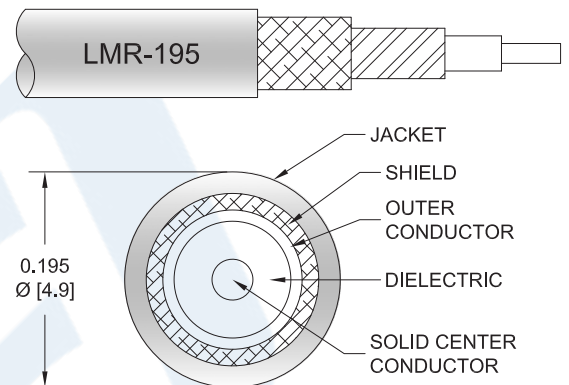
Applications

- General Purpose
- Laboratory Use

Description

Pasternack's PE3W14071/HS reverse polarity TNC plug to SMA female bulkhead cable using LMR-195 coax is part of our full line of RF components available for same-day shipping. Pasternack's flexible RF cable assemblies are ideal for applications where tight bends and flexure are required. This Pasternack reverse polarity TNC to SMA cable assembly has a plug to female gender configuration with 50 ohm flexible LMR-195 coax. The PE3W14071/HS reverse polarity TNC plug to SMA female cable assembly operates to 5.8 GHz. Our RF cable assembly with SMA bulkhead interface allows designers to create external connections on their product enclosures, and can be used in a variety of other rack mount and panel mount applications. The double shielding of this Pasternack cable assembly provides excellent shielding effectiveness of better than 90 dB.

Custom versions of most RF cable assemblies can be built and shipped same day. Custom cable assembly lengths can be obtained by specifying the desired length on the web site at time of order or by contacting a sales representative. Other available RF cable assembly value added services include connector orientation or clocking, heat shrink booting and custom labeling. RF testing can also be performed to document the electrical performance of your cable assembly.



Click the following link (or enter part number in "SEARCH" on website) to obtain additional part information including price, inventory and certifications: [Reverse Polarity TNC Plug to SMA Female Bulkhead Low Loss Cable Using LMR-195 Coax with HeatShrink PE3W14071/HS](#)



Reverse Polarity TNC Plug to SMA Female Bulkhead Low Loss Cable Using LMR-195 Coax with HeatShrink

RF Cable Assemblies Technical Data Sheet

PE3W14071/HS

Electrical Specifications

| Description | Minimum | Typical | Maximum | Units |
|-------------------------------|---------|--------------|---------|-----------------|
| Frequency Range | DC | | 5.8 | GHz |
| Velocity of Propagation | | 80 | | % |
| RF Shielding | 90 | | | dB |
| Group Delay | | 1.27 [4.17] | | ns/ft [ns/m] |
| Capacitance | | 25.4 [83.33] | | pF/ft [pF/m] |
| Inductance | | 0.064 [0.21] | | uH/ft [uH/m] |
| DC Resistance Inner Conductor | | 7.6 [24.93] | | Ω/1000ft [Ω/Km] |
| DC Resistance Outer Conductor | | 4.9 [16.08] | | Ω/1000ft [Ω/Km] |
| Jacket Spark | | | 3,000 | Vrms |

Specifications by Frequency

| Description | F1 | F2 | F3 | F4 | F5 | Units |
|-----------------------|-------|-------|-------|------|-------|-------|
| Frequency | 0.25 | 0.5 | 1 | 2.5 | 5.8 | GHz |
| Insertion Loss (Typ.) | 0.057 | 0.081 | 0.116 | 0.19 | 0.299 | dB/ft |
| | 0.19 | 0.27 | 0.38 | 0.62 | 0.98 | dB/m |

Electrical Specification Notes:

Insertion Loss does not include the loss of the connectors. Insertion Loss is estimated as 0.1 dB per connector.

Mechanical Specifications

Cable Assembly

Weight 0.07 lbs [31.75 g]

Cable

Cable Type LMR-195
 Impedance 50 Ohms
 Inner Conductor Type Solid
 Inner Conductor Material and Plating Copper
 Dielectric Type PE (F)
 Number of Shields 2
 Shield Layer 1 Aluminum Tape
 Shield Layer 2 Tinned Copper Braid
 Jacket Material PE, Black
 Jacket Diameter 0.195 in [4.95 mm]

One Time Minimum Bend Radius 0.5 in [12.7 mm]

Repeated Minimum Bend Radius 2 in [50.8 mm]

Click the following link (or enter part number in "SEARCH" on website) to obtain additional part information including price, inventory and certifications: [Reverse Polarity TNC Plug to SMA Female Bulkhead Low Loss Cable Using LMR-195 Coax with HeatShrink PE3W14071/HS](#)



Reverse Polarity TNC Plug to SMA Female Bulkhead Low Loss Cable Using LMR-195 Coax with HeatShrink

RF Cable Assemblies Technical Data Sheet

PE3W14071/HS

| | |
|------------------|------------------------|
| Bending Moment | 0.2 lbs-ft [0.27 N-m] |
| Flat Plate Crush | 15 lbs/in [0.27 Kg/mm] |
| Tensile Strength | 40 lbs [18.14 Kg] |

Connectors

| Description | Connector 1 | Connector 2 |
|-------------------------------|---------------------------|------------------------|
| Type | TNC Plug Reverse Polarity | SMA Female Bulkhead |
| Impedance | 50 Ohms | 50 Ohms |
| Contact Material and Plating | Brass, Gold | Beryllium Copper, Gold |
| Contact Plating Specification | 30 μinches minimum | 50 μin minimum |
| Dielectric Type | | PTFE |
| Body Material and Plating | Brass, Nickel | Brass, Nickel |
| Body Plating Specification | 100 μinches minimum | 100 μin minimum |

Environmental Specifications

Temperature

Operating Range -40 to +165 deg C

Compliance Certifications (see [product page](#) for current document)

Plotted and Other Data

Notes:

Click the following link (or enter part number in "SEARCH" on website) to obtain additional part information including price, inventory and certifications: [Reverse Polarity TNC Plug to SMA Female Bulkhead Low Loss Cable Using LMR-195 Coax with HeatShrink PE3W14071/HS](#)



Reverse Polarity TNC Plug to SMA Female Bulkhead Low Loss Cable Using LMR-195 Coax with HeatShrink

RF Cable Assemblies Technical Data Sheet

PE3W14071/HS

How to Order

Part Number Configuration:

PE3W14071/HS - xx uu

Unit of Measure:
cm = Centimeters
<blank> = Inches
Length
Base Number

Example: PE3W14071/HS-12 = 12 inches long cable
PE3W14071/HS-100cm = 100 cm long cable

Reverse Polarity TNC Plug to SMA Female Bulkhead Low Loss Cable Using LMR-195 Coax with HeatShrink from Pasternack Enterprises has same day shipment for domestic and International orders. Our RF, microwave and millimeter wave products maintain a 99.4% availability and are part of the broadest selection in the industry.

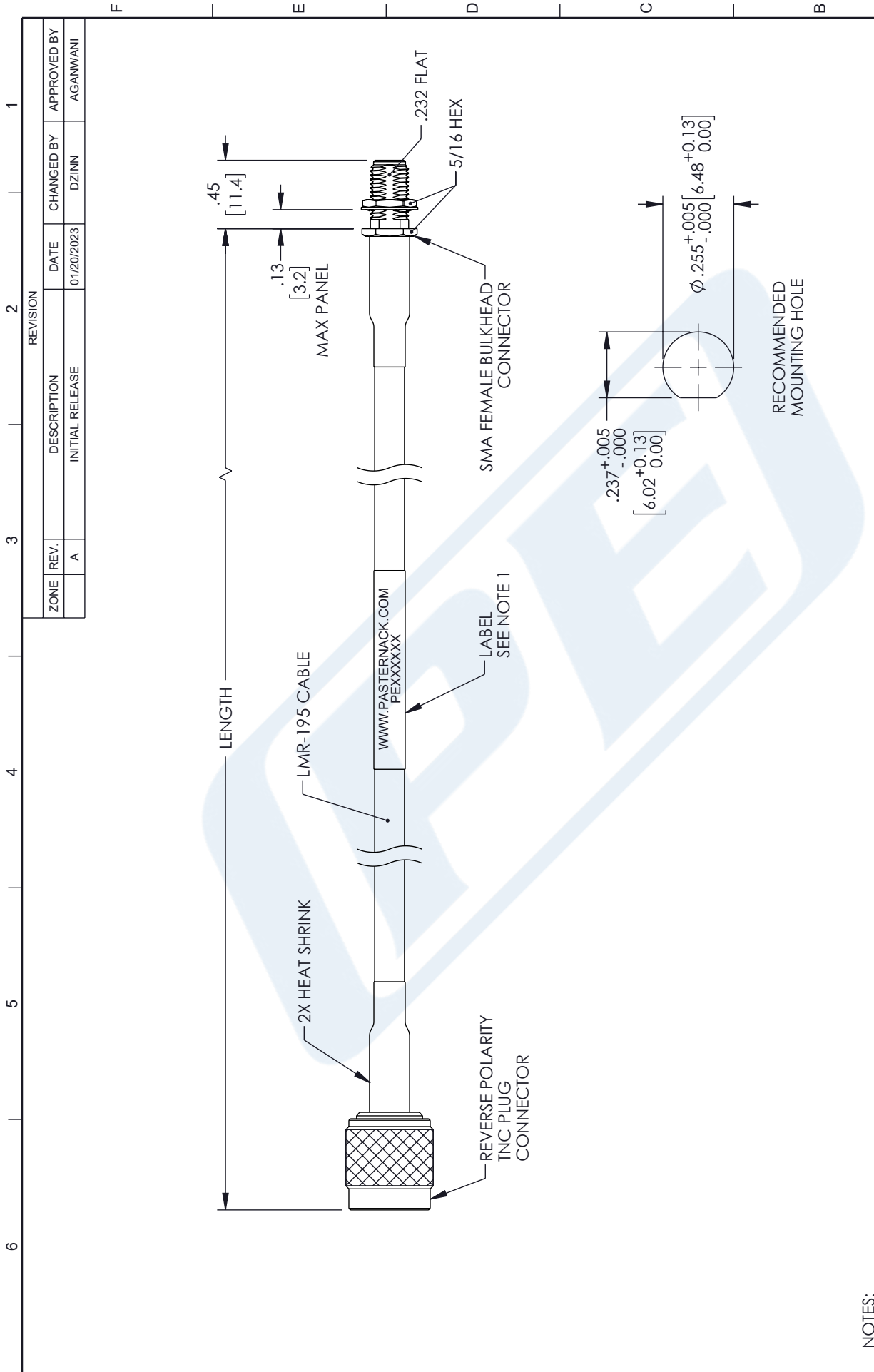
Click the following link (or enter part number in "SEARCH" on website) to obtain additional part information including price, inventory and certifications: [Reverse Polarity TNC Plug to SMA Female Bulkhead Low Loss Cable Using LMR-195 Coax with HeatShrink PE3W14071/HS](https://www.pasternack.com/reverse-polarity-tnc-plug-to-sma-female-bulkhead-low-loss-cable-using-lmr-195-coax-with-heatshrink-pe3w14071-hs)

URL: <https://www.pasternack.com/reverse-polarity-tnc-plug-to-sma-female-bulkhead-low-loss-cable-using-lmr-195-with-heatshrink-pe3w14071-hs-p.aspx>

The information contained in this document is accurate to the best of our knowledge and representative of the part described herein. It may be necessary to make modifications to the part and/or the documentation of the part, in order to implement improvements. Pasternack reserves the right to make such changes as required. Unless otherwise stated, all specifications are nominal. Pasternack does not make any representation or warranty regarding the suitability of the part described herein for any particular purpose, and Pasternack does not assume any liability arising out of the use of any part or documentation.

PE3W14071/HS CAD Drawing

Reverse Polarity TNC Plug to SMA Female Bulkhead Low Loss Cable Using LMR-195 Coax with HeatShrink



| | | | |
|---------------------------------------------------------------------------------------------------------------------------------------------------------------------------------------------------------------------------------------------------------------------------------------------------------------------------------------------------------------------------------------------------------------------------------------------------------------------|------------------|---------------------------------------------------------------------------------------------------------------------------|------------------------|
| | | INTERPRET ALL DIMENSIONS AND TOLERANCES PER ASME Y14.5 SCALE: NONE SHEET: 1 OF 1 | |
| Website: www.Pasternack.com Phone: 1.866.727.8376 1.949.261.1920 | | DESCRIPTION: REVERSE POLARITY TNC PLUG TO SMA FEMALE BULKHEAD LOW LOSS CABLE USING LMR-195 COAX WITH HEATSHRINK | |
| SIZE: A | CAGE CODE: 53919 | DRAWN BY: DZINN | ITEM NO.: PE3W14071-HS |
| UNLESS OTHERWISE SPECIFIED LEADING DIMENSIONS ARE INCHES DIMENSIONS IN [] ARE MILLIMETERS TOLERANCES: .X = ±.2 [5] FRACTIONS ±.1/32 .XX = ±.02 [-.5] ANGLES ± 1° .XXX = ±.005 [-.13] CABLE LENGTH TOLERANCES: >12 [305] = +1 [25] / -0 >60 [1524] = +2 [51] / -0 >120 [3048] = +4 [102] / -0 >240 [6096] = +6 [152] / -0 >300 [7620] = +5% / -0 ALL DIMENSIONS ARE FOR REFERENCE ONLY AND SUBJECT TO CHANGE WITHOUT NOTICE. | | | |

NOTES:

- CABLE ASSEMBLY LENGTH LABEL PLACEMENT: 36 INCHES OR LESS, ONE LABEL APPROXIMATELY CENTERED. LONGER THAN 36 INCHES, TWO LABELS APPROXIMATELY 6 INCHES FROM EACH CONNECTOR.
 - CABLE ASSEMBLIES SHALL BE TESTED FOR CONTINUITY.
- THE INFORMATION CONTAINED IN THIS DRAWING IS THE SOLE PROPERTY OF INFINITE ELECTRONICS, INC. ANY REPRODUCTION IN PART OR WHOLE WITHOUT THE WRITTEN PERMISSION OF INFINITE ELECTRONICS, INC. IS PROHIBITED. THESE COMMODITIES, TECHNOLOGY OR SOFTWARE WERE EXPORTED FROM THE UNITED STATES IN ACCORDANCE WITH THE EXPORT ADMINISTRATION REGULATIONS. DIVERSION CONTRARY TO U.S. LAW PROHIBITED.