

## Fire Rated SMA Male to Reverse Polarity SMA Jack Low Loss Cable Using LMR-195-FR Coax



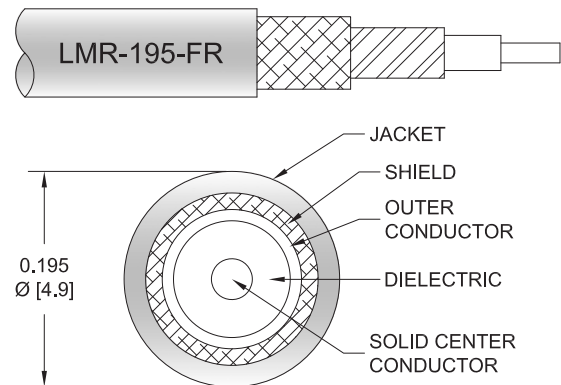
### PE3W15627

#### Configuration

- Connector 1: SMA Male
- Connector 2: SMA Jack Reverse Polarity
- Cable Type: LMR-195-FR
- Coax Flex Type: Flexible

#### Features

- Shielding Effectivity > 90 dB
- 76% Phase Velocity
- Double Shielded
- FRPE Jacket



#### Applications

- General Purpose
- Laboratory Use

#### Description

Pasternack's PE3W15627 SMA male to reverse polarity SMA jack cable using LMR-195-FR coax is part of our full line of RF components available for same-day shipping. Pasternack's flexible RF cable assemblies are ideal for applications where tight bends and flexure are required. This Pasternack SMA to reverse polarity SMA cable assembly has a male to jack gender configuration with 50 ohm flexible LMR-195-FR coax. The double shielding of this Pasternack cable assembly provides excellent shielding effectiveness of better than 90 dB.

Custom versions of most RF cable assemblies can be built and shipped same day. Custom cable assembly lengths can be obtained by specifying the desired length on the web site at time of order or by contacting a sales representative. Other available RF cable assembly value added services include connector orientation or clocking, heat shrink booting and custom labeling. RF testing can also be performed to document the electrical performance of your cable assembly.

#### Electrical Specifications

| Description                   | Minimum | Typical      | Maximum | Units                 |
|-------------------------------|---------|--------------|---------|-----------------------|
| Velocity of Propagation       |         | 76           |         | %                     |
| RF Shielding                  | 90      |              |         | dB                    |
| Group Delay                   |         | 1.27 [4.17]  |         | ns/ft [ns/m]          |
| Capacitance                   |         | 25.4 [83.33] |         | pF/ft [pF/m]          |
| Inductance                    |         | 0.064 [0.21] |         | uH/ft [uH/m]          |
| DC Resistance Inner Conductor |         | 7.6 [24.93]  |         | Ohms/1000ft [Ohms/Km] |
| DC Resistance Outer Conductor |         | 4.9 [16.08]  |         | Ohms/1000ft [Ohms/Km] |
| Jacket Spark                  |         |              | 3,000   | Vrms                  |

#### Mechanical Specifications

##### Cable Assembly

Width/Diameter

0.5 in [12.7 mm]

Fire Rated SMA Male to Reverse Polarity SMA Jack  
Low Loss Cable Using LMR-195-FR Coax



**PE3W15627**

|                                      |                        |
|--------------------------------------|------------------------|
| Weight                               | 0.05 lbs [22.68 g]     |
| <b>Cable</b>                         |                        |
| Cable Type                           | LMR-195-FR             |
| Impedance                            | 50 Ohms                |
| Inner Conductor Type                 | Solid                  |
| Inner Conductor Material and Plating | Copper                 |
| Dielectric Type                      | PE                     |
| Number of Shields                    | 2                      |
| Shield Layer 1                       | Aluminum Tape          |
| Shield Layer 2                       | Tinned Copper Braid    |
| Jacket Material                      | FRPE, Black            |
| Jacket Diameter                      | 0.195 in [4.95 mm]     |
| One Time Minimum Bend Radius         | 0.5 in [12.7 mm]       |
| Repeated Minimum Bend Radius         | 2 in [50.8 mm]         |
| Bending Moment                       | 0.2 lbs-ft [0.27 N-m]  |
| Flat Plate Crush                     | 15 lbs/in [0.27 Kg/mm] |
| Tensile Strength                     | 40 lbs [18.14 Kg]      |

**Connectors**

| Description                        | Connector 1      | Connector 2               |
|------------------------------------|------------------|---------------------------|
| Type                               | SMA Male         | SMA Jack Reverse Polarity |
| Specification                      | MIL-STD-348A     |                           |
| Impedance                          | 50 Ohms          | 50 Ohms                   |
| Configuration                      | Straight         | Straight                  |
| Contact Material and Plating       | Brass, Gold      |                           |
| Contact Plating Specification      | 50 µin minimum   |                           |
| Dielectric Type                    | PTFE             |                           |
| Body Material and Plating          | Brass, Nickel    | Brass, Nickel             |
| Body Plating Specification         | 100 µin minimum  |                           |
| Coupling Nut Material and Plating  | Brass, Nickel    |                           |
| Coupling Nut Plating Specification | 100 µin minimum  |                           |
| Hex Size                           | 5/16 inch        |                           |
| Torque                             | 3 in-lbs 0.34 Nm |                           |

**Environmental Specifications**

**Compliance Certifications** (see [product page](#) for current document)

**Plotted and Other Data**

Notes:

Fire Rated SMA Male to Reverse Polarity SMA Jack  
Low Loss Cable Using LMR-195-FR Coax



**PE3W15627**

**Typical Performance Data**

**How to Order**

Part Number Configuration:

**PE3W15627**

**- xx**

**uu**

Unit of Measure:  
cm = Centimeters  
<blank> = Inches  
Length  
Base Number

Example: PE3W15627-12 = 12 inches long cable  
PE3W15627-100cm = 100 cm long cable

Fire Rated SMA Male to Reverse Polarity SMA Jack Low Loss Cable Using LMR-195-FR Coax from Pasternack Enterprises has same day shipment for domestic and International orders. Our RF, microwave and millimeter wave products maintain a 99.4% availability and are part of the broadest selection in the industry.

Click the following link (or enter part number in "SEARCH" on website) to obtain additional part information including price, inventory and certifications: [Fire Rated SMA Male to Reverse Polarity SMA Jack Low Loss Cable Using LMR-195-FR Coax PE3W15627](#)

URL: <https://www.pasternack.com/fire-rated-sma-male-to-reverse-polarity-sma-jack-low-loss-cable-using-lmr-195-fr-pe3w15627-p.aspx>

The information contained within this document is accurate to the best of our knowledge and representative of the part described herein. It may be necessary to make modifications to the part and/or the documentation of the part in order to implement improvements. Pasternack Enterprises reserves the right to make such changes as required. Unless otherwise stated, all specifications are nominal. Pasternack Enterprises does not make any representation or warranty regarding the suitability of the part described herein for any particular purpose, and Pasternack Enterprises does not assume liability arising out of the use of any part or document.

# PE3W15627 CAD Drawing

Fire Rated SMA Male to Reverse Polarity SMA Jack Low Loss Cable Using LMR-195-FR Coax

