

UHF Male to N Male Cable Using RG58 Coax



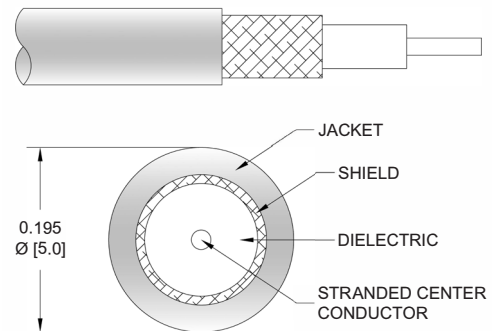
PE3W16161

Configuration

- Connector 1: UHF Male
- Connector 2: N Male
- Cable Type: RG58
- Coax Cable Group: 3
- Coax Flex Type: Flexible

Features

- Max Frequency 300 MHz
- 65.9% Phase Velocity
- PVC (NC) Jacket



Applications

- General Purpose
- Laboratory Use

Description

Pasternack's PE3W16161 UHF male to type N male cable using RG58 coax is part of our full line of RF components available for same-day shipping. Pasternack's flexible RF cable assemblies are ideal for applications where tight bends and flexure are required. This Pasternack UHF to type N cable assembly has a male to male gender configuration with 50 ohm flexible RG58 coax. The PE3W16161 UHF male to type N male cable assembly operates to 300 MHz.

Custom versions of most RF cable assemblies can be built and shipped same day. Custom cable assembly lengths can be obtained by specifying the desired length on the web site at time of order or by contacting a sales representative. Other available RF cable assembly value added services include connector orientation or clocking, heat shrink booting and custom labeling. RF testing can also be performed to document the electrical performance of your cable assembly.

Electrical Specifications

Description	Minimum	Typical	Maximum	Units
Frequency Range	DC		300	MHz
VSWR			1.4:1	
Velocity of Propagation		65.9		%
Capacitance		30.8 [101.05]		pF/ft [pF/m]
Operating Voltage (AC)			500	Vrms

Specifications by Frequency

UHF Male to N Male Cable Using RG58 Coax



PE3W16161

Part Number	Length	Description	F1	F2	F3	F4	Units	Weight (lbs)
			Frequency	50	100	250	300	
PE3W16161	Custom Lengths Available	Insertion Loss (Typ.)	0.03	0.05	0.074	0.083	dB/ft	
			0.1	0.17	0.25	0.28	dB/m	
PE3W16161-12	12 inch	Insertion Loss (Typ.)	0.23	0.25	0.28	0.29	dB	0.138
PE3W16161-24	24 inch	Insertion Loss (Typ.)	0.26	0.3	0.35	0.37	dB	0.162
PE3W16161-36	36 inch	Insertion Loss (Typ.)	0.29	0.35	0.43	0.45	dB	0.186
PE3W16161-48	48 inch	Insertion Loss (Typ.)	0.32	0.4	0.5	0.54	dB	0.21
PE3W16161-200CM	200 cm	Insertion Loss (Typ.)	0.4	0.53	0.69	0.75	dB	0.268

The insertion loss data for the base model does not include loss due to the connectors. Each length includes insertion loss due to the connectors.

Loss due to Connector 1:	0.1 dB
Loss due to Connector 2:	0.1 dB
Base Weight:	0.138 pounds
Additional Weight per Inch:	0.002 pounds

Mechanical Specifications

Cable Assembly

Width/Diameter	0.5 in [12.7 mm]
Weight	0.138 lbs [62.6 g]

Cable

Cable Type	RG58
Impedance	50 Ohms
Inner Conductor Type	Stranded
Inner Conductor Material and Plating	Copper, Tin
Dielectric Type	PE
Number of Shields	1
Shield Layer 1	Tinned Copper Braid
Jacket Material	PVC (NC), Black
Jacket Diameter	0.195 in [4.95 mm]
One Time Minimum Bend Radius	0.98 in [24.89 mm]
Repeated Minimum Bend Radius	1.96 in [49.78 mm]

UHF Male to N Male Cable Using RG58 Coax



PE3W16161

Connectors

Description	Connector 1	Connector 2
Type	UHF Male	N Male
Specification		MIL-STD-348A
Impedance	50 Ohms	50 Ohms
Configuration	Straight	Straight
Contact Material and Plating	Brass, Gold	Brass, Gold
Contact Plating Specification	30 µin minimum	30 µin minimum
Dielectric Type	PTFE	PTFE
Body Material and Plating	Brass, Nickel	Brass, Nickel
Body Plating Specification	100 µin minimum	100 µin minimum
Coupling Nut Material and Plating	Brass, Nickel	Brass, Nickel
Coupling Nut Plating Specification	100 µin minimum	100 µin minimum

Environmental Specifications

Operating Range Temperature -40 to +80 deg C

Compliance Certifications (see [product page](#) for current document)

Plotted and Other Data

Notes:

UHF Male to N Male Cable Using RG58 Coax



PE3W16161

Typical Performance Data

How to Order

Part Number Configuration:

PE3W16161

- **xx**

uu

Unit of Measure:

cm = Centimeters

<blank> = Inches

Length

Base Number

Example: PE3W16161-12 = 12 inches long cable
PE3W16161-100cm = 100 cm long cable

UHF Male to N Male Cable Using RG58 Coax from Pasternack Enterprises has same day shipment for domestic and International orders. Our RF, microwave and millimeter wave products maintain a 99.4% availability and are part of the broadest selection in the industry.

Click the following link (or enter part number in "SEARCH" on website) to obtain additional part information including price, inventory and certifications: [UHF Male to N Male Cable Using RG58 Coax PE3W16161](#)

URL: <https://www.pasternack.com/uhf-male-to-n-male-cable-using-rg58-pe3w16161-p.aspx>

The information contained within this document is accurate to the best of our knowledge and representative of the part described herein. It may be necessary to make modifications to the part and/or the documentation of the part in order to implement improvements. Pasternack Enterprises reserves the right to make such changes as required. Unless otherwise stated, all specifications are nominal. Pasternack Enterprises does not make any representation or warranty regarding the suitability of the part described herein for any particular purpose, and Pasternack Enterprises does not assume liability arising out of the use of any part or document.

PE3W16161 CAD Drawing

UHF Male to N Male Cable Using RG58 Coax

