

Reverse Polarity TNC Plug to Push-On SMP Female Right Angle Low Loss Cable Using PE-C100-LSZH Coax, LF Solder



PE3W16182LF

Configuration

- Connector 1: TNC Plug Reverse Polarity
- Connector 2: Push-On SMP Female Right Angle
- Cable Type: PE-C100-LSZH
- Coax Cable Group: 8
- Coax Flex Type: Flexible

Features

- Max Frequency 3 GHz
- Shielding Effectivity > 90 dB
- 66% Phase Velocity
- Double Shielded
- LSZH Jacket

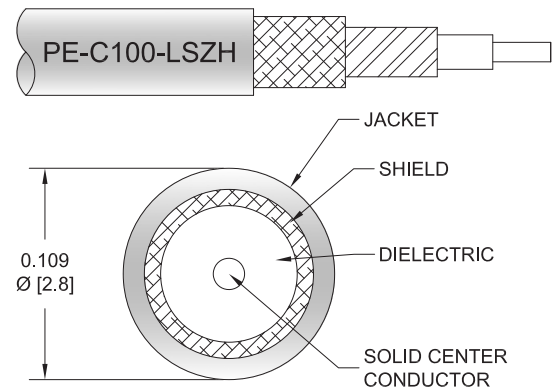
Applications

- General Purpose
- Laboratory Use

Description

Pasternack's PE3W16182LF reverse polarity TNC plug to SMP female push-on right angle cable using PE-C100-LSZH coax is part of our full line of RF components available for same-day shipping. Pasternack's flexible RF cable assemblies are ideal for applications where tight bends and flexure are required. This Pasternack reverse polarity TNC to SMP cable assembly has a plug to female gender configuration with 50 ohm flexible PE-C100-LSZH coax. The PE3W16182LF reverse polarity TNC plug to SMP female cable assembly operates to 3 GHz. The right angle SMP interface on the PE-C100-LSZH cable allows for easier connections in tight spaces. The double shielding of this Pasternack cable assembly provides excellent shielding effectiveness of better than 90 dB.

Custom versions of most RF cable assemblies can be built and shipped same day. Custom cable assembly lengths can be obtained by specifying the desired length on the web site at time of order or by contacting a sales representative. Other available RF cable assembly value added services include connector orientation or clocking, heat shrink booting and custom labeling. RF testing can also be performed to document the electrical performance of your cable assembly.



Electrical Specifications

Description	Minimum	Typical	Maximum	Units
Frequency Range	DC		3	GHz
VSWR			1.4:1	
Velocity of Propagation		66		%
RF Shielding	90			dB
Group Delay		1.62 [5.31]		ns/ft [ns/m]
Capacitance		30.8 [101.05]		pF/ft [pF/m]
Inductance		0.077 [0.25]		uH/ft [uH/m]
DC Resistance Inner Conductor		81 [265.75]		Ohms/1000ft [Ohms/Km]
DC Resistance Outer Conductor		9.5 [31.17]		Ohms/1000ft [Ohms/Km]
Operating Voltage (AC)			350	Vrms

Reverse Polarity TNC Plug to Push-On SMP
Female Right Angle Low Loss Cable Using
PE-C100-LSZH Coax, LF Solder



PE3W16182LF

Electrical Specifications

Description	Minimum	Typical	Maximum	Units
Jacket Spark			2,000	Vrms

Specifications by Frequency

Part Number	Length	Description	F1	F2	F3	F4	F5	Units	Weight (lbs)
		Frequency	100	250	500	1000	3000	MHz	
PE3W16182LF	Custom Lengths Available	Insertion Loss (Typ.)	0.07	0.115	0.166	0.24	0.444	dB/ft	
			0.23	0.38	0.55	0.79	1.46	dB/m	
PE3W16182LF-12	12 inch	Insertion Loss (Typ.)	0.37	0.42	0.47	0.54	0.75	dB	0.055
PE3W16182LF-24	24 inch	Insertion Loss (Typ.)	0.44	0.53	0.64	0.78	1.19	dB	0.066
PE3W16182LF-36	36 inch	Insertion Loss (Typ.)	0.51	0.65	0.8	1.02	1.64	dB	0.076
PE3W16182LF-48	48 inch	Insertion Loss (Typ.)	0.58	0.76	0.97	1.26	2.08	dB	0.086
PE3W16182LF-60	60 inch	Insertion Loss (Typ.)	0.65	0.88	1.13	1.5	2.52	dB	0.096

The insertion loss data for the base model does not include loss due to the connectors. Each length includes insertion loss due to the connectors.

Loss due to Connector 1:	0.2 dB
Loss due to Connector 2:	0.1 dB
Base Weight:	0.055 pounds
Additional Weight per Inch:	0.00084 pounds

Mechanical Specifications

Cable Assembly

Width/Diameter	0.5 in [12.7 mm]
Weight	0.055 lbs [24.95 g]

Cable

Cable Type	PE-C100-LSZH
Impedance	50 Ohms
Inner Conductor Type	Solid
Inner Conductor Material and Plating	Copper Clad Steel
Dielectric Type	PE
Number of Shields	2
Shield Layer 1	Aluminum Tape
Shield Layer 2	Tinned Copper Braid
Jacket Material	LSZH, Black
Jacket Diameter	0.109 in [2.77 mm]
One Time Minimum Bend Radius	0.25 in [6.35 mm]
Repeated Minimum Bend Radius	1 in [25.4 mm]
Bending Moment	0.1 lbs-ft [0.14 N-m]
Flat Plate Crush	10 lbs/in [0.18 Kg/mm]
Tensile Strength	15 lbs [6.8 Kg]

Reverse Polarity TNC Plug to Push-On SMP
Female Right Angle Low Loss Cable Using
PE-C100-LSZH Coax, LF Solder



PE3W16182LF

Connectors

Description	Connector 1	Connector 2
Type	TNC Plug Reverse Polarity	SMP Female Right Angle
Specification	MIL-C-39012	MIL-STD-348A
Impedance	50 Ohms	50 Ohms
Configuration	Straight	Right Angle
Connection Method		Push-On
Contact Material and Plating	Brass, Gold	Beryllium Copper, Gold
Contact Plating Specification	30 μin minimum	30μ in. minimum
Dielectric Type	PTFE	Teflon
Outer Conductor Material and Plating		Beryllium Copper, Gold
Outer Conductor Plating Specification		3μ in. minimum
Body Material and Plating	Brass, Nickel	Brass, Gold
Body Plating Specification	200 μin minimum	3μ in. minimum
Coupling Nut Material and Plating	Brass, Nickel	
Coupling Nut Plating Specification	200 μin minimum	

Environmental Specifications

Operating Range Temperature -40 to +85 deg C

Compliance Certifications (see [product page](#) for current document)

Plotted and Other Data

Notes:

Reverse Polarity TNC Plug to Push-On SMP
Female Right Angle Low Loss Cable Using
PE-C100-LSZH Coax, LF Solder



PE3W16182LF

Typical Performance Data

How to Order

Part Number Configuration:

PE3W16182LF - xx uu



Example: PE3W16182LF-12 = 12 inches long cable
PE3W16182LF-100cm = 100 cm long cable

Reverse Polarity TNC Plug to Push-On SMP Female Right Angle Low Loss Cable Using PE-C100-LSZH Coax, LF Solder from Pasternack Enterprises has same day shipment for domestic and International orders. Our RF, microwave and millimeter wave products maintain a 99.4% availability and are part of the broadest selection in the industry.

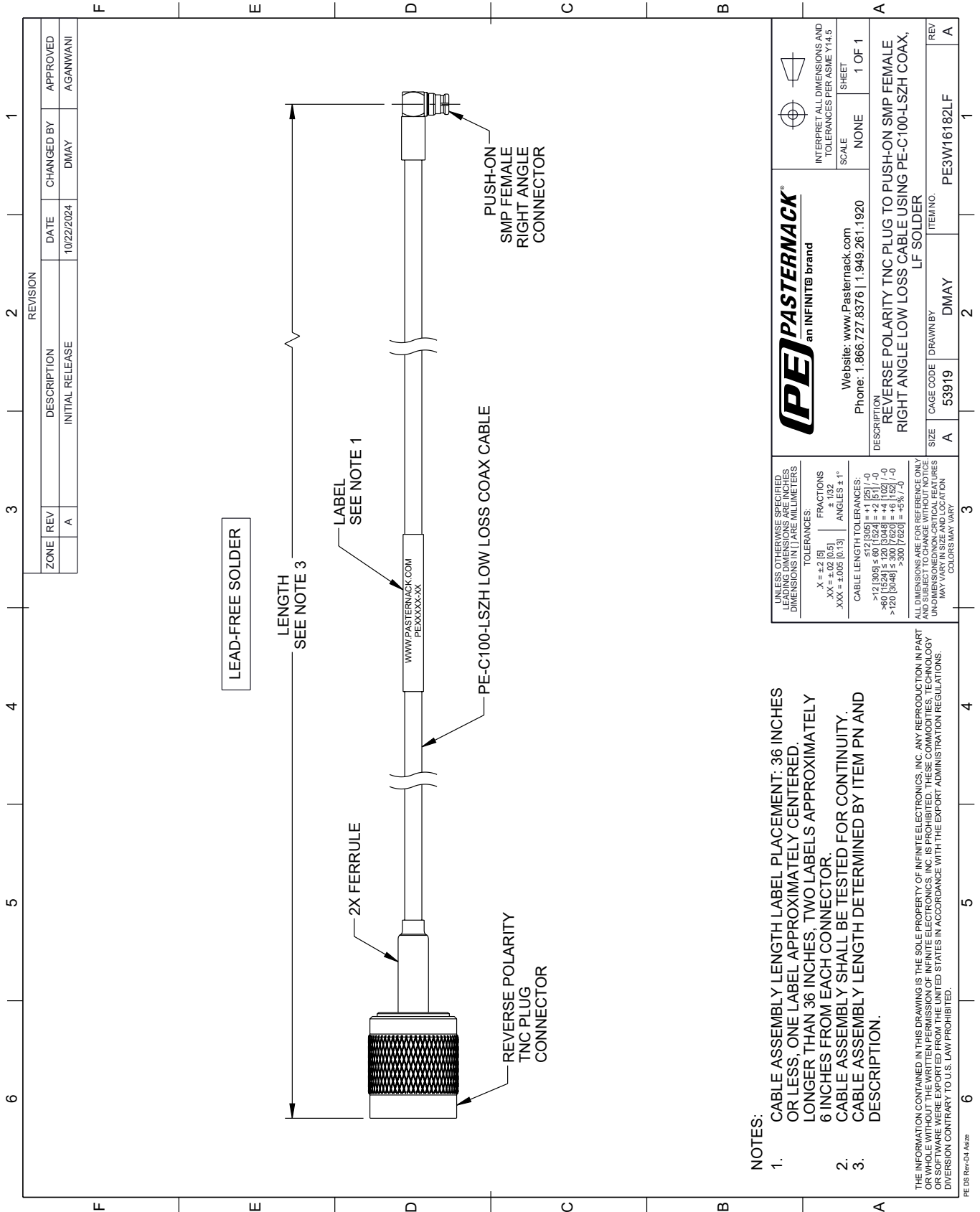
Click the following link (or enter part number in "SEARCH" on website) to obtain additional part information including price, inventory and certifications: [Reverse Polarity TNC Plug to Push-On SMP Female Right Angle Low Loss Cable Using PE-C100-LSZH Coax, LF Solder PE3W16182LF](#)

URL: <https://www.pasternack.com/reverse-polarity-tnc-plug-to-push-on-smp-female-low-loss-cable-using-pe-c100-lszh-lf-solder-pe3w16182lf-p.aspx>

The information contained within this document is accurate to the best of our knowledge and representative of the part described herein. It may be necessary to make modifications to the part and/or the documentation of the part in order to implement improvements. Pasternack Enterprises reserves the right to make such changes as required. Unless otherwise stated, all specifications are nominal. Pasternack Enterprises does not make any representation or warranty regarding the suitability of the part described herein for any particular purpose, and Pasternack Enterprises does not assume liability arising out of the use of any part or document.

PE3W16182LF CAD Drawing

Reverse Polarity TNC Plug to Push-On SMP Female Right Angle Low Loss Cable Using PE-C100-LSZH Coax, LF Solder



NOTES:

- CABLE ASSEMBLY LENGTH LABEL PLACEMENT: 36 INCHES OR LESS, ONE LABEL APPROXIMATELY CENTERED, LONGER THAN 36 INCHES, TWO LABELS APPROXIMATELY 6 INCHES FROM EACH CONNECTOR.
- CABLE ASSEMBLY SHALL BE TESTED FOR CONTINUITY.
- CABLE ASSEMBLY LENGTH DETERMINED BY ITEM PN AND DESCRIPTION.

THE INFORMATION CONTAINED IN THIS DRAWING IS THE SOLE PROPERTY OF INFINITE ELECTRONICS, INC. ANY REPRODUCTION IN PART OR WHOLE WITHOUT THE WRITTEN PERMISSION OF INFINITE ELECTRONICS, INC. IS PROHIBITED. THESE COMMODITIES, TECHNOLOGY OR SOFTWARE WERE EXPORTED FROM THE UNITED STATES IN ACCORDANCE WITH THE EXPORT ADMINISTRATION REGULATIONS. DIVERSION CONTRARY TO U.S. LAW PROHIBITED.

PE DS Rev-D4 Add2

 PASTERNAK an INFINITI® brand		Website: www.Pasternack.com Phone: 1.866.727.8376 1.949.261.1920	INTERPRET ALL DIMENSIONS AND TOLERANCES PER ASME Y14.5 SCALE NONE SHEET 1 OF 1
DESCRIPTION REVERSE POLARITY TNC PLUG TO PUSH-ON SMP FEMALE RIGHT ANGLE LOW LOSS CABLE USING PE-C100-LSZH COAX, LF SOLDER			
SIZE	CAGE CODE	DRAWN BY	ITEM NO.
A	53919	DMAY	PE3W16182LF