

Reverse Polarity TNC Jack Bulkhead to SMA Female Cable Using RG58 Coax



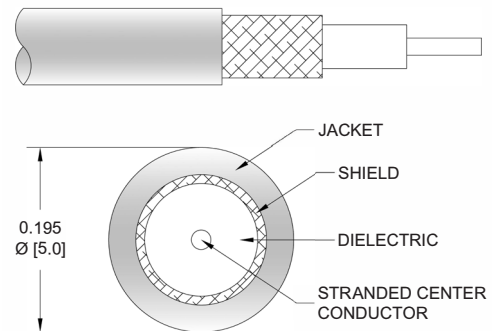
PE3W16219

Configuration

- Connector 1: TNC Jack Reverse Polarity Bulkhead
- Connector 2: SMA Female
- Cable Type: RG58
- Coax Flex Type: Flexible

Features

- Max Frequency 3 GHz
- 65.9% Phase Velocity
- PVC (NC) Jacket



Applications

- General Purpose
- Laboratory Use

Description

Pasternack's PE3W16219 reverse polarity TNC jack bulkhead to SMA female cable using RG58 coax is part of our full line of RF components available for same-day shipping. Pasternack's flexible RF cable assemblies are ideal for applications where tight bends and flexure are required. This Pasternack reverse polarity TNC to SMA cable assembly has a jack to female gender configuration with 50 ohm flexible RG58 coax. The PE3W16219 reverse polarity TNC jack to SMA female cable assembly operates to 3 GHz. Our RF cable assembly with TNC bulkhead interface allows designers to create external connections on their product enclosures, and can be used in a variety of other rack mount and panel mount applications.

Custom versions of most RF cable assemblies can be built and shipped same day. Custom cable assembly lengths can be obtained by specifying the desired length on the web site at time of order or by contacting a sales representative. Other available RF cable assembly value added services include connector orientation or clocking, heat shrink booting and custom labeling. RF testing can also be performed to document the electrical performance of your cable assembly.

Electrical Specifications

| Description | Minimum | Typical | Maximum | Units |
|-------------------------|---------|---------------|---------|------------------|
| Frequency Range | DC | | 3 | GHz |
| VSWR | | | 1.4:1 | |
| Velocity of Propagation | | 65.9 | | % |
| Capacitance | | 30.8 [101.05] | | pF/ft [pF/m] |
| Operating Voltage (AC) | | | 335 | V _{rms} |

Specifications by Frequency

Reverse Polarity TNC Jack Bulkhead to SMA
Female Cable Using RG58 Coax



PE3W16219

| Part Number | Length | Description | F1 | F2 | F3 | F4 | F5 | Units | Weight (lbs) |
|-----------------|--------------------------|-----------------------|-----------|-------|-------|------|------|-------|--------------|
| | | | Frequency | | 100 | 250 | 500 | 1000 | |
| PE3W16219 | Custom Lengths Available | Insertion Loss (Typ.) | 0.014 | 0.074 | 0.116 | 0.2 | 0.4 | dB/ft | |
| | | | 0.05 | 0.25 | 0.39 | 0.66 | 1.32 | dB/m | |
| PE3W16219-12 | 12 In | Insertion Loss (Typ.) | 0.22 | 0.28 | 0.32 | 0.4 | 0.6 | dB | 0.078 |
| PE3W16219-24 | 24 In | Insertion Loss (Typ.) | 0.23 | 0.35 | 0.44 | 0.6 | 1 | dB | 0.102 |
| PE3W16219-36 | 36 In | Insertion Loss (Typ.) | 0.25 | 0.43 | 0.55 | 0.8 | 1.4 | dB | 0.126 |
| PE3W16219-48 | 48 In | Insertion Loss (Typ.) | 0.26 | 0.5 | 0.67 | 1 | 1.8 | dB | 0.15 |
| PE3W16219-200CM | 200 CM | Insertion Loss (Typ.) | 0.3 | 0.69 | 0.97 | 1.52 | 2.83 | dB | 0.212 |

The insertion loss data for the base model does not include loss due to the connectors. Each length includes insertion loss due to the connectors.

| | |
|-----------------------------|--------------|
| Loss due to Connector 1: | 0.1 dB |
| Loss due to Connector 2: | 0.1 dB |
| Base Weight: | 0.078 pounds |
| Additional Weight per Inch: | 0.002 pounds |

Mechanical Specifications

Cable Assembly

| | |
|----------------|---------------------|
| Width/Diameter | 0.5 in [12.7 mm] |
| Weight | 0.078 lbs [35.38 g] |

Cable

| | |
|--------------------------------------|---------------------|
| Cable Type | RG58 |
| Impedance | 50 Ohms |
| Inner Conductor Type | Stranded |
| Inner Conductor Material and Plating | Copper, Tin |
| Dielectric Type | PE |
| Number of Shields | 1 |
| Shield Layer 1 | Tinned Copper Braid |
| Jacket Material | PVC (NC), Black |
| Jacket Diameter | 0.195 in [4.95 mm] |
| One Time Minimum Bend Radius | 0.98 in [24.89 mm] |
| Repeated Minimum Bend Radius | 1.96 in [49.78 mm] |

Reverse Polarity TNC Jack Bulkhead to SMA
Female Cable Using RG58 Coax



PE3W16219

Connectors

| Description | Connector 1 | Connector 2 |
|-------------------------------|------------------------------------|------------------------|
| Type | TNC Jack Reverse Polarity Bulkhead | SMA Female |
| Impedance | 50 Ohms | 50 Ohms |
| Configuration | Straight | Straight |
| Contact Material and Plating | Brass, Gold | Beryllium Copper, Gold |
| Contact Plating Specification | 30 µin minimum | 50 µin minimum |
| Dielectric Type | PTFE | PTFE |
| Body Material and Plating | Brass, Nickel | Brass, Nickel |
| Body Plating Specification | 100 µin minimum | 100 µin minimum |

Environmental Specifications

Operating Range Temperature -40 to +80 deg C

Compliance Certifications (see [product page](#) for current document)

Plotted and Other Data

Notes:

Reverse Polarity TNC Jack Bulkhead to SMA Female Cable Using RG58 Coax



PE3W16219

Typical Performance Data

How to Order

Part Number Configuration:

PE3W16219

- xx

uu

Unit of Measure:

cm = Centimeters

<blank> = Inches

Length

Base Number

Example: PE3W16219-12 = 12 inches long cable
PE3W16219-100cm = 100 cm long cable

Reverse Polarity TNC Jack Bulkhead to SMA Female Cable Using RG58 Coax from Pasternack Enterprises has same day shipment for domestic and International orders. Our RF, microwave and millimeter wave products maintain a 99.4% availability and are part of the broadest selection in the industry.

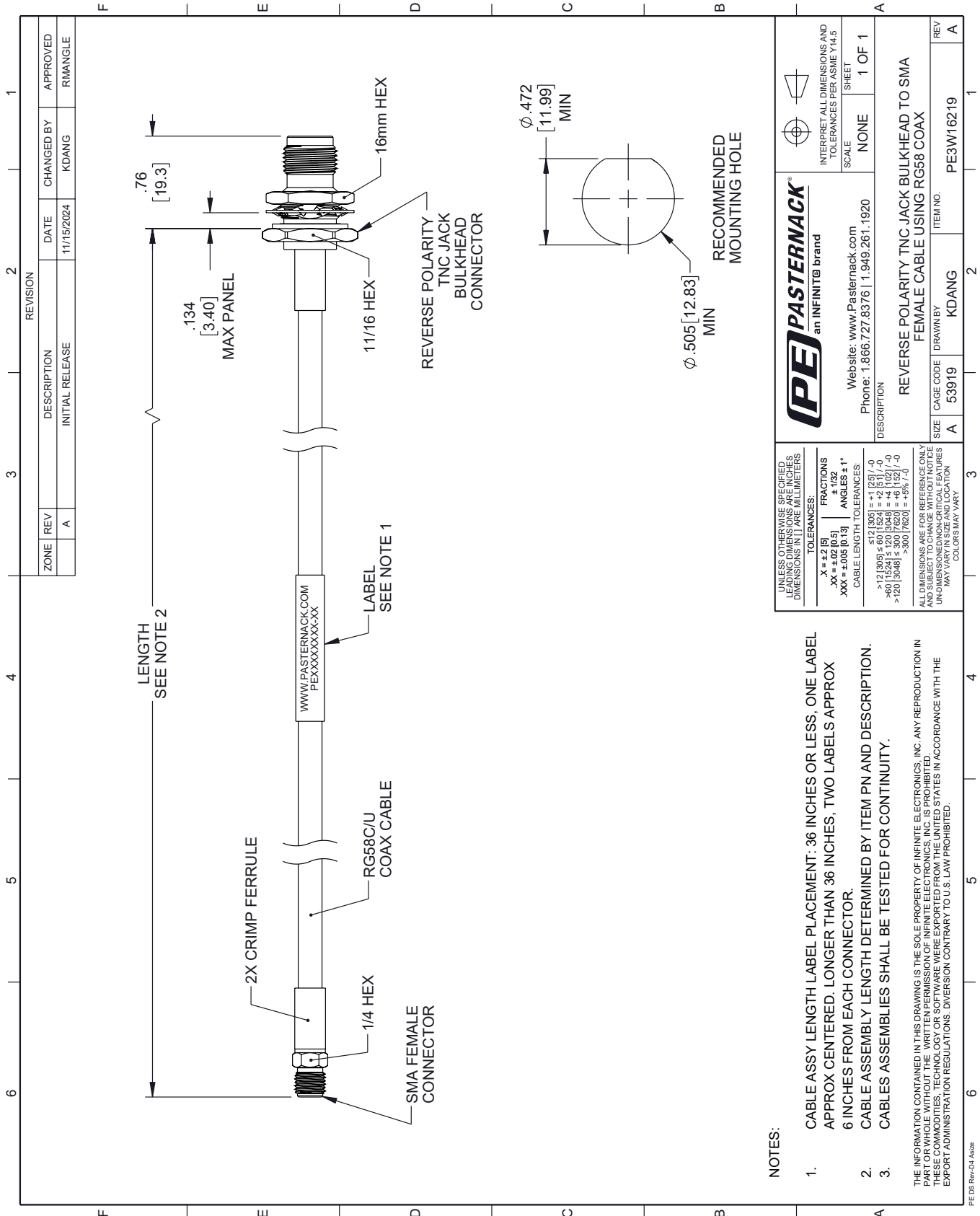
Click the following link (or enter part number in "SEARCH" on website) to obtain additional part information including price, inventory and certifications: [Reverse Polarity TNC Jack Bulkhead to SMA Female Cable Using RG58 Coax PE3W16219](#)

URL: <https://www.pasternack.com/reverse-polarity-tnc-jack-bulkhead-to-sma-female-cable-using-rg58-pe3w16219-p.aspx>

The information contained within this document is accurate to the best of our knowledge and representative of the part described herein. It may be necessary to make modifications to the part and/or the documentation of the part in order to implement improvements. Pasternack Enterprises reserves the right to make such changes as required. Unless otherwise stated, all specifications are nominal. Pasternack Enterprises does not make any representation or warranty regarding the suitability of the part described herein for any particular purpose, and Pasternack Enterprises does not assume liability arising out of the use of any part or document.

PE3W16219 CAD Drawing

Reverse Polarity TNC Jack Bulkhead to SMA Female Cable Using RG58 Coax



| REVISION | | DATE | CHANGED BY | APPROVED |
|-----------------|-----|------------|------------|----------|
| ZONE | REV | | | |
| | A | 11/15/2024 | KDANG | RMANGLE |
| DESCRIPTION | | | | |
| INITIAL RELEASE | | | | |

PE PASTERNAK
an INFINITE[®] brand

Website: www.Pasternack.com
Phone: 1.866.727.8376 | 1.949.261.1920

INTERPRET ALL DIMENSIONS AND TOLERANCES PER ASME Y14.5

SCALE: NONE SHEET: 1 OF 1

DESCRIPTION: REVERSE POLARITY TNC-JACK BULKHEAD TO SMA FEMALE CABLE USING RG58 COAX

REV: A

ITEM NO.: PE3W16219

CAGE CODE: 53919

DRAWN BY: KDANG

NOTES:

- CABLE ASSY LENGTH LABEL PLACEMENT: .36 INCHES OR LESS, ONE LABEL APPROX CENTERED. LONGER THAN .36 INCHES, TWO LABELS APPROX .6 INCHES FROM EACH CONNECTOR.
- CABLE ASSEMBLY LENGTH DETERMINED BY ITEM PN AND DESCRIPTION. CABLE ASSEMBLIES SHALL BE TESTED FOR CONTINUITY.
- THE INFORMATION CONTAINED IN THIS DRAWING IS THE SOLE PROPERTY OF INFINITE ELECTRONICS, INC. ANY REPRODUCTION IN PART OR WHOLE WITHOUT THE WRITTEN PERMISSION OF INFINITE ELECTRONICS, INC. IS PROHIBITED. THESE COMMODITIES, TECHNOLOGY OR SOFTWARE WERE EXPORTED FROM THE UNITED STATES IN ACCORDANCE WITH THE EXPORT ADMINISTRATION REGULATIONS. DIVERSION CONTRARY TO U.S. LAW PROHIBITED.

UNLESS OTHERWISE SPECIFIED, LEADING DIMENSIONS ARE IN INCHES. DIMENSIONS IN [] ARE MILLIMETERS.

TOLERANCES:
 .X = ±.2 [5]
 .XX = ±.02 [0.5]
 .XXX = ±.005 [0.13]

FRACTIONS:
 ± 1/32
 ANGLES ± 1°

CABLE LENGTH TOLERANCES:
 ≤ 12 [305] ± .60 [1524] = ± 2 [51] / -0
 > 12 [305] ≤ 60 [1524] = ± 4 [1027] / -0
 > 60 [1524] ≤ 120 [3048] = ± 4 [1027] / -0
 > 120 [3048] ≤ 300 [7620] = ± 5% / -0
 > 300 [7620] = ± 5% / -0

ALL DIMENSIONS ARE FOR REFERENCE ONLY. UNDIMENSIONED NON-CRITICAL FEATURES MAY VARY IN SIZE AND LOCATION. COLORS MAY VARY.