

SMA Male to SMA Male Cable Using PE-SR402FLJ Coax



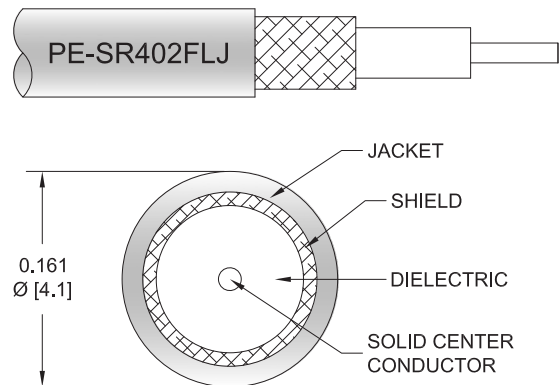
PE3W17088

Configuration

- Connector 1: SMA Male
- Connector 2: SMA Male
- Cable Type: PE-SR402FLJ
- Coax Flex Type: Formable

Features

- Max Frequency 26 GHz
- Shielding Effectivity > 100 dB
- 70% Phase Velocity
- FEP Jacket



Applications

- General Purpose
- Laboratory Use

Description

Pasternack's PE3W17088 SMA male to SMA male cable using PE-SR402FLJ coax is part of our full line of RF components available for same-day shipping. Pasternack's formable RF cable assemblies provide an alternative to costly pre-formed semi-rigid assemblies since they are hand formable. This Pasternack SMA to SMA cable assembly has a male to male gender configuration with 50 ohm formable PE-SR402FLJ coax. The PE3W17088 SMA male to SMA male cable assembly operates to 26 GHz.

Custom versions of most RF cable assemblies can be built and shipped same day. Custom cable assembly lengths can be obtained by specifying the desired length on the web site at time of order or by contacting a sales representative. Other available RF cable assembly value added services include connector orientation or clocking, heat shrink booting and custom labeling. RF testing can also be performed to document the electrical performance of your cable assembly.

Electrical Specifications

Description	Minimum	Typical	Maximum	Units
Frequency Range	DC		26	GHz
VSWR			1.4:1	
Velocity of Propagation		70		%
RF Shielding	100			dB
Group Delay		1.43 [4.69]		ns/ft [ns/m]
Capacitance		29 [95.14]		pF/ft [pF/m]
DC Resistance Inner Conductor		8.23 [27]		Ohms/1000ft [Ohms/Km]
Dielectric Withstanding Voltage (AC)			750	Vrms

Specifications by Frequency

SMA Male to SMA Male Cable Using PE-SR402FLJ Coax



PE3W17088

Part Number	Length	Description	F1	F2	F3	F4	F5	Units	Weight (lbs)
			Frequency		1000	2000	4500	9000	
PE3W17088	Custom Lengths Available	Insertion Loss (Typ.)	0.125	0.173	0.295	0.449	0.731	dB/ft	
			0.42	0.57	0.97	1.48	2.4	dB/m	
PE3W17088-6	6 In	Insertion Loss (Typ.)	0.27	0.29	0.35	0.43	0.57	dB	0.027
PE3W17088-9	9 In	Insertion Loss (Typ.)	0.3	0.33	0.43	0.54	0.75	dB	0.034
PE3W17088-12	12 In	Insertion Loss (Typ.)	0.33	0.38	0.5	0.65	0.94	dB	0.041
PE3W17088-18	18 In	Insertion Loss (Typ.)	0.39	0.46	0.65	0.88	1.3	dB	0.056
PE3W17088-24	24 In	Insertion Loss (Typ.)	0.45	0.55	0.79	1.1	1.67	dB	0.071

The insertion loss data for the base model does not include loss due to the connectors. Each length includes insertion loss due to the connectors.

Loss due to Connector 1:	0.1 dB
Loss due to Connector 2:	0.1 dB
Base Weight:	0.041 pounds
Additional Weight per Inch:	0.00242 pounds

Mechanical Specifications

Cable Assembly

Width/Diameter	0.5 in [12.7 mm]
Weight	0.018 lbs [8.16 g]

Cable

Cable Type	PE-SR402FLJ
Impedance	50 Ohms
Inner Conductor Type	Solid
Inner Conductor Material and Plating	Copper, Silver
Dielectric Type	PTFE
Outer Conductor 1 Material and Plating	Tinned Copper Braid
Jacket Material	FEP, Black
Jacket Diameter	0.161 in [4.09 mm]
One Time Minimum Bend Radius	0.315 in [8 mm]
Repeated Minimum Bend Radius	1.575 in [40.01 mm]

Connectors

Description	Connector 1	Connector 2
Type	SMA Male	SMA Male
Impedance	50 Ohms	50 Ohms
Configuration	Straight	Straight
Contact Material and Plating	Brass, Silver	Brass, Silver
Dielectric Type	PTFE	PTFE
Body Material and Plating	Brass, Tri-Metal	Brass, Tri-Metal
Coupling Nut Material and Plating	Brass, Tri-Metal	Brass, Tri-Metal

SMA Male to SMA Male Cable Using PE-SR402FLJ Coax



PE3W17088

Environmental Specifications

Operating Range Temperature -40 to +150 deg C

Compliance Certifications (see [product page](#) for current document)

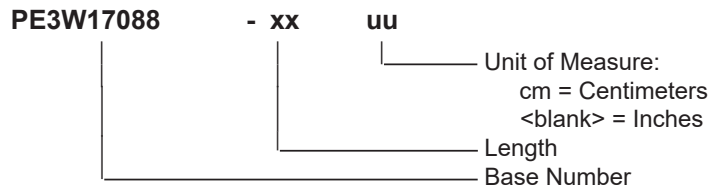
Plotted and Other Data

Notes:

Typical Performance Data

How to Order

Part Number Configuration:



Example: PE3W17088-12 = 12 inches long cable
PE3W17088-100cm = 100 cm long cable

SMA Male to SMA Male Cable Using PE-SR402FLJ Coax from Pasternack Enterprises has same day shipment for domestic and International orders. Our RF, microwave and millimeter wave products maintain a 99.4% availability and are part of the broadest selection in the industry.

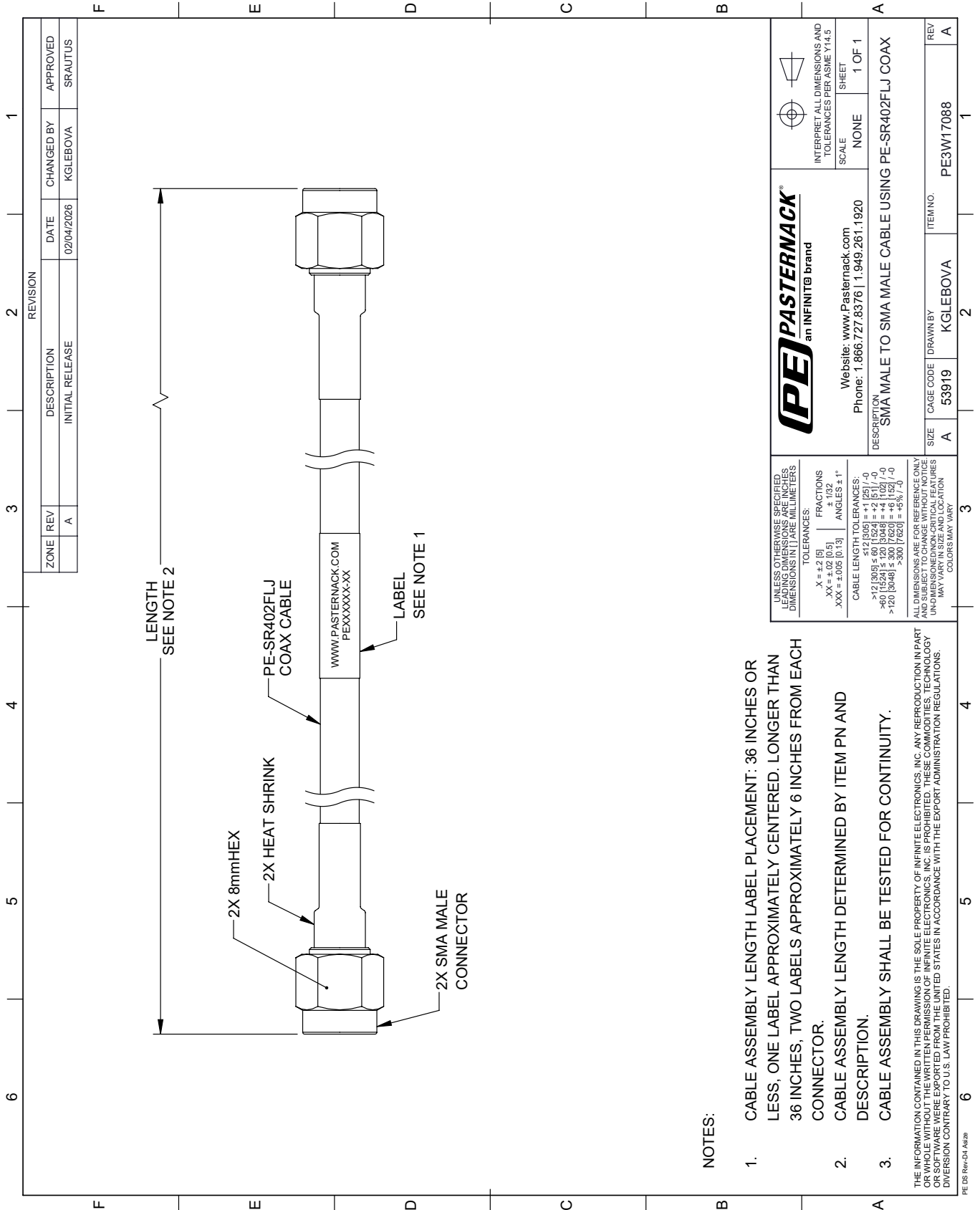
Click the following link (or enter part number in "SEARCH" on website) to obtain additional part information including price, inventory and certifications: [SMA Male to SMA Male Cable Using PE-SR402FLJ Coax PE3W17088](#)

URL: <https://www.pasternack.com/sma-male-to-sma-male-cable-using-pe-sr402flj-pe3w17088-p.aspx>

The information contained within this document is accurate to the best of our knowledge and representative of the part described herein. It may be necessary to make modifications to the part and/or the documentation of the part in order to implement improvements. Pasternack Enterprises reserves the right to make such changes as required. Unless otherwise stated, all specifications are nominal. Pasternack Enterprises does not make any representation or warranty regarding the suitability of the part described herein for any particular purpose, and Pasternack Enterprises does not assume liability arising out of the use of any part or document.

PE3W17088 CAD Drawing



SMA Male to SMA Male Cable Using PE-SR402FLJ Coax



NOTES:

1. CABLE ASSEMBLY LENGTH LABEL PLACEMENT: 36 INCHES OR LESS, ONE LABEL APPROXIMATELY CENTERED. LONGER THAN 36 INCHES, TWO LABELS APPROXIMATELY 6 INCHES FROM EACH CONNECTOR.
2. CABLE ASSEMBLY LENGTH DETERMINED BY ITEM PN AND DESCRIPTION.
3. CABLE ASSEMBLY SHALL BE TESTED FOR CONTINUITY.

THE INFORMATION CONTAINED IN THIS DRAWING IS THE SOLE PROPERTY OF INFINITE ELECTRONICS, INC. ANY REPRODUCTION IN PART OR WHOLE WITHOUT THE WRITTEN PERMISSION OF INFINITE ELECTRONICS, INC. IS PROHIBITED. THESE COMMODITIES, TECHNOLOGY OR SOFTWARE WERE EXPORTED FROM THE UNITED STATES IN ACCORDANCE WITH THE EXPORT ADMINISTRATION REGULATIONS. DIVERSION CONTRARY TO U.S. LAW PROHIBITED.

 PASTERNAK® an INFINITE brand	Website: www.Pasternack.com Phone: 1.866.727.8376 1.949.261.1920	 INTERPRET ALL DIMENSIONS AND TOLERANCES PER ASME Y14.5 SCALE: NONE SHEET: 1 OF 1
	DESCRIPTION SMA MALE TO SMA MALE CABLE USING PE-SR402FLJ COAX	
SIZE: A	CAGE CODE: 53919	ITEM NO.: PE3W17088
DRAWN BY: KGLEBOVA		REV: A

UNLESS OTHERWISE SPECIFIED, ALL DIMENSIONS ARE IN INCHES. LEADING DIMENSIONS ARE IN MILLIMETERS. DIMENSIONS IN [] ARE MILLIMETERS.

TOLERANCES:
 .X = ±.2 [5]
 .XX = ±.02 [0.5]
 .XXX = ±.005 [0.13]

FRACTIONS:
 ± 1/32
 ANGLES ± 1°

CABLE LENGTH TOLERANCES:
 <12 [305] ≤ 60 [1524] = ±.125 [1.25] / -0
 >60 [1524] ≤ 120 [3048] = ±.125 [1.25] / -0
 >120 [3048] ≤ 300 [7620] = ±.125 [1.25] / -0
 >300 [7620] = ±.5 [12.5] / -0

ALL DIMENSIONS ARE FOR REFERENCE ONLY. DIMENSIONS OF PARTS MAY VARY FROM DIMENSIONS OF THE ASSEMBLY. UNDIMENSIONED NON-CRITICAL FEATURES MAY VARY IN SIZE AND LOCATION. COLORS MAY VARY.