

Plenum SMA Female to SMA Female Low PIM Cable Using SPP-250-LLPL Coax



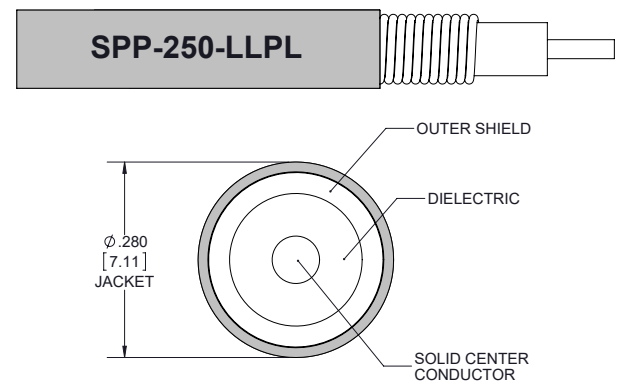
PE3W17229

Configuration

- Connector 1: SMA Female
- Connector 2: SMA Female
- Cable Type: SPP-250-LLPL
- Coax Flex Type: Corrugated

Features

- Max Frequency 6 GHz
- Low PIM: -155 dBc Max
- Shielding Effectivity > 100 dB
- 76% Phase Velocity
- FEP Jacket



Applications

- General Purpose
- Laboratory Use
- Low PIM Applications

Description

Pasternack's PE3W17229 SMA female to SMA female cable using SPP-250-LLPL coax is part of our full line of RF components available for same-day shipping. Pasternack's corrugated RF cable assemblies are ideal for applications where durability and high power are needed. This Pasternack SMA to SMA cable assembly has a female to female gender configuration with 50 ohm corrugated SPP-250-LLPL coax. The PE3W17229 SMA female to SMA female cable assembly operates to 6 GHz. Our low PIM design also offers excellent passive intermodulation performance with PIM levels better than -155 dBc.

Custom versions of most RF cable assemblies can be built and shipped same day. Custom cable assembly lengths can be obtained by specifying the desired length on the web site at time of order or by contacting a sales representative. Other available RF cable assembly value added services include connector orientation or clocking, heat shrink booting and custom labeling. RF testing can also be performed to document the electrical performance of your cable assembly.

Electrical Specifications

Description	Minimum	Typical	Maximum	Units
Frequency Range	DC		6	GHz
VSWR			1.4:1	
Velocity of Propagation		76		%
RF Shielding	100			dB
Passive Intermodulation IM3 (2x43dBm Tones) at 850 MHz or 1900 MHz			-155	dBc
Capacitance		27 [88.58]		pF/ft [pF/m]
Inductance		0.067 [0.22]		uH/ft [uH/m]
DC Resistance Inner Conductor		3 [9.84]		Ohms/1000ft [Ohms/Km]

Specifications by Frequency

Plenum SMA Female to SMA Female Low PIM
Cable Using SPP-250-LLPL Coax



PE3W17229

Part Number	Length	Description	F1	F2	F3	F4	Units	Weight (lbs)
			Frequency	500	1000	2500	6000	
PE3W17229	Custom Lengths Available	Insertion Loss (Typ.)	0.039	0.054	0.093	0.148	dB/ft	
			0.13	0.18	0.31	0.49	dB/m	
PE3W17229-12	12 In	Insertion Loss (Typ.)	0.24	0.26	0.3	0.35	dB	0.11
PE3W17229-24	24 In	Insertion Loss (Typ.)	0.28	0.31	0.39	0.5	dB	0.181
PE3W17229-36	36 In	Insertion Loss (Typ.)	0.32	0.37	0.48	0.65	dB	0.251
PE3W17229-60	60 In	Insertion Loss (Typ.)	0.4	0.47	0.67	0.94	dB	0.391
PE3W17229-50CM	50 CM	Insertion Loss (Typ.)	0.27	0.29	0.36	0.45	dB	0.155

The insertion loss data for the base model does not include loss due to the connectors. Each length includes insertion loss due to the connectors.

Loss due to Connector 1: 0.1 dB
 Loss due to Connector 2: 0.1 dB
 Base Weight: 0.11 pounds
 Additional Weight per Inch: 0.00584 pounds

Mechanical Specifications

Cable Assembly

Width/Diameter .5 in [12.7 mm]
 Weight 0.11 lbs [49.9 g]

Cable

Cable Type SPP-250-LLPL
 Impedance 50 Ohms
 Inner Conductor Type Solid
 Inner Conductor Material and Plating Copper
 Dielectric Type PTFE
 Number of Shields 1
 Outer Conductor 1 Material and Plating Copper
 Jacket Material FEP, Blue
 Jacket Diameter 0.28 in [7.11 mm]
 One Time Minimum Bend Radius 1.25 in [31.75 mm]
 Bending Moment 0.8 lbs-ft [1.08 N-m]

Connectors

Description	Connector 1	Connector 2
Type	SMA Female	SMA Female
Impedance	50 Ohms	50 Ohms
Configuration	Straight	Straight
Contact Material and Plating	Beryllium Copper, Silver	Beryllium Copper, Silver
Dielectric Type	PTFE	PTFE
Outer Conductor Material and Plating	Brass, Tri-Metal	Brass, Tri-Metal
Body Material and Plating	Brass, Tri-Metal	Brass, Tri-Metal

Plenum SMA Female to SMA Female Low PIM Cable Using SPP-250-LLPL Coax



PE3W17229

Environmental Specifications

Operating Range Temperature -40 to +155 deg C

Compliance Certifications (see [product page](#) for current document)

Plotted and Other Data

Notes:

Typical Performance Data

How to Order

Part Number Configuration: **PE3W17229 - xx uu**

PE3W17229: Base Number
 - xx: Length
 uu: Unit of Measure:
 cm = Centimeters
 <blank> = Inches

Example: PE3W17229-12 = 12 inches long cable
 PE3W17229-100cm = 100 cm long cable

Plenum SMA Female to SMA Female Low PIM Cable Using SPP-250-LLPL Coax from Pasternack Enterprises has same day shipment for domestic and International orders. Our RF, microwave and millimeter wave products maintain a 99.4% availability and are part of the broadest selection in the industry.

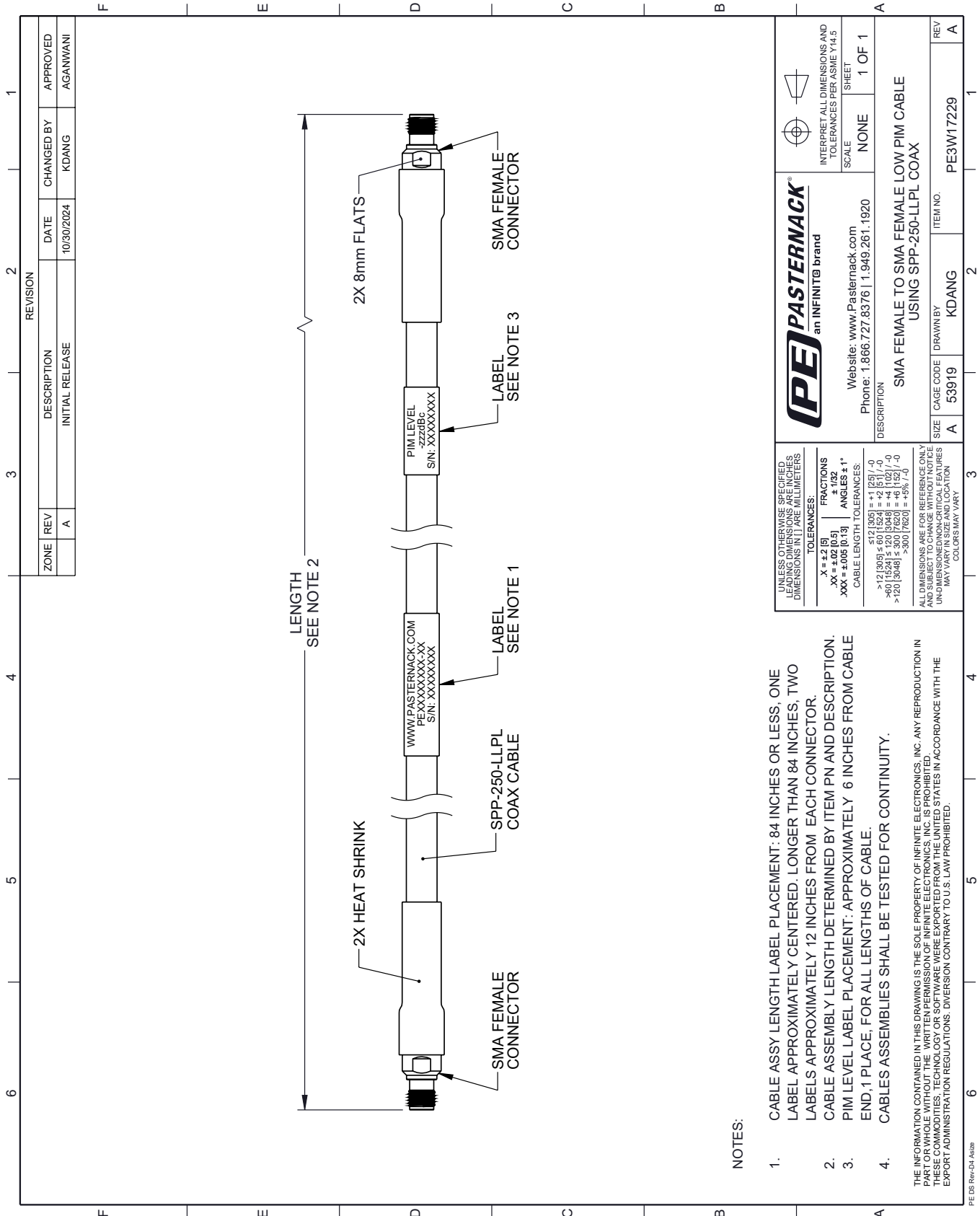
Click the following link (or enter part number in "SEARCH" on website) to obtain additional part information including price, inventory and certifications: [Plenum SMA Female to SMA Female Low PIM Cable Using SPP-250-LLPL Coax PE3W17229](#)

URL: <https://www.pasternack.com/plenum-sma-female-to-sma-female-low-pim-cable-using-spp-250-llpl-pe3w17229-p.aspx>

The information contained within this document is accurate to the best of our knowledge and representative of the part described herein. It may be necessary to make modifications to the part and/or the documentation of the part in order to implement improvements. Pasternack Enterprises reserves the right to make such changes as required. Unless otherwise stated, all specifications are nominal. Pasternack Enterprises does not make any representation or warranty regarding the suitability of the part described herein for any particular purpose, and Pasternack Enterprises does not assume liability arising out of the use of any part or document.

PE3W17229 CAD Drawing

Plenum SMA Female to SMA Female Low PIM Cable Using SPP-250-LLPL Coax



NOTES:

- CABLE ASSY LENGTH LABEL PLACEMENT: 84 INCHES OR LESS, ONE LABEL APPROXIMATELY CENTERED. LONGER THAN 84 INCHES, TWO LABELS APPROXIMATELY 12 INCHES FROM EACH CONNECTOR.
- CABLE ASSEMBLY LENGTH DETERMINED BY ITEM PN AND DESCRIPTION.
- PIM LEVEL LABEL PLACEMENT: APPROXIMATELY 6 INCHES FROM CABLE END, 1 PLACE, FOR ALL LENGTHS OF CABLE.
- CABLES ASSEMBLIES SHALL BE TESTED FOR CONTINUITY.

THE INFORMATION CONTAINED IN THIS DRAWING IS THE SOLE PROPERTY OF INFINITE ELECTRONICS, INC. ANY REPRODUCTION IN PART OR WHOLE WITHOUT THE WRITTEN PERMISSION OF INFINITE ELECTRONICS, INC. IS PROHIBITED. THESE COMMODITIES, TECHNOLOGY OR SOFTWARE WERE EXPORTED FROM THE UNITED STATES IN ACCORDANCE WITH THE EXPORT ADMINISTRATION REGULATIONS. DIVERSION CONTRARY TO U.S. LAW PROHIBITED.

REVISION		DATE	CHANGED BY	APPROVED
ZONE	REV			
	A	10/30/2024	KDANG	AGANWANI
DESCRIPTION				
INITIAL RELEASE				

Website: www.Pasternack.com Phone: 1.866.727.8376 1.949.261.1920		INTERPRET ALL DIMENSIONS AND TOLERANCES PER ASME Y14.5 SCALE: NONE SHEET: 1 OF 1
DESCRIPTION: SMA FEMALE TO SMA FEMALE LOW PIM CABLE USING SPP-250-LLPL COAX		
SIZE: A	CAGE CODE: 53919	ITEM NO.: PE3W17229
DRAWN BY: KDANG		REV: A

UNLESS OTHERWISE SPECIFIED, LEADING DIMENSIONS ARE IN INCHES, DIMENSIONS IN [] ARE MILLIMETERS.

TOLERANCES:

- X = ± 2 [5]
- .XX = ± 0.02 [0.5]
- XXX = ± 0.05 [1.3]

FRACTIONS: ± 1/32

ANGLES: ± 1°

CABLE LENGTH TOLERANCES:

- < 12 [305] = ± 1 [25] / -0
- > 12 [305] ≤ 60 [1524] = ± 2 [51] / -0
- > 60 [1524] ≤ 120 [3048] = ± 4 [102] / -0
- > 120 [3048] ≤ 300 [7620] = ± 8 [254] / -0
- > 300 [7620] = ± 5% [12.5]

ALL DIMENSIONS ARE FOR REFERENCE ONLY. UNDIMENSIONED NON-CRITICAL FEATURES MAY VARY IN SIZE AND LOCATION. COLORS MAY VARY.