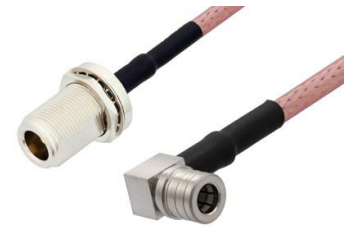


## N Female Bulkhead to QMA Male Right Angle Cable Using RG142 Coax with HeatShrink



### PE3W17610/HS

#### Configuration

- Connector 1: N Female Bulkhead
- Connector 2: QMA Male Right Angle
- Cable Type: RG142
- Coax Flex Type: Flexible

#### Features

- Shielding Effectivity > 70 dB
- 70% Phase Velocity
- Double Shielded
- FEP Jacket



#### Applications

- General Purpose
- Laboratory Use

#### Description

Pasternack's PE3W17610/HS type N female bulkhead to QMA male right angle cable using RG142 coax is part of our full line of RF components available for same-day shipping. Pasternack's flexible RF cable assemblies are ideal for applications where tight bends and flexure are required. This Pasternack type N to QMA cable assembly has a female to male gender configuration with 50 ohm flexible RG142 coax. The right angle QMA interface on the RG142 cable allows for easier connections in tight spaces. Our RF cable assembly with type N bulkhead interface allows designers to create external connections on their product enclosures, and can be used in a variety of other rack mount and panel mount applications. The double shielding of this Pasternack cable assembly provides excellent shielding effectiveness of better than 70 dB.

Custom versions of most RF cable assemblies can be built and shipped same day. Custom cable assembly lengths can be obtained by specifying the desired length on the web site at time of order or by contacting a sales representative. Other available RF cable assembly value added services include connector orientation or clocking, heat shrink booting and custom labeling. RF testing can also be performed to document the electrical performance of your cable assembly.

#### Electrical Specifications

Description	Minimum	Typical	Maximum	Units
Velocity of Propagation		70		%
RF Shielding	70			dB
Capacitance		96.45 [316.44]		pF/ft [pF/m]
DC Resistance Inner Conductor		65 [213.25]		Ohms/1000ft [Ohms/Km]
DC Resistance Outer Conductor		9 [29.53]		Ohms/1000ft [Ohms/Km]

#### Mechanical Specifications

##### Cable Assembly

Width/Diameter

0.5 in [12.7 mm]

Weight

0.113 lbs [51.26 g]

## N Female Bulkhead to QMA Male Right Angle Cable Using RG142 Coax with HeatShrink



### PE3W17610/HS

#### Cable

Cable Type	RG142
Impedance	50 Ohms
Inner Conductor Type	Solid
Inner Conductor Material and Plating	Copper Clad Steel, Silver
Dielectric Type	PTFE
Number of Shields	2
Shield Layer 1	Silver Plated Copper Braid
Shield Layer 2	Silver Plated Copper Braid
Jacket Material	FEP, Tan
Jacket Diameter	0.195 in [4.95 mm]
One Time Minimum Bend Radius	0.98 in [24.89 mm]
Repeated Minimum Bend Radius	1.97 in [50.04 mm]

#### Connectors

Description	Connector 1	Connector 2
Type	N Female Bulkhead	QMA Male Right Angle
Specification	MIL-STD-348A	
Impedance	50 Ohms	50 Ohms
Configuration	Straight	Right Angle
Contact Material and Plating	Brass, Gold	
Contact Plating Specification	30 µin minimum	
Dielectric Type	PTFE	
Outer Conductor Material and Plating	Brass, Nickel	
Outer Conductor Plating Specification	100 µin minimum	
Body Material and Plating	Brass, Nickel	Brass, Nickel
Body Plating Specification	100 µin minimum	

#### Environmental Specifications

**Compliance Certifications** (see [product page](#) for current document)

#### Plotted and Other Data

Notes:

## N Female Bulkhead to QMA Male Right Angle Cable Using RG142 Coax with HeatShrink



### PE3W17610/HS

#### Typical Performance Data

#### How to Order

Part Number Configuration:

**PE3W17610/HS - xx uu**

\_\_\_\_\_ Unit of Measure:  
 cm = Centimeters  
 <blank> = Inches  
 \_\_\_\_\_ Length  
 \_\_\_\_\_ Base Number

Example: PE3W17610/HS-12 = 12 inches long cable  
 PE3W17610/HS-100cm = 100 cm long cable

N Female Bulkhead to QMA Male Right Angle Cable Using RG142 Coax with HeatShrink from Pasternack Enterprises has same day shipment for domestic and International orders. Our RF, microwave and millimeter wave products maintain a 99.4% availability and are part of the broadest selection in the industry.

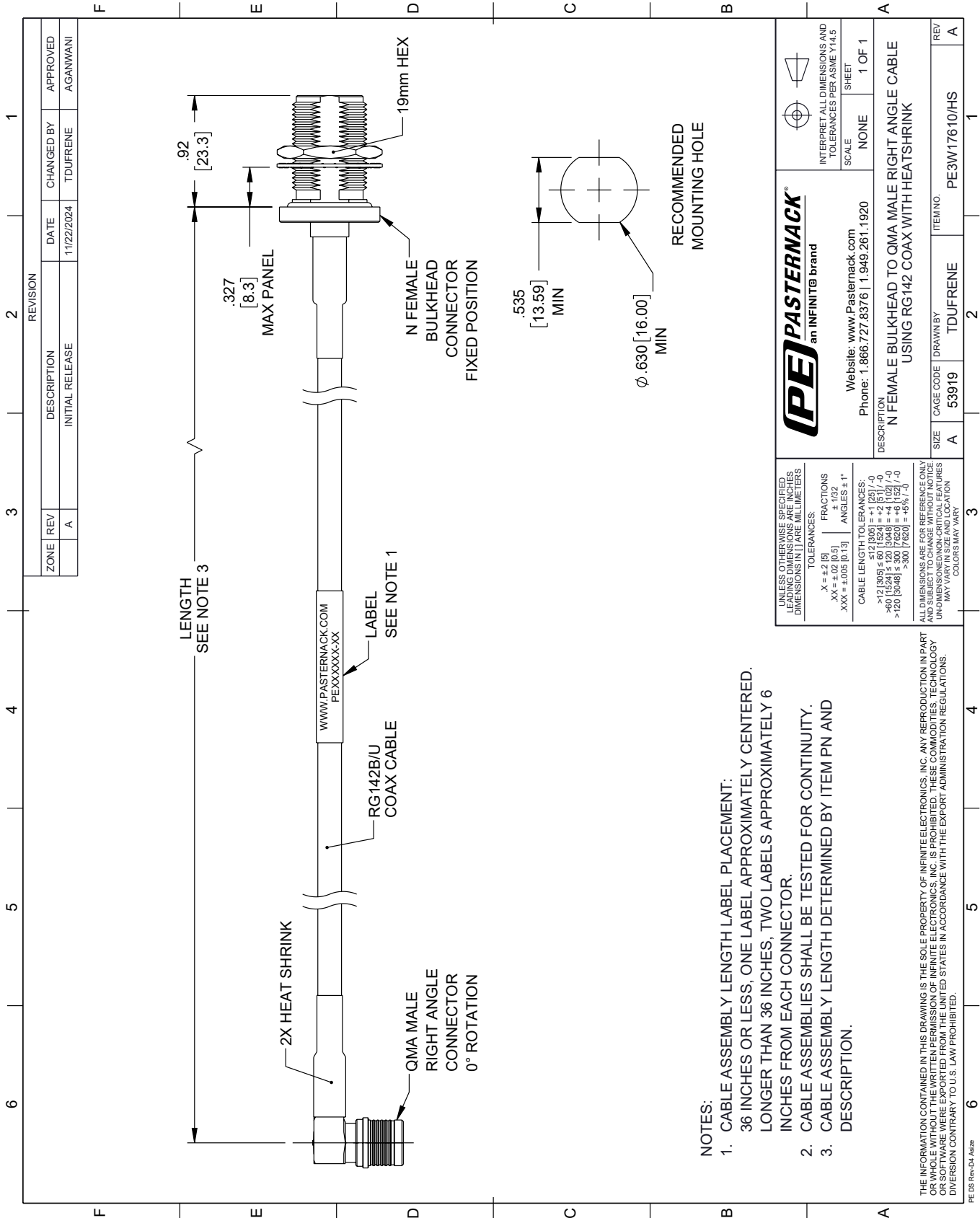
Click the following link (or enter part number in "SEARCH" on website) to obtain additional part information including price, inventory and certifications: [N Female Bulkhead to QMA Male Right Angle Cable Using RG142 Coax with HeatShrink PE3W17610/HS](#)

URL: <https://www.pasternack.com/n-female-bulkhead-to-qma-male-cable-using-rg142-with-heatshrink-pe3w17610-hs-p.aspx>

The information contained within this document is accurate to the best of our knowledge and representative of the part described herein. It may be necessary to make modifications to the part and/or the documentation of the part in order to implement improvements. Pasternack Enterprises reserves the right to make such changes as required. Unless otherwise stated, all specifications are nominal. Pasternack Enterprises does not make any representation or warranty regarding the suitability of the part described herein for any particular purpose, and Pasternack Enterprises does not assume liability arising out of the use of any part or document.

# PE3W17610/HS CAD Drawing

N Female Bulkhead to QMA Male Right Angle Cable Using RG142 Coax with HeatShrink



**NOTES:**

1. CABLE ASSEMBLY LENGTH LABEL PLACEMENT: 36 INCHES OR LESS, ONE LABEL APPROXIMATELY CENTERED. LONGER THAN 36 INCHES, TWO LABELS APPROXIMATELY 6 INCHES FROM EACH CONNECTOR.
2. CABLE ASSEMBLIES SHALL BE TESTED FOR CONTINUITY.
3. CABLE ASSEMBLY LENGTH DETERMINED BY ITEM PN AND DESCRIPTION.

THE INFORMATION CONTAINED IN THIS DRAWING IS THE SOLE PROPERTY OF INFINITE ELECTRONICS, INC. ANY REPRODUCTION IN PART OR WHOLE WITHOUT THE WRITTEN PERMISSION OF INFINITE ELECTRONICS, INC. IS PROHIBITED. THESE COMMODITIES, TECHNOLOGY OR SOFTWARE ARE EXPORTED FROM THE UNITED STATES IN ACCORDANCE WITH THE EXPORT ADMINISTRATION REGULATIONS. DIVERSION CONTRARY TO U.S. LAW PROHIBITED.

		Website: <a href="http://www.Pasternack.com">www.Pasternack.com</a> Phone: 1.866.727.8376   1.949.261.1920	
INTERPRET ALL DIMENSIONS AND TOLERANCES PER ASME Y14.5		SCALE: NONE SHEET: 1 OF 1	
DESCRIPTION: N FEMALE BULKHEAD TO QMA MALE RIGHT ANGLE CABLE USING RG142 COAX WITH HEATSHRINK			
SIZE: A	CAGE CODE: 53919	DRAWN BY: TDUFRENE	ITEM NO.: PE3W17610/HS

UNLESS OTHERWISE SPECIFIED, LEADING DIMENSIONS ARE IN INCHES. DIMENSIONS IN [ ] ARE MILLIMETERS.

TOLERANCES:  
 .X = ±.2 [5]      FRACTIONS ± 1/32  
 .XX = ±.02 [0.5]      ANGLES ± 1°  
 .XXX = ±.005 [0.13]

CABLE LENGTH TOLERANCES:  
 <12 [305] ≤ 60 [1524] = ±.2 [5] / -0  
 >60 [1524] ≤ 120 [3048] = ±.4 [102] / -0  
 >120 [3048] ≤ 300 [7620] = ±.6 [152] / -0

ALL DIMENSIONS ARE FOR REFERENCE ONLY. UNDIMENSIONED/NON-CRITICAL FEATURES MAY VARY IN SIZE AND LOCATION. COLORS MAY VARY.

REVISION		DATE	CHANGED BY	APPROVED
ZONE	REV			
	A	11/22/2024	TDUFRENE	AGANWANI
DESCRIPTION				
INITIAL RELEASE				