

BNC Male Right Angle to SMA Male Cable Using RG58 Coax



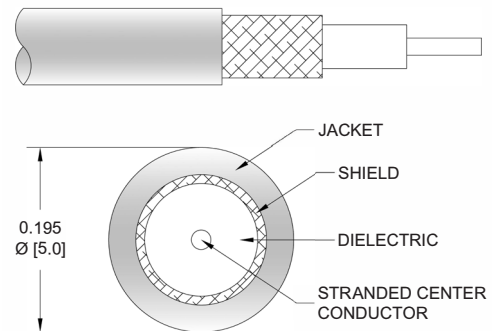
PE3W18832

Configuration

- Connector 1: BNC Male Right Angle
- Connector 2: SMA Male
- Cable Type: RG58
- Coax Cable Group: 3
- Coax Flex Type: Flexible

Features

- Max Frequency 1 GHz
- 65.9% Phase Velocity
- PVC (NC) Jacket



Applications

- General Purpose
- Laboratory Use

Description

Pasternack's PE3W18832 BNC male right angle to SMA male cable using RG58 coax is part of our full line of RF components available for same-day shipping. Pasternack's flexible RF cable assemblies are ideal for applications where tight bends and flexure are required. This Pasternack BNC to SMA cable assembly has a male to male gender configuration with 50 ohm flexible RG58 coax. The PE3W18832 BNC male to SMA male cable assembly operates to 1 GHz. The right angle BNC interface on the RG58 cable allows for easier connections in tight spaces.

Custom versions of most RF cable assemblies can be built and shipped same day. Custom cable assembly lengths can be obtained by specifying the desired length on the web site at time of order or by contacting a sales representative. Other available RF cable assembly value added services include connector orientation or clocking, heat shrink booting and custom labeling. RF testing can also be performed to document the electrical performance of your cable assembly.

Electrical Specifications

Description	Minimum	Typical	Maximum	Units
Frequency Range	DC		1	GHz
Velocity of Propagation		65.9		%
Capacitance		30.8 [101.05]		pF/ft [pF/m]
Operating Voltage (AC)			335	Vrms

Specifications by Frequency

BNC Male Right Angle to SMA Male Cable Using RG58 Coax



PE3W18832

Part Number	Length	Description	F1	F2	F3	F4	F5	Units	Weight (lbs)
			Frequency	50	100	250	500	1000	
PE3W18832	Custom Lengths Available	Insertion Loss (Typ.)	0.03	0.05	0.074	0.116	0.2	dB/ft	
			0.1	0.17	0.25	0.39	0.66	dB/m	
PE3W18832-12	12 inch	Insertion Loss (Typ.)	0.33	0.35	0.38	0.42	0.5	dB	0.113
PE3W18832-24	24 inch	Insertion Loss (Typ.)	0.36	0.4	0.45	0.54	0.7	dB	0.137
PE3W18832-36	36 inch	Insertion Loss (Typ.)	0.39	0.45	0.53	0.65	0.9	dB	0.161
PE3W18832-48	48 inch	Insertion Loss (Typ.)	0.42	0.5	0.6	0.77	1.1	dB	0.185
PE3W18832-200CM	200 cm	Insertion Loss (Typ.)	0.5	0.63	0.79	1.07	1.62	dB	0.243

The insertion loss data for the base model does not include loss due to the connectors. Each length includes insertion loss due to the connectors.

Loss due to Connector 1:	0.2 dB
Loss due to Connector 2:	0.1 dB
Base Weight:	0.113 pounds
Additional Weight per Inch:	0.002 pounds

Mechanical Specifications

Cable Assembly

Width/Diameter	0.5 in [12.7 mm]
Weight	0.113 lbs [51.26 g]

Cable

Cable Type	RG58
Impedance	50 Ohms
Inner Conductor Type	Stranded
Inner Conductor Material and Plating	Copper, Tin
Dielectric Type	PE
Number of Shields	1
Shield Layer 1	Tinned Copper Braid
Jacket Material	PVC (NC), Black
Jacket Diameter	0.195 in [4.95 mm]
One Time Minimum Bend Radius	0.98 in [24.89 mm]
Repeated Minimum Bend Radius	1.96 in [49.78 mm]

BNC Male Right Angle to SMA Male Cable Using RG58 Coax



PE3W18832

Connectors

Description	Connector 1	Connector 2
Type	BNC Male Right Angle	SMA Male
Specification	MIL-STD-348A	MIL-STD-348
Impedance	50 Ohms	50 Ohms
Configuration	Right Angle	Straight
Contact Material and Plating	Brass, Gold	Brass, Gold
Contact Plating Specification	30 µin minimum	MIL-G-45204
Dielectric Type	PTFE	PTFE
Body Material and Plating	Brass, Nickel	Brass, Nickel
Body Plating Specification	100 µin minimum	QQ-N-290
Coupling Nut Material and Plating	Brass, Nickel	Brass, Nickel
Coupling Nut Plating Specification	100 µin minimum	QQ-N-290
Hex Size		16-May inch
Torque		3 in-lbs 0.34 Nm

Environmental Specifications

Operating Range Temperature -40 to +80 deg C

Compliance Certifications (see [product page](#) for current document)

Plotted and Other Data

Notes:

BNC Male Right Angle to SMA Male Cable Using RG58 Coax



PE3W18832

Typical Performance Data

How to Order

Part Number Configuration:

PE3W18832

- xx

uu

Unit of Measure:

cm = Centimeters

<blank> = Inches

Length

Base Number

Example: PE3W18832-12 = 12 inches long cable
PE3W18832-100cm = 100 cm long cable

BNC Male Right Angle to SMA Male Cable Using RG58 Coax from Pasternack Enterprises has same day shipment for domestic and International orders. Our RF, microwave and millimeter wave products maintain a 99.4% availability and are part of the broadest selection in the industry.

Click the following link (or enter part number in "SEARCH" on website) to obtain additional part information including price, inventory and certifications: [BNC Male Right Angle to SMA Male Cable Using RG58 Coax PE3W18832](https://www.pasternack.com/bnc-male-right-angle-to-sma-male-cable-using-rg58-pe3w18832-p.aspx)

URL: <https://www.pasternack.com/bnc-male-right-angle-to-sma-male-cable-using-rg58-pe3w18832-p.aspx>

The information contained within this document is accurate to the best of our knowledge and representative of the part described herein. It may be necessary to make modifications to the part and/or the documentation of the part in order to implement improvements. Pasternack Enterprises reserves the right to make such changes as required. Unless otherwise stated, all specifications are nominal. Pasternack Enterprises does not make any representation or warranty regarding the suitability of the part described herein for any particular purpose, and Pasternack Enterprises does not assume liability arising out of the use of any part or document.

PE3W18832 CAD Drawing

BNC Male Right Angle to SMA Male Cable Using RG58 Coax

