

N Female Bulkhead to SMB Jack Bulkhead Cable Using RG316 Coax



PE3W18838

Configuration

- Connector 1: N Female Bulkhead
- Connector 2: SMB Jack Bulkhead
- Cable Type: RG316
- Coax Flex Type: Flexible

Features

- Max Frequency 3 GHz
- 69% Phase Velocity
- FEP Jacket



Applications

- General Purpose
- Laboratory Use

Description

Pasternack's PE3W18838 type N female bulkhead to SMB jack bulkhead cable using RG316 coax is part of our full line of RF components available for same-day shipping. Pasternack's flexible RF cable assemblies are ideal for applications where tight bends and flexure are required. This Pasternack type N to SMB cable assembly has a female to jack gender configuration with 50 ohm flexible RG316 coax. The PE3W18838 type N female to SMB jack cable assembly operates to 3 GHz. Our RF cable assembly with type N bulkhead and SMB bulkhead interface allows designers to create external connections on their product enclosures, and can be used in a variety of other rack mount and panel mount applications.

Custom versions of most RF cable assemblies can be built and shipped same day. Custom cable assembly lengths can be obtained by specifying the desired length on the web site at time of order or by contacting a sales representative. Other available RF cable assembly value added services include connector orientation or clocking, heat shrink booting and custom labeling. RF testing can also be performed to document the electrical performance of your cable assembly.

Electrical Specifications

Description	Minimum	Typical	Maximum	Units
Frequency Range	DC		3	GHz
VSWR			1.4:1	
Velocity of Propagation		69		%
Operating Voltage (AC)			335	Vrms
Jacket Spark			2,000	Vrms

Specifications by Frequency

N Female Bulkhead to SMB Jack Bulkhead Cable Using RG316 Coax



PE3W18838

Part Number	Length	Description	F1	F2	F3	F4	F5	Units	Weight (lbs)
			Frequency		100	250	500	1000	
PE3W18838	Custom Lengths Available	Insertion Loss (Typ.)	0.11	0.16	0.24	0.38	0.58	dB/ft	
			0.37	0.53	0.79	1.25	1.91	dB/m	
PE3W18838-12	12 inch	Insertion Loss (Typ.)	0.31	0.36	0.44	0.58	0.78	dB	0.098
PE3W18838-24	24 inch	Insertion Loss (Typ.)	0.42	0.52	0.68	0.96	1.36	dB	0.109
PE3W18838-36	36 inch	Insertion Loss (Typ.)	0.53	0.68	0.92	1.34	1.94	dB	0.119
PE3W18838-48	48 inch	Insertion Loss (Typ.)	0.64	0.84	1.16	1.72	2.52	dB	0.129
PE3W18838-72	72 inch	Insertion Loss (Typ.)	0.86	1.16	1.63	2.48	3.68	dB	0.149

The insertion loss data for the base model does not include loss due to the connectors. Each length includes insertion loss due to the connectors.

Loss due to Connector 1:	0.1 dB
Loss due to Connector 2:	0.1 dB
Base Weight:	0.098 pounds
Additional Weight per Inch:	0.00084 pounds

Mechanical Specifications

Cable Assembly

Width/Diameter	0.5 in [12.7 mm]
Weight	0.098 lbs [44.45 g]

Cable

Cable Type	RG316
Impedance	50 Ohms
Inner Conductor Type	Stranded
Inner Conductor Material and Plating	Copper Clad Steel, Silver
Dielectric Type	PTFE
Number of Shields	1
Shield Layer 1	Silver Plated Copper Braid
Jacket Material	FEP, Tan
Jacket Diameter	0.102 in [2.59 mm]

Connectors

Description	Connector 1	Connector 2
Type	N Female Bulkhead	SMB Jack Bulkhead
Specification	MIL-STD-348A	MIL-STD-348A
Impedance	50 Ohms	50 Ohms
Configuration	Straight	Straight
Contact Material and Plating	Brass, Gold	Brass, Gold
Contact Plating Specification	30µ in minimum	30 µin minimum
Dielectric Type	PTFE	PTFE
Body Material and Plating	Brass, Nickel	Brass, Nickel
Body Plating Specification	100µ in minimum	100 µin minimum

N Female Bulkhead to SMB Jack Bulkhead Cable Using RG316 Coax



PE3W18838

Environmental Specifications

Operating Range Temperature -55 to +165 deg C

Compliance Certifications (see [product page](#) for current document)

Plotted and Other Data

Notes:

Typical Performance Data

How to Order

Part Number Configuration: **PE3W18838 - xx uu**

PE3W18838: Base Number
 - xx: Length
 uu: Unit of Measure:
 cm = Centimeters
 <blank> = Inches

Example: PE3W18838-12 = 12 inches long cable
 PE3W18838-100cm = 100 cm long cable

N Female Bulkhead to SMB Jack Bulkhead Cable Using RG316 Coax from Pasternack Enterprises has same day shipment for domestic and International orders. Our RF, microwave and millimeter wave products maintain a 99.4% availability and are part of the broadest selection in the industry.

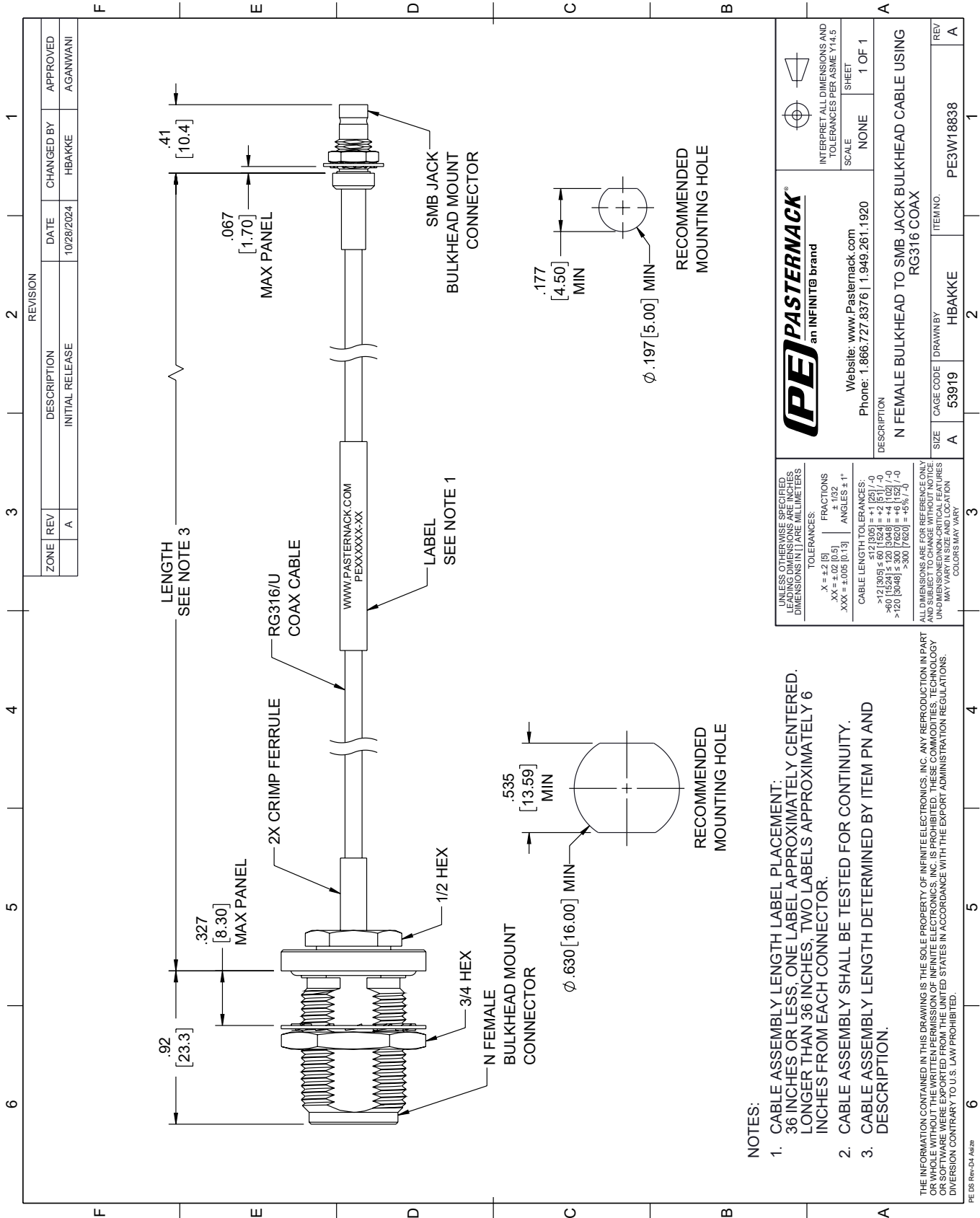
Click the following link (or enter part number in "SEARCH" on website) to obtain additional part information including price, inventory and certifications: [N Female Bulkhead to SMB Jack Bulkhead Cable Using RG316 Coax PE3W18838](#)

URL: <https://www.pasternack.com/n-female-bulkhead-to-smb-jack-bulkhead-cable-using-rg316-pe3w18838-p.aspx>

The information contained within this document is accurate to the best of our knowledge and representative of the part described herein. It may be necessary to make modifications to the part and/or the documentation of the part in order to implement improvements. Pasternack Enterprises reserves the right to make such changes as required. Unless otherwise stated, all specifications are nominal. Pasternack Enterprises does not make any representation or warranty regarding the suitability of the part described herein for any particular purpose, and Pasternack Enterprises does not assume liability arising out of the use of any part or document.

PE3W18838 CAD Drawing

N Female Bulkhead to SMB Jack Bulkhead Cable Using RG316 Coax



NOTES:

1. CABLE ASSEMBLY LENGTH LABEL PLACEMENT: 36 INCHES OR LESS, ONE LABEL APPROXIMATELY CENTERED. LONGER THAN 36 INCHES, TWO LABELS APPROXIMATELY 6 INCHES FROM EACH CONNECTOR.
2. CABLE ASSEMBLY SHALL BE TESTED FOR CONTINUITY.
3. CABLE ASSEMBLY LENGTH DETERMINED BY ITEM PN AND DESCRIPTION.

THE INFORMATION CONTAINED IN THIS DRAWING IS THE SOLE PROPERTY OF INFINITE ELECTRONICS, INC. ANY REPRODUCTION IN PART OR WHOLE WITHOUT THE WRITTEN PERMISSION OF INFINITE ELECTRONICS, INC. IS PROHIBITED. THESE COMMODITIES, TECHNOLOGY OR SOFTWARE WERE EXPORTED FROM THE UNITED STATES IN ACCORDANCE WITH THE EXPORT ADMINISTRATION REGULATIONS. DIVERSION CONTRARY TO U.S. LAW PROHIBITED.

<p>UNLESS OTHERWISE SPECIFIED, LEADING DIMENSIONS ARE IN INCHES. DIMENSIONS IN [] ARE MILLIMETERS.</p> <p>TOLERANCES:</p> <p>X = ±.2 [5] FRACTIONS ± 1/32</p> <p>.XX = ±.02 [0.5] ANGLES ± 1°</p> <p>.XXX = ±.005 [0.13]</p> <p>CABLE LENGTH TOLERANCES:</p> <p>>12 [305] ≤ 60 [1524] = ±.1 [25] / -0</p> <p>>60 [1524] ≤ 120 [3048] = ±.4 [102] / -0</p> <p>>120 [3048] ≤ 300 [7620] = ±.6 [152] / -0</p>		<p>PE PASTERNAK an INFINITI[®] brand</p> <p>Website: www.Pasternack.com Phone: 1.866.727.8376 1.949.261.1920</p>		<p>INTERPRET ALL DIMENSIONS AND TOLERANCES PER ASME Y14.5</p> <p>SCALE: NONE</p> <p>SHEET: 1 OF 1</p>
<p>DESCRIPTION: N FEMALE BULKHEAD TO SMB JACK BULKHEAD CABLE USING RG316 COAX</p>				
SIZE: A	CAGE CODE: 53919	DRAWN BY: HBAKKE	ITEM NO.: PE3W18838	
REV: A	REV: A		REV: A	