



12G SDI 75 Ohm 1.0/2.3 Female Right Angle Bulkhead Mount Connector Solder Attachment Thru Hole PCB

RF Connectors Technical Data Sheet

PE40018

Configuration

- 1.0/2.3 Female Connector
- 75 Ohms
- Right Angle Body Geometry
- Connector Interface Types: Thru Hole
- Bulkhead

Features

- Max. Operating Frequency 12 GHz
- Gold Plated Brass Contact
- 10 µin minimum contact plating
- Meets SMPTE ST 2082-1
- Backwards Compatible with 2081-1
- 12Gb/s Transmission
- Cost Effective
- Designed for High Density Applications

Applications

- General Purpose Test
- Rack and Panel Mount Applications
- PCB Applications
- 12G-SDI, Video, and Broadband UHDTV
- Broadband Internet Delivery
- Broadcast A/V
- 4K/8K Video Equipment
- Medical Equipment Requiring High Speed Video
- HD Cameras

Description

Pasternack's PE40018 Right Angle, 1.0/2.3, Standard, connector with solder attachment for Thru Hole PCB is part of our full line of RF components available for same-day shipping. Our 1.0/2.3 female connector operates up to a maximum frequency of 12 GHz. Its right angle body geometry allows for easier connections in tight spaces. This 1.0/2.3 bulkhead connector allows designers to create external connections on their product enclosures, and can be used in a variety of other rack mount and panel mount applications. Pasternack's 12G-SDI 1.0/2.3 connector PE40018 utilizes 12Gb/s data transfer rates to enable high resolution uncompressed video signal transmission. These products offer 4K and Ultra-HD quality signals that meet SMPTE ST 2082-1. These 75 Ohm connectors are available in PCB edge-mount, straight, or right angle configurations, as well as coaxial connectors to be used in industry standard cable assemblies.

Our 75 ohm 1.0/2.3 female right angle bulkhead connector PE40018 datasheet specifications and drawing with dimensions are shown below in this PDF. Pasternack's broad catalog of RF, microwave and millimeter wave connectors allows designers to configure and customize their signal connections however they like. Whether the need is to provide an I/O for a board design, or simply create a custom cable assembly configuration, Pasternack has the right connector for the job. Pasternack can also expertly build your custom cable assemblies for you and ship same-day.

Electrical Specifications

Description	Minimum	Typical	Maximum	Units
Frequency Range	DC		12	GHz
Impedance		75		Ohms

Mechanical Specifications

Size	
Length	0.76 in [19.30 mm]
Width	0.44 in [11.07 mm]

Click the following link (or enter part number in "SEARCH" on website) to obtain additional part information including price, inventory and certifications: [12G SDI 75 Ohm 1.0/2.3 Female Right Angle Bulkhead Mount Connector Solder Attachment Thru Hole PCB PE40018](#)



12G SDI 75 Ohm 1.0/2.3 Female Right Angle Bulkhead Mount Connector Solder Attachment Thru Hole PCB

RF Connectors
Technical Data Sheet

PE40018

Height	0.28 in [7.01 mm]
Weight	0.05 lbs [22.68 g]

Material Specifications

Description	Material	Plating
Contact	Brass	Gold 10 µin minimum
Insulation	PTFE	
Outer Conductor	Brass	Gold 3 µin minimum
Body	Brass	Nickel 100 µin minimum

Environmental Specifications

Compliance Certifications (see [product page](#) for current document)

Plotted and Other Data

Notes:

12G SDI 75 Ohm 1.0/2.3 Female Right Angle Bulkhead Mount Connector Solder Attachment Thru Hole PCB from Pasternack Enterprises has same day shipment for domestic and International orders. Our RF, microwave and millimeter wave products maintain a 99.4% availability and are part of the broadest selection in the industry.

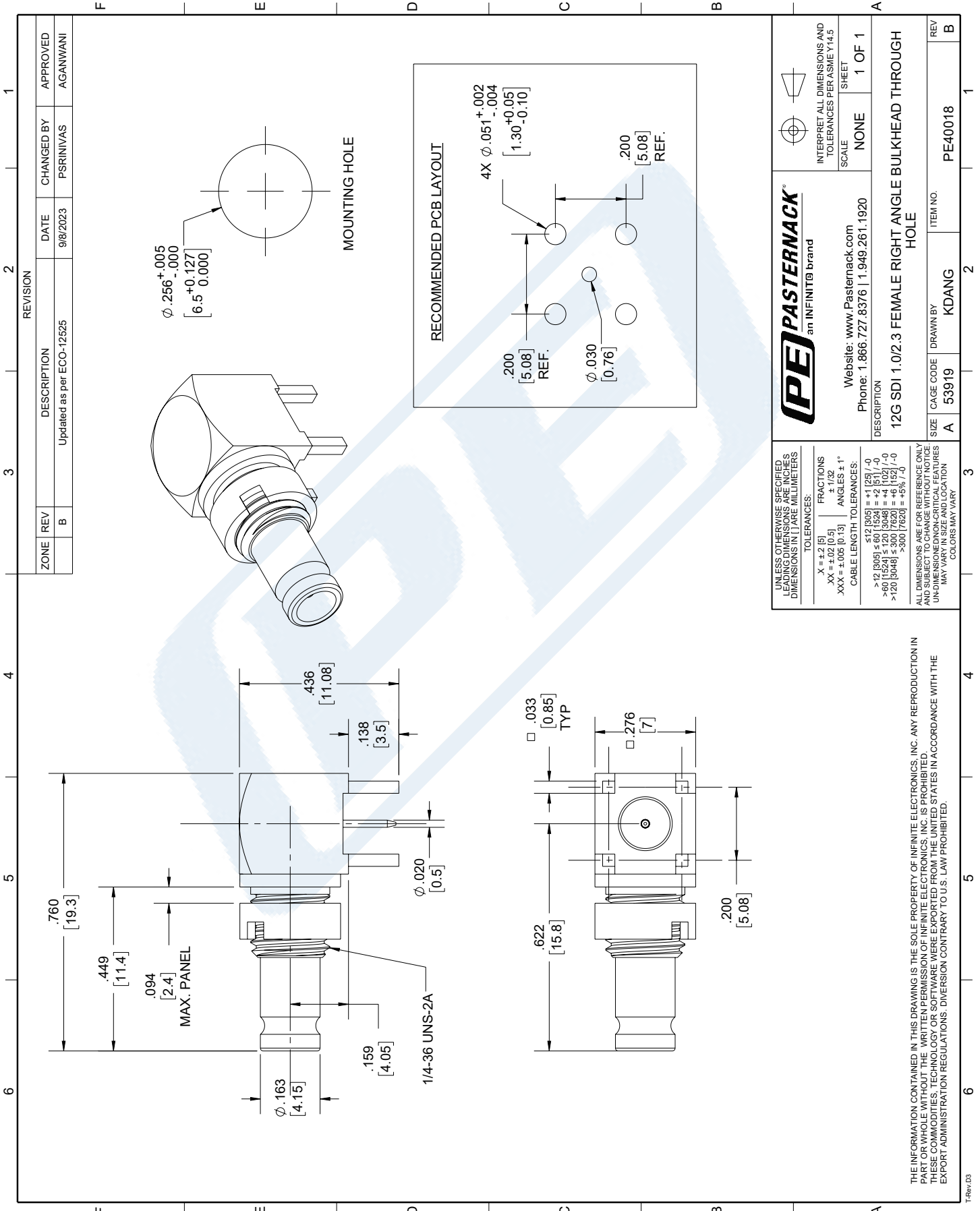
Click the following link (or enter part number in "SEARCH" on website) to obtain additional part information including price, inventory and certifications: [12G SDI 75 Ohm 1.0/2.3 Female Right Angle Bulkhead Mount Connector Solder Attachment Thru Hole PCB PE40018](#)

URL: <https://www.pasternack.com/1.0-2.3-female-pcb-connector-pe40018-p.aspx>

The information contained in this document is accurate to the best of our knowledge and representative of the part described herein. It may be necessary to make modifications to the part and/or the documentation of the part, in order to implement improvements. Pasternack reserves the right to make such changes as required. Unless otherwise stated, all specifications are nominal. Pasternack does not make any representation or warranty regarding the suitability of the part described herein for any particular purpose, and Pasternack does not assume any liability arising out of the use of any part or documentation.

PE40018 CAD Drawing

12G SDI 75 Ohm 1.0/2.3 Female Right Angle Bulkhead Mount Connector Solder Attachment Thru Hole PCB



(PE) PASTERNAK
an INFINITIB brand

Website: www.Pasternack.com
Phone: 1.866.727.8376 | 1.949.261.1920

INTERPRET ALL DIMENSIONS AND TOLERANCES PER ASME Y14.5
SCALE NONE SHEET 1 OF 1

DESCRIPTION
12G SDI 1.0/2.3 FEMALE RIGHT ANGLE BULKHEAD THROUGH HOLE

SIZE	CAGE CODE	DRAWN BY	ITEM NO.
A	53919	KDANG	PE40018

REV B