



RT SMA Female Bulkhead Connector Crimp/Solder Attachment  
 For RG55, RG141, RG142, RG223, RG400, .235 inch D Hole

TECHNICAL DATA SHEET

PE44194

**RT SMA Female Bulkhead Connector Crimp/Solder Attachment For RG55, RG141, RG142, RG223, RG400, .235 inch D Hole**

**Configuration**

Connector	SMA Female Reverse Thread
Connector Interface Type	RG55, RG141, RG142, RG223, RG400
Cable Attachment Method (Shield/Contact)	Crimp/Solder
Body Style	Straight
Mount Method	Bulkhead

**Electrical Specifications**

Impedance, Ohms	50
-----------------	----

**Mechanical Specifications**

**Size**

Length, in [mm]	1 [25.4]
Width/Dia., in [mm]	0.312 [7.92]
Weight, lbs [g]	0.009 [4.08]

**Connector**

Type	SMA Female Reverse Thread
Contact Material and Plating	Gold
Body Material and Plating	Brass, Nickel
Dielectric Type	Teflon

**Compliance Certifications** (visit [www.Pasternack.com](http://www.Pasternack.com) for current document)

RoHS Compliant	Yes
----------------	-----

**Plotted and Other Data**

Notes:	Values at 25 °C, sea level
--------	----------------------------

RT SMA Female Bulkhead Connector Crimp/Solder Attachment For RG55, RG141, RG142, RG223, RG400, .235 inch D Hole from Pasternack Enterprises has same day shipment for domestic and International orders. Our RF, microwave and fiber optic products maintain a 99% availability and are part of the broadest selection in the industry.

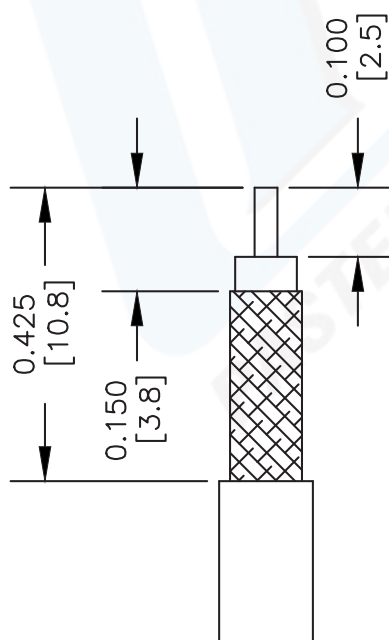
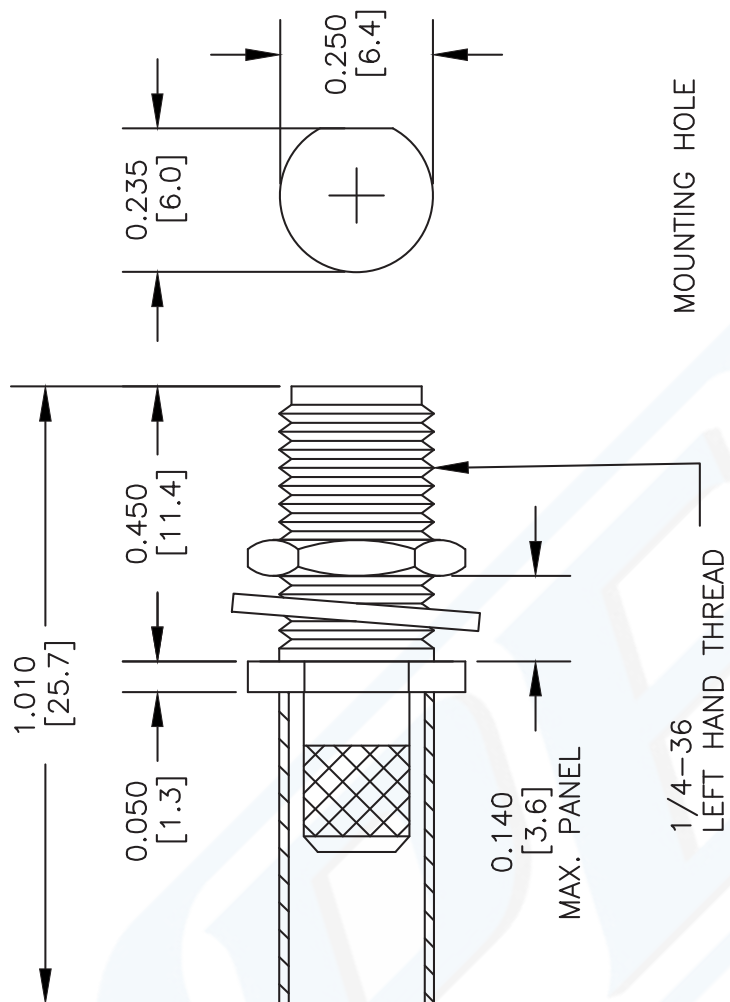
Click the following link (or enter part number in "SEARCH" on website) to obtain additional part information including price, inventory and certifications: [RT SMA Female Bulkhead Connector Crimp/Solder Attachment For RG55, RG141, RG142, RG223, RG400, .235 inch D Hole PE44194](http://www.pasternack.com/sma-female-reverse-thread-rg55-rg141-rg142-rg223-rg400-connector-pe44194-p.aspx)

URL: <http://www.pasternack.com/sma-female-reverse-thread-rg55-rg141-rg142-rg223-rg400-connector-pe44194-p.aspx>

The information contained in this document is accurate to the best of our knowledge and representative of the part described herein. It may be necessary to make modifications to the part and/or the documentation of the part, in order to implement improvements. Pasternack reserves the right to make such changes as required. Unless otherwise stated, all specifications are nominal.

# PE44194 CAD Drawing

RT SMA Female Bulkhead Connector Crimp/Solder Attachment For  
RG55, RG141, RG142, RG223, RG400, .235 inch D Hole



STRIPPING DIMENSIONS

CRIMP SIZE REQUIRED

CONTACT: SOLDER  
FERRULE: .213" HEX CRIMP TOOL

DWG TITLE

**PE44194**

NOTES:  
1. UNLESS OTHERWISE SPECIFIED ALL DIMENSIONS ARE NOMINAL.  
2. ALL SPECIFICATIONS ARE SUBJECT TO CHANGE WITHOUT NOTICE AT ANY TIME.  
3. DIMENSIONS ARE IN INCHES [mm].  
4. FITS MIL-C-17 AND EQUIVALENT CABLES.

FSCM NO. 53919

CAD FILE 070202

SCALE N/A

SIZE A

127

**PE PASTERNAK®**

Pasternack Enterprises, Inc.  
P.O. Box 16759 | Irvine | CA | 92623  
Phone: (949) 261-1920 | Fax: (949) 261-7451  
Website: www.pasternack.com | E-Mail: sales@pasternack.com