



75 Ohm BNC Male Connector Solder Attachment 4 Hole Flange Solder Cup Terminal, .531 inch Hole Spacing

TECHNICAL DATA SHEET

PE4625

75 Ohm BNC Male Connector Solder Attachment 4 Hole Flange Solder Cup Terminal, .531 inch Hole Spacing

Configuration

Connector	BNC Male
Connector Interface Type	Solder Cup
Cable Attachment Method (Shield/Contact)	Solder
Body Style	Straight
Mount Method	4 Hole Flange

Electrical Specifications

Impedance, Ohms	75
-----------------	----

Mechanical Specifications

Size

Length, in [mm]	1.21 [30.73]
Width/Dia., in [mm]	0.75 [19.05]
Height, in [mm]	0.75 [19.05]
Weight, lbs [g]	0.041 [18.6]

Connector

Type	BNC Male
Contact Material and Plating	Brass, Gold
Coupling Nut Material and Plating	Brass, Nickel
Body Material and Plating	Brass, Nickel
Dielectric Type	Teflon

Compliance Certifications (visit www.Pasternack.com for current document)

RoHS Compliant	Yes
----------------	-----

Click the following link (or enter part number in "SEARCH" on website) to obtain additional part information including price, inventory and certifications: [75 Ohm BNC Male Connector Solder Attachment 4 Hole Flange Solder Cup Terminal, .531 inch Hole Spacing PE4625](#)

The information contained in this document is accurate to the best of our knowledge and representative of the part described herein. It may be necessary to make modifications to the part and/or the documentation of the part, in order to implement improvements. Pasternack reserves the right to make such changes as required. Unless otherwise stated, all specifications are nominal.



75 Ohm BNC Male Connector Solder Attachment 4 Hole
Flange Solder Cup Terminal, .531 inch Hole Spacing

TECHNICAL DATA SHEET

PE4625

Plotted and Other Data

Notes:

Values at 25 °C, sea level

75 Ohm BNC Male Connector Solder Attachment 4 Hole Flange Solder Cup Terminal, .531 inch Hole Spacing from Pasternack Enterprises has same day shipment for domestic and International orders. Our RF, microwave and fiber optic products maintain a 99% availability and are part of the broadest selection in the industry.

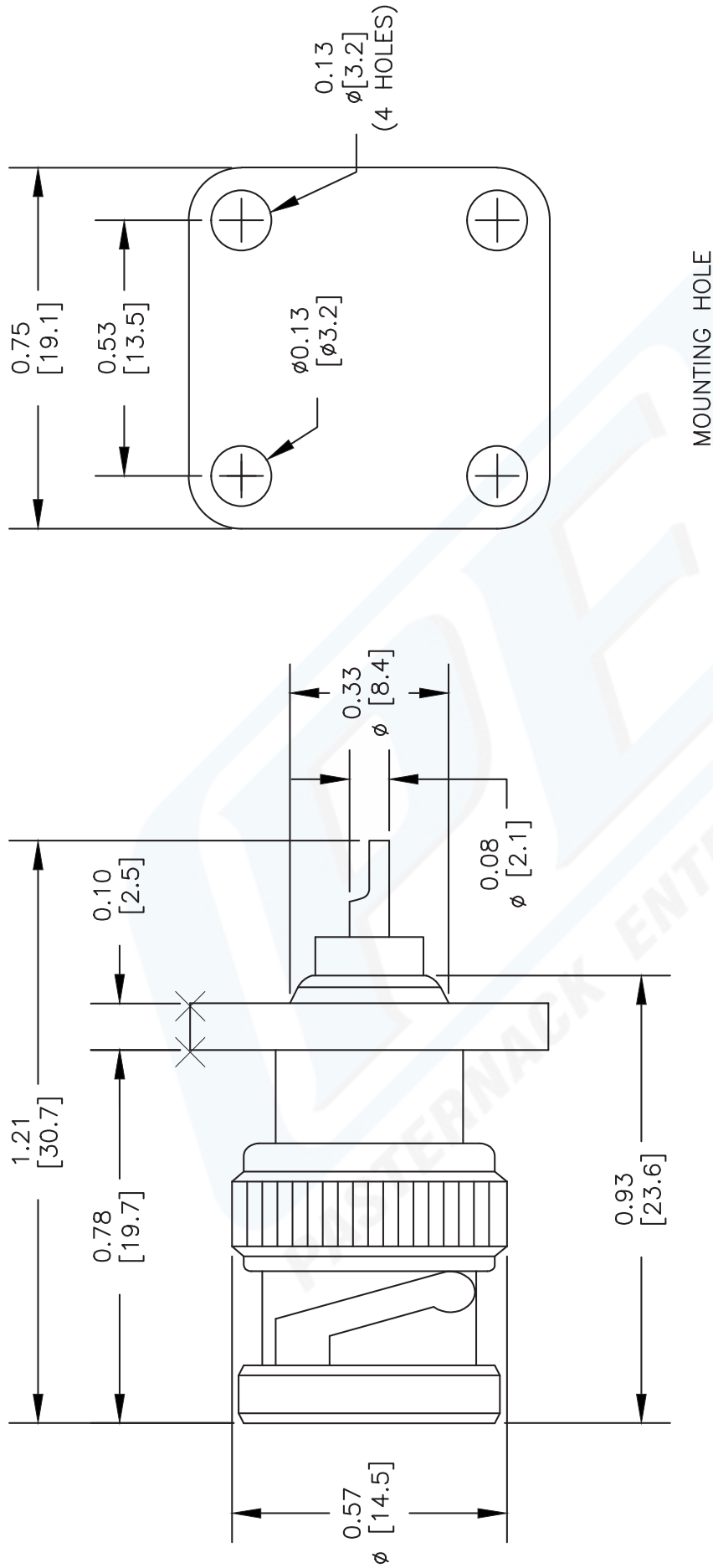
Click the following link (or enter part number in "SEARCH" on website) to obtain additional part information including price, inventory and certifications: [75 Ohm BNC Male Connector Solder Attachment 4 Hole Flange Solder Cup Terminal, .531 inch Hole Spacing PE4625](#)

URL: <http://www.pasternack.com/bnc-male-standard-solder-cup-terminal-connector-pe4625-p.aspx>

The information contained in this document is accurate to the best of our knowledge and representative of the part described herein. It may be necessary to make modifications to the part and/or the documentation of the part, in order to implement improvements. Pasternack reserves the right to make such changes as required. Unless otherwise stated, all specifications are nominal.

PE4625 CAD Drawing

75 Ohm BNC Male Connector Solder Attachment 4 Hole Flange
Solder Cup Terminal, .531 inch Hole Spacing



DWG TITLE

PE4625

NOTES:
1. UNLESS OTHERWISE SPECIFIED ALL DIMENSIONS ARE NOMINAL.
2. ALL SPECIFICATIONS ARE SUBJECT TO CHANGE WITHOUT NOTICE AT ANY TIME.
3. DIMENSIONS ARE IN INCHES [mm].
4. FITS MIL-C-17 AND EQUIVALENT CABLES.

FSCM NO. 53919

CAD FILE 060302

SCALE N/A

SIZE A

127

PE PASTERNAK®
 Pasternack Enterprises, Inc.
 P.O. Box 16759 | Irvine | CA | 92623
 Phone: (949) 261-1920 | Fax: (949) 261-7451
 Website: www.pasternack.com | E-Mail: sales@pasternack.com