



## SC Female Bulkhead Mount Hermetically Sealed Connector Solder Attachment Eyelet Terminal, .655 inch D Hole

### RF Connectors Technical Data Sheet

PE4980

#### Configuration

- SC Female Connector
- MIL-STD-348
- 50 Ohms
- Straight Body Geometry
- Eyelet Interface Type
- Solder Attachment
- Bulkhead

#### Features

- Silver Plated Contact
- Hermetically Sealed
- Contact plating according to QQ-S-365

#### Applications

- General Purpose Test
- Rack and Panel Mount Applications

#### Description

Pasternack's PE4980 SC female bulkhead mount hermetically sealed connector solder attachment eyelet terminal, .655 inch D hole is part of our full line of RF components available for same-day shipping. This SC bulkhead connector allows designers to create external connections on their product enclosures, and can be used in a variety of other rack mount and panel mount applications.

Our SC female bulkhead connector PE4980 datasheet specifications and drawing with dimensions are shown below in this PDF. Pasternack's broad catalog of RF, microwave and millimeter wave connectors allows designers to configure and customize their signal connections however they like. Whether the need is to provide an I/O for a board design, or simply create a custom cable assembly configuration, Pasternack has the right connector for the job. Pasternack can also expertly build your custom cable connector assemblies for you and ship same-day.

#### Mechanical Specifications

Size	
Length	1.47 in [37.34 mm]
Width/Dia.	0.96 in [24.38 mm]
Weight	0.116 lbs [52.62 g]

#### Material Specifications

Description	Material	Plating
Contact		Silver QQ-S-365
Body	Brass	Nickel QQ-N-290

Click the following link (or enter part number in "SEARCH" on website) to obtain additional part information including price, inventory and certifications: [SC Female Bulkhead Mount Hermetically Sealed Connector Solder Attachment Eyelet Terminal, .655 inch D Hole PE4980](#)



SC Female Bulkhead Mount Hermetically Sealed Connector  
Solder Attachment Eyelet Terminal, .655 inch D Hole

RF Connectors Technical Data Sheet

PE4980

**Compliance Certifications** (see [product page](#) for current document)

**Plotted and Other Data**

Notes:

SC Female Bulkhead Mount Hermetically Sealed Connector Solder Attachment Eyelet Terminal, .655 inch D Hole from Pasternack Enterprises has same day shipment for domestic and International orders. Our RF, microwave and millimeter wave products maintain a 99% availability and are part of the broadest selection in the industry.

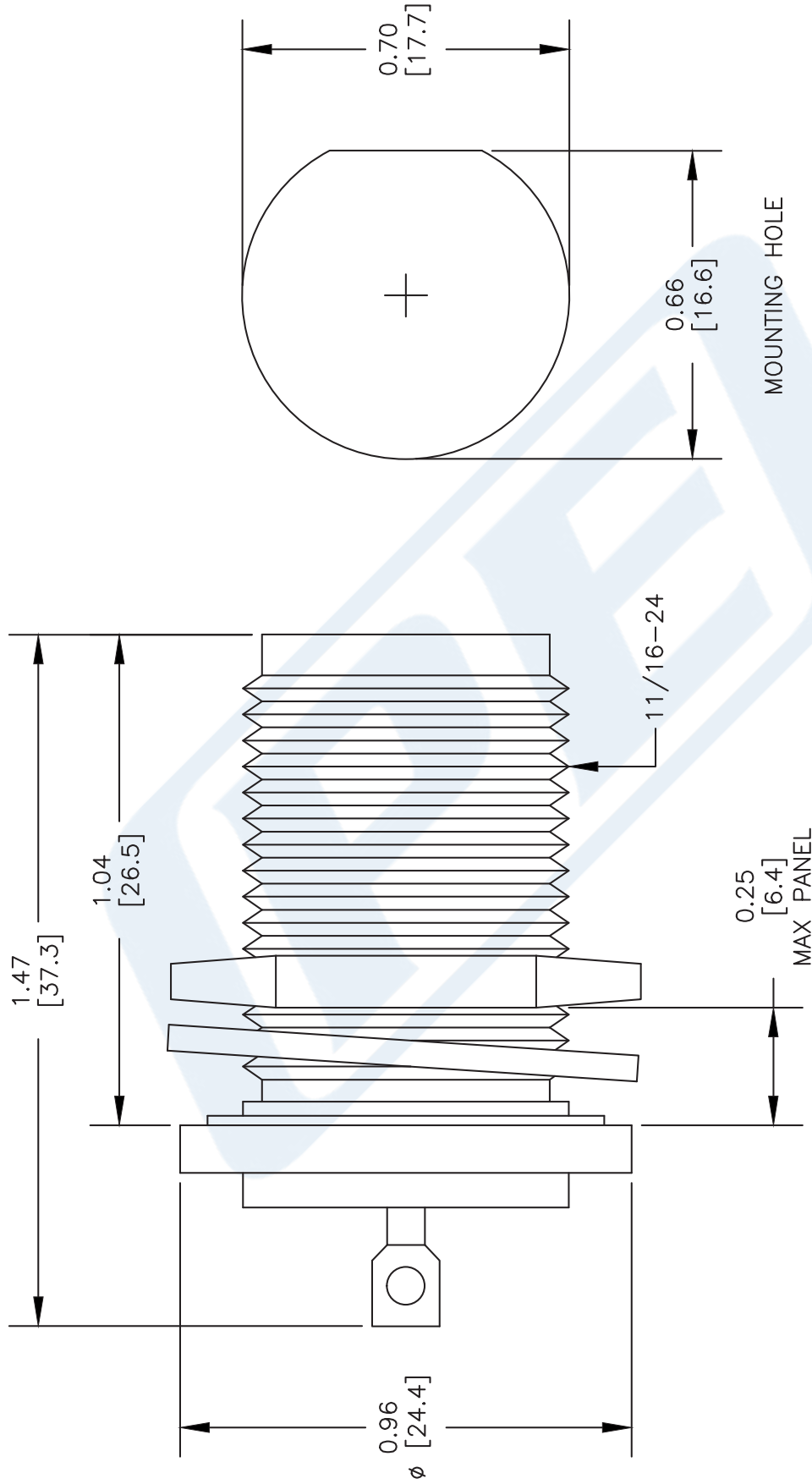
Click the following link (or enter part number in "SEARCH" on website) to obtain additional part information including price, inventory and certifications: [SC Female Bulkhead Mount Hermetically Sealed Connector Solder Attachment Eyelet Terminal, .655 inch D Hole PE4980](#)

URL: <https://www.pasternack.com/sc-female-standard-eyelit-terminal-connector-pe4980-p.aspx>

The information contained in this document is accurate to the best of our knowledge and representative of the part described herein. It may be necessary to make modifications to the part and/or the documentation of the part, in order to implement improvements. Pasternack reserves the right to make such changes as required. Unless otherwise stated, all specifications are nominal. Pasternack does not make any representation or warranty regarding the suitability of the part described herein for any particular purpose, and Pasternack does not assume any liability arising out of the use of any part or documentation.

# PE4980 CAD Drawing

SC Female Bulkhead Mount Hermetically Sealed Connector  
Solder Attachment Eyelet Terminal, .655 inch D Hole



DWG TITLE

**PE4980**

FSCM NO. 53919

NOTES:  
1. UNLESS OTHERWISE SPECIFIED ALL DIMENSIONS ARE NOMINAL.  
2. ALL SPECIFICATIONS ARE SUBJECT TO CHANGE WITHOUT NOTICE AT ANY TIME.  
3. DIMENSIONS ARE IN INCHES [mm].  
4. FITS MIL-C-17 AND EQUIVALENT CABLES.

CAD FILE 030106

SCALE N/A

SIZE A

2233



Pasternack Enterprises, Inc.  
P.O. Box 16759 | Irvine | CA | 92623  
Phone: (949) 261-1920 | Fax: (949) 261-7451  
Website: www.pasternack.com | E-Mail: sales@pasternack.com