

MHV Jack Connector Clamp/Solder Attachment for RG59, RG62, RG71



PE51261

Configuration

- MHV Jack Connector
- 50 Ohms
- Straight Body Geometry
- Connector Interface Types: RG59, RG62, RG71

Features

- Max. Operating Frequency 300 MHz
- Gold Plated Phosphor Bronze Contact
- 4 µin Minimum contact plating

Applications

- General Purpose Test
- Custom Cable Assemblies

Description

Pasternack's PE51261, MHV, Standard, Connector is part of our full line of RF components available for same-day shipping. Our MHV jack connector operates up to a maximum frequency of 300 MHz.

Our MHV jack connector PE51261 datasheet specifications and drawing with dimensions are shown below in this PDF. Pasternack's broad catalog of RF, microwave and millimeter wave connectors allows designers to configure and customize their signal connections however they like. Whether the need is to provide an I/O for a board design, or simply create a custom cable assembly configuration, Pasternack has the right connector for the job. Pasternack can also expertly build your custom cable assemblies for you and ship same-day.

Electrical Specifications

Description	Minimum	Typical	Maximum	Units
Frequency Range	DC		300	MHz
Operating Voltage (AC)			1,600	Vrms
Dielectric Withstanding Voltage (AC)			5,000	Vrms
Inner Conductor DC Resistance			2	mOhms
Outer Conductor DC Resistance			1	mOhms
Insulation Resistance	5,000			MOhms
Impedance		50		Ohms

Mechanical Specifications

Size

Length	1.456693 in [37 mm]
Width	0.433071 in [11 mm]
Height	0.433071 in [11 mm]
Weight	0.0463 lbs [21 g]
Mating Cycles	500 Cycles
Mating Torque	0.6 to 2.5 in-lbs [[0.07 to 0.28 Nm]]
Cable Retention Force	101 lbs [45.81 kg]

MHV Jack Connector Clamp/Solder Attachment for RG59, RG62, RG71



PE51261

Material Specifications

Description	Material	Plating
Contact	Phosphor Bronze	Gold 4 µin Minimum
Insulation	PTFE	
Body	Brass	Copper-Tin-Zinc Alloy 100 µin Minimum
Coupling Nut	Brass	Copper-Tin-Zinc Alloy 100 µin Minimum
Gasket	Silicone	
Washer	Brass	Copper-Tin-Zinc Alloy 100 µin Minimum

Environmental Specifications

Temperature

Operating Range

Thermal Shock

-65 to +165 deg C

MIL-STD-202, Method 107, Condition B

Compliance Certifications (see [product page](#) for current document)

Plotted and Other Data

Notes:

MHV Jack Connector Clamp/Solder Attachment for RG59, RG62, RG71 from Pasternack Enterprises has same day shipment for domestic and International orders. Our RF, microwave and millimeter wave products maintain a 99.4% availability and are part of the broadest selection in the industry.

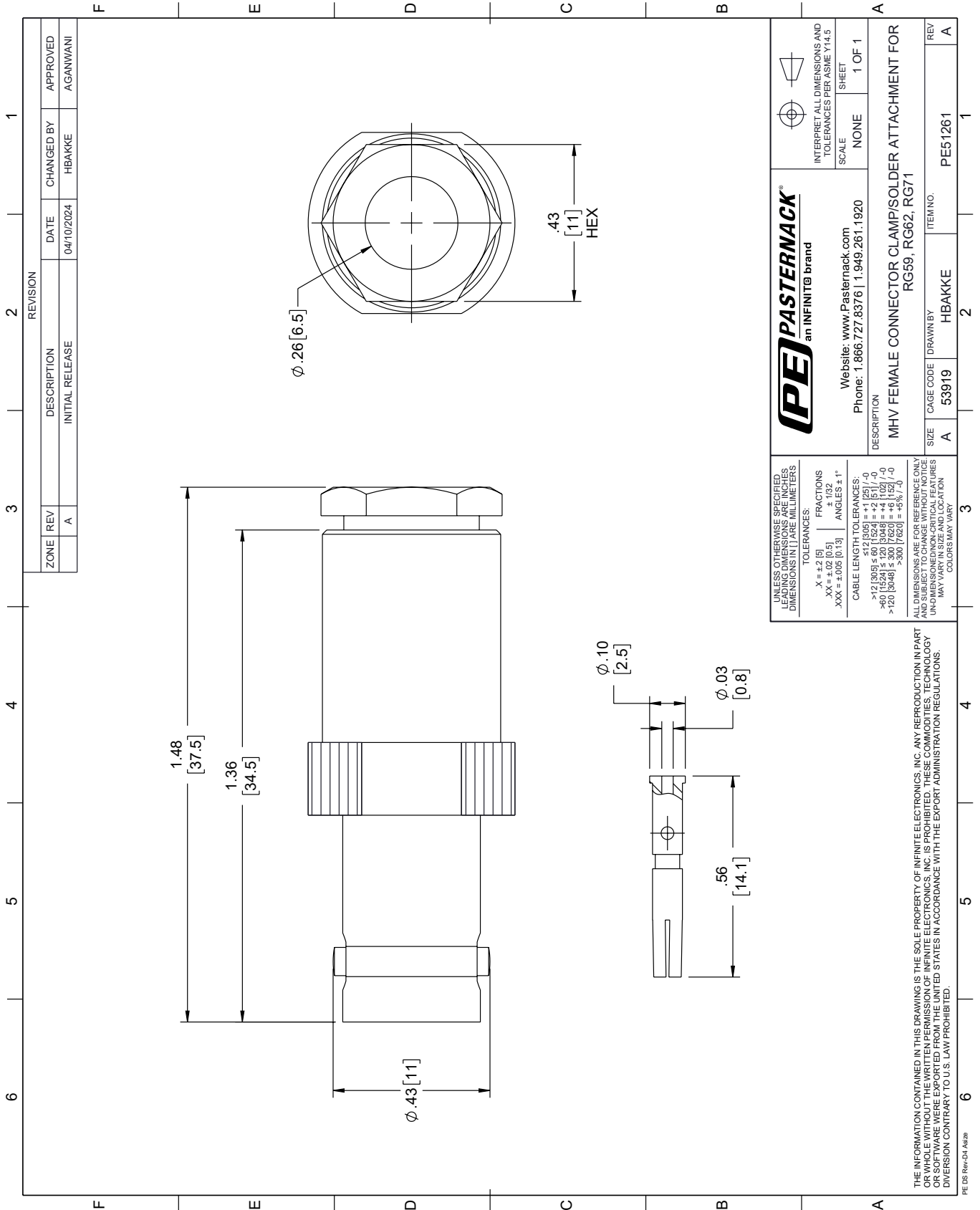
Click the following link (or enter part number in "SEARCH" on website) to obtain additional part information including price, inventory and certifications: [MHV Jack Connector Clamp/Solder Attachment for RG59, RG62, RG71 PE51261](#)

URL: <https://www.pasternack.com/mhv-jack-rg59-rg62-rg71-connector-pe51261-p.aspx>

The information contained within this document is accurate to the best of our knowledge and representative of the part described herein. It may be necessary to make modifications to the part and/or the documentation of the part in order to impliment improvements. Pasternack Enterprises reserves the right to make such changes as required. Unless otherwise stated, all specifications are nominal. Pasternack Enterprises does not make any representation or warranty regarding the suitability of the part described herein for any particular purpose, and Pasternack Enterprises does not assume liability arising out of the use of any part or document.

PE51261 CAD Drawing

MHV Jack Connector Clamp/Solder Attachment for RG59, RG62, RG71



PE PASTERNAK
an INFINITE brand

Website: www.Pasternack.com
 Phone: 1.866.727.8376 | 1.949.261.1920

INTERPRET ALL DIMENSIONS AND TOLERANCES PER ASME Y14.5
 SCALE: NONE
 SHEET: 1 OF 1

DESCRIPTION: MHV FEMALE CONNECTOR CLAMP/SOLDER ATTACHMENT FOR RG59, RG62, RG71

SIZE	CAGE CODE	DRAWN BY	ITEM NO.	REV
A	53919	HBAKKE	PE51261	A