



900 MHz 14 dBi AI Yagi Antenna

Antennas Technical Data Sheet

PE51YA1011

Features

- 14 dBi gain & all weather Anodized Aluminum construction
- Can be installed for either vertical or horizontal polarization
- Solid Aluminum 1/8" elements
- Heavy-duty 1/2" Aluminum boom
- 15 inch coax lead & 1/8" thick plated steel mounting plate

Applications

- 900MHz ISM Band & Wireless LAN systems
- Point to multipoint & Non Line of Sight (NLOS) applications
- 900MHz Cellular and GSM
- RFID & SCADA
- LPWAN, LoRA, IoT, M2M applications

Description

The HyperGain PE51YA1011 High-Performance Yagi Antenna in an economical package combines accurate gain with a wide beam-width, ideally suited for directional applications in the 900MHz ISM and GSM bands. This series of Yagi antennas provides the user with anodized aluminum boom, solid elements, low loss series 400 COAX, and rugged mounting hardware.

Configuration

Design	Yagi
Band Type	Single
Radiation Pattern	Directional
Polarization	Vertical or Horizontal
Cable Type	400 series
Cable Length	15 in [381 mm]
Connector Type	N Female
Number of Ports	1
Lightning Protection	DC Short

Electrical Specifications

Description	Minimum	Typical	Maximum	Units
Input VSWR			1.5:1	
Impedance		50		Ohms
Gain		14		dBi
Front to Back Ratio		15		dB
Input Power			100	Watts

Specifications by Band

Description	Band 1	Band 2	Band 3	Band 4	Band 5	Units
Range	824-960					MHz
Gain	14					dBi
Horizontal Beam Width	31					Degees
Vertical Beam Width	26					Degees
Maximum Input Power	100					Watts

Click the following link (or enter part number in "SEARCH" on website) to obtain additional part information including price, inventory and certifications: [900 MHz 14 dBi AI Yagi Antenna PE51YA1011](#)



900 MHz 14 dBi AI Yagi Antenna

Antennas Technical Data Sheet

PE51YA1011

Mechanical Specifications

Radome Material ABS

Size

Overall Length 55.1 in [139.95 cm]
 Mounting Mast Diameter 2 in [50.80 mm]
 Weight 4.4 lbs [2 kg]

Environmental Specifications

Temperature

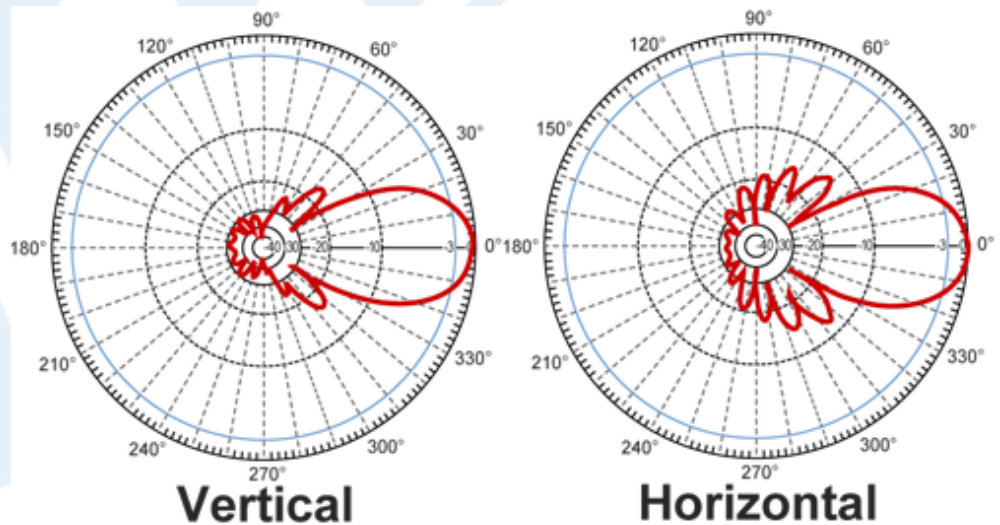
Operating Range -40 to +85 deg C
 Wind Loading 135 MPH [217.26 KPH]

Compliance Certifications (see [product page](#) for current document)

Plotted and Other Data

Notes:

RF Antenna Gain Patterns



Click the following link (or enter part number in "SEARCH" on website) to obtain additional part information including price, inventory and certifications: [900 MHz 14 dBi AI Yagi Antenna PE51YA1011](#)



900 MHz 14 dBi AI Yagi Antenna

Antennas Technical Data Sheet

PE51YA1011

900 MHz 14 dBi AI Yagi Antenna from Pasternack Enterprises has same day shipment for domestic and International orders. Our RF, microwave and millimeter wave products maintain a 99.4% availability and are part of the broadest selection in the industry.

Click the following link (or enter part number in "SEARCH" on website) to obtain additional part information including price, inventory and certifications: [900 MHz 14 dBi AI Yagi Antenna PE51YA1011](https://www.pasternack.com/single-antenna-14-dbi-gain-n-pe51ya1011-p.aspx)

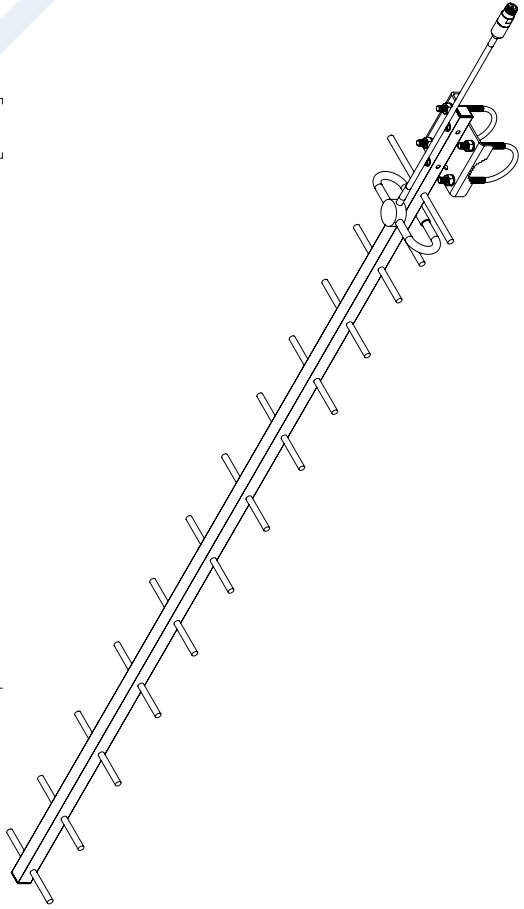
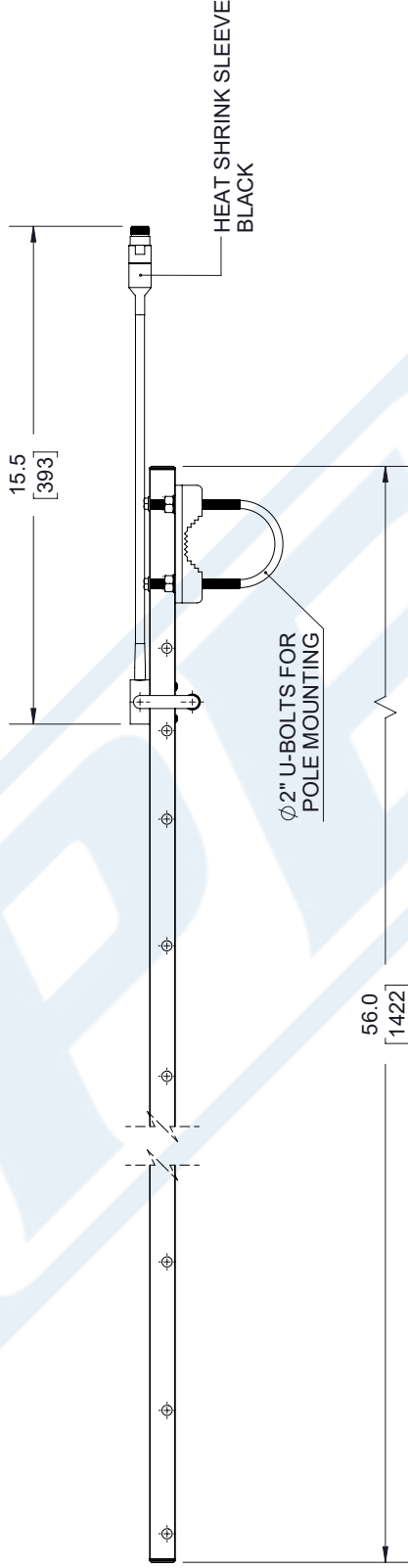
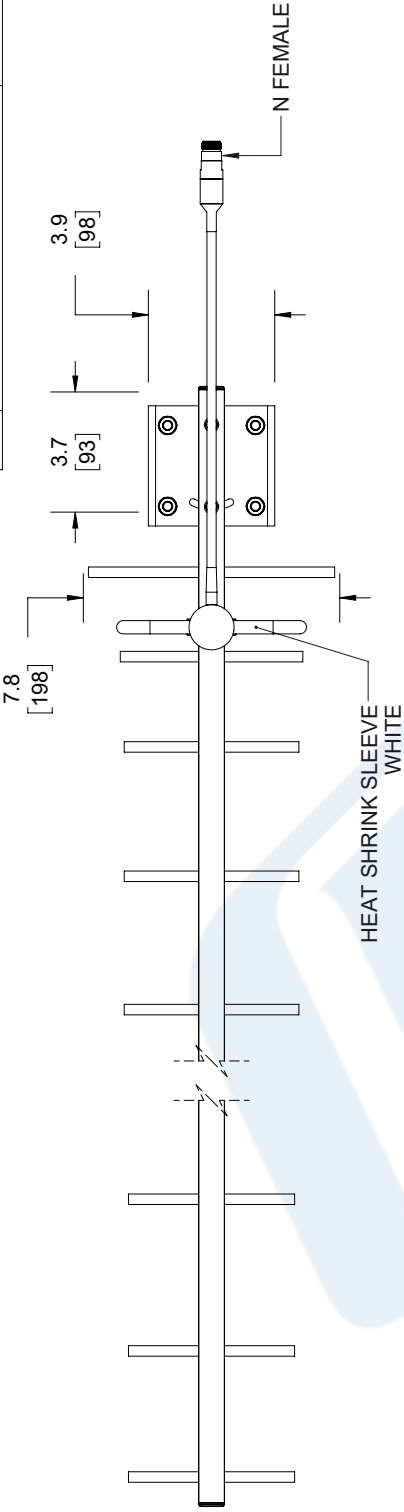
URL: <https://www.pasternack.com/single-antenna-14-dbi-gain-n-pe51ya1011-p.aspx>

The information contained in this document is accurate to the best of our knowledge and representative of the part described herein. It may be necessary to make modifications to the part and/or the documentation of the part, in order to implement improvements. Pasternack reserves the right to make such changes as required. Unless otherwise stated, all specifications are nominal. Pasternack does not make any representation or warranty regarding the suitability of the part described herein for any particular purpose, and Pasternack does not assume any liability arising out of the use of any part or documentation.

PE51YA1011 CAD Drawing

900 MHz 14 dBi AI Yagi Antenna

REV.	DESCRIPTION	DATE	APPROVED
A	INITIAL RELEASE	2/21/2020	S.ELLIS



THIRD-ANGLE PROJECTION

THE INFORMATION AND DESIGN IN THIS DOCUMENT IS THE PROPERTY OF PASTERNAK CORPORATION. ALL RIGHTS RESERVED.

SHEET 1 OF 1

SCALE N/A

REV A

PE PASTERNAK
an INFINIT brand

Pasternack Enterprises, Inc.
P. O. Box 16759, Irvine, CA 92623.
Phone: 1.949.261.1920 | 1.866.727.8376
Fax: 1.949.261.7451
Website: www.pasternack.com
E-mail: sales@pasternack.com

ITEM NO PE51YA1011

SIZE A

CAGE CODE 53919

DRAWN BY K.DANG

UNLESS OTHERWISE SPECIFIED LEADING DIMENSIONS ARE INCHES DIMENSIONS IN [] ARE MILLIMETERS

TOLERANCES:

.X = ±.2 [5.08] FRACTIONS ± 1/32
.XX = ±.02 [.51] ± 1/32
.XXX = ±.005 [.13] ANGLES ± 1°

CABLE LENGTH (L) TOLERANCES:

L ≤ 12 [305] = +1 [25] / -0
12 [305] < L ≤ 60 [1524] = +2 [51] / -0
60 [1524] < L ≤ 120 [3048] = +4 [102] / -0
120 [3048] < L ≤ 300 [7620] = +6 [152] / -0
300 [7620] < L = +5% / L / -0

ALL DIMENSIONS SHOWN ARE FOR REFERENCE ONLY.

THESE COMMODITIES, TECHNOLOGY OR SOFTWARE WERE EXPORTED FROM THE UNITED STATES IN ACCORDANCE WITH THE EXPORT ADMINISTRATION REGULATIONS. DIVERSION CONTRARY TO U.S. LAW PROHIBITED.